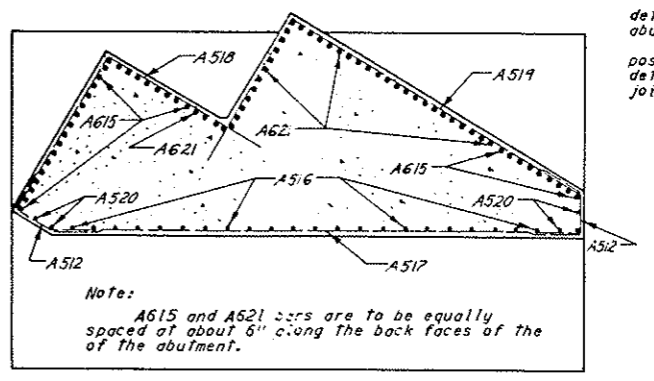
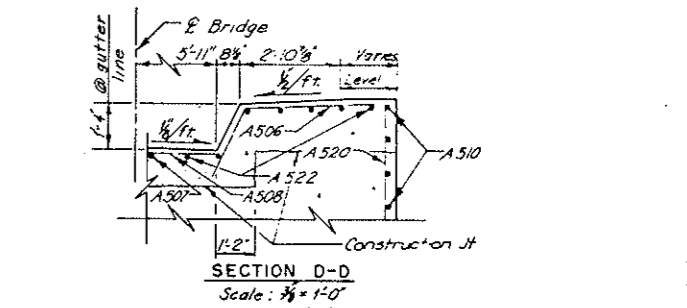
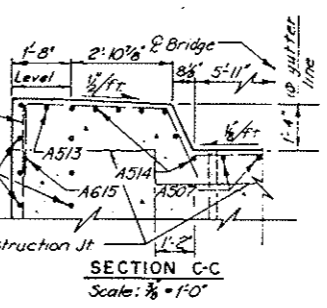
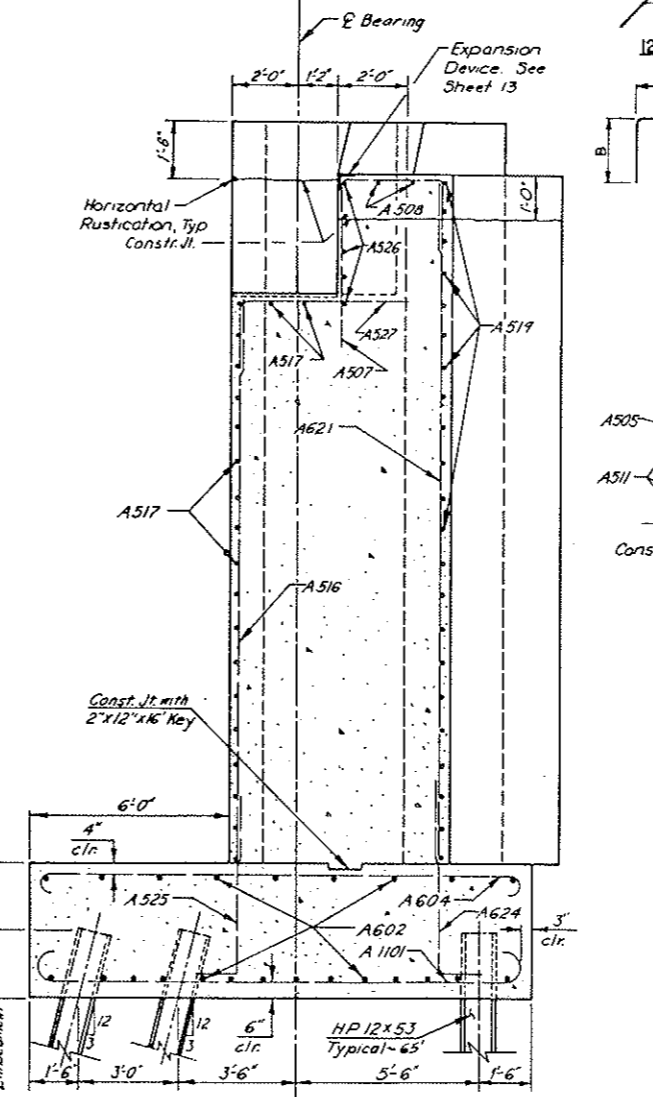
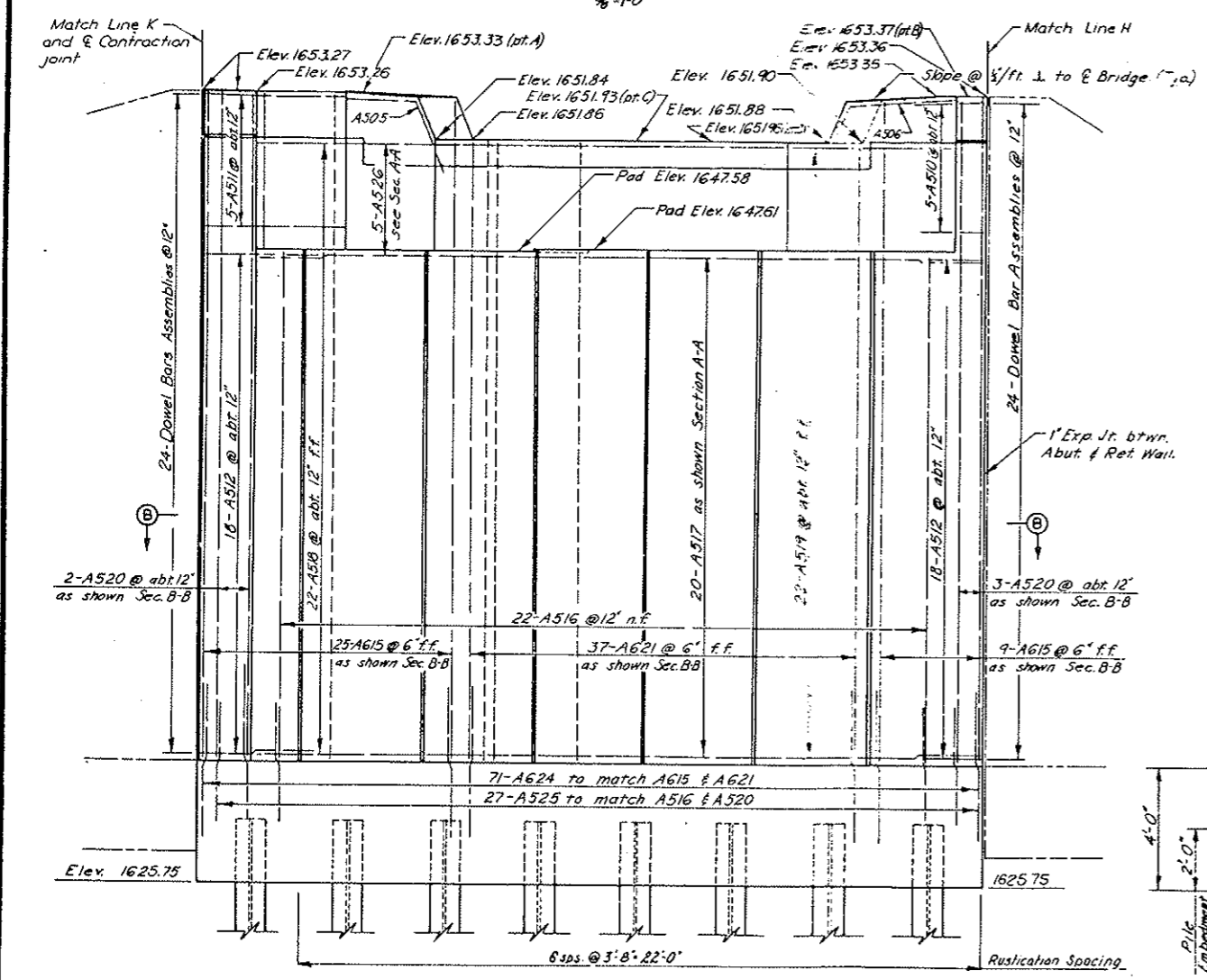


BILL OF REINFORCEMENT - ABUTMENT 3A									
BAR NO.	SIZE	LENGTH	TYPE	DIMENSIONS			LOCATION		
				A	B	C			
A1101	41	11	17-8	100	14-5	1-7	Footing		
A602	23	6	25-4	STR.			Footing		
A604	14	6	15-10	100	14-6	0-9	Footing		
A505	4	5	10-0	144	4-2	2-3	Backwall		
A506	3	5	7-10	109	3-5	5	Backwall		
A507	1 Ser.	5	9-9	113	2-0	5-5	Backwall		
	of 11		14-9		7-0				
A508	2	5	12-6	STR.			Backwall		
A509	1 Ser.	5	7-3	STR.			Backwall		
	of 5		7-9						
A510	5	5	7-6	133	0-9	1-9	Maskwall		
A511	5	5	17-4	105	1-8	7-10	Maskwall		
A512	36	5	6-9	129	2-6	1-8	Horizontal		
A513	1	5	11-10	105	7-10	2-0	Maskwall		
A514	6	5	12-3	113	2-2	7-9	Backwall		
A615	34	6	23-2	STR.			Vertical		
A516	22	5	17-6	STR.			Vertical		
A517	21	5	23-6	STR.			Horiz. and Pad		
A518	22	5	16-0	104	7-10	8-2	Horizontal		
A519	22	5	22-6	104	7-6	15-0	Horizontal		
A520	5	5	23-2	STR.			Vertical		
A621	37	6	21-9	STR.			Vertical		
A522	7	5	11-9	113	1-10	7-3	Backwall		
A523	5	5	11-6	113	1-5	7-3	Maskwall		
A524	71	6	7-0	104	1-0	6-0	Footing Dowel		
A525	27	5	6-9	104	1-0	5-9	Footing Dowel		
A526	5	5	22-9	138	5-0	11-10	Backwall		
A527	20	5	7-3	104	2-3	5-0	Pad		
A528	2	5	5-0	104	2-3	2-3	Pad		
A529	1 Ser.	5	6-3	104	2-3	4-0	Pad		
	of 3		9-3		7-0				



Note: See sheet 13 for expansion joint details between superstructure and abutment.
See sheet 32 for railing corner post detail and dowel bar assembly details and expansion and contraction joints in wall.

QUANTITIES	
Reinforcing Steel	11,483 Lbs
Steel Piling (HP 12x53)	1,365 Lin Ft
Class BE-1 Mod Concrete	174.5 Cu Yd
Class I Excavation	104 Cu Yd
Steel Test Piles (HP 12x53)	7.5 Each

ABUTMENT 3A DETAILS
BRIDGE A
BURLINGTON NORTHERN, INC.
RAILWAY UNDERPASSES

U.S. HIGHWAY NO. 10
MORTON COUNTY