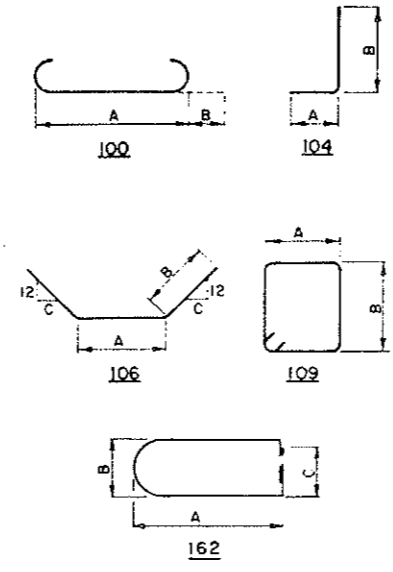
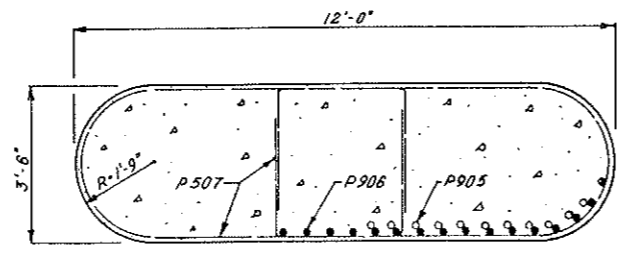
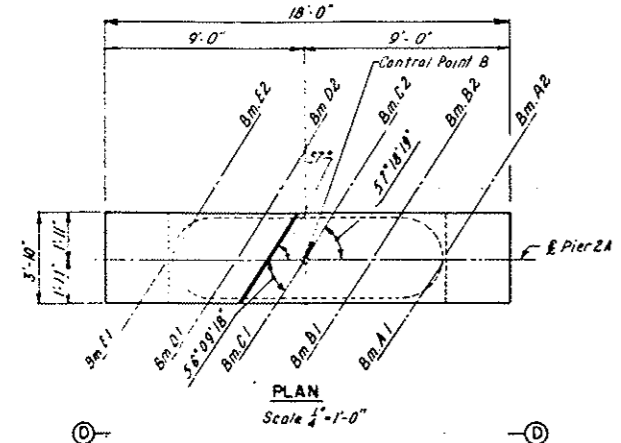
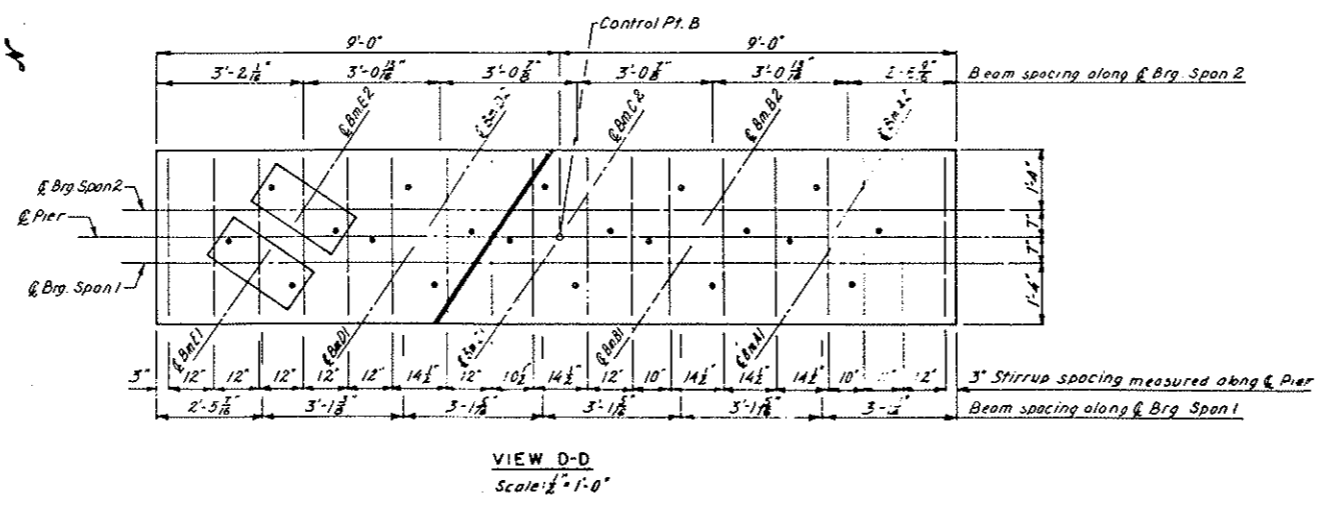
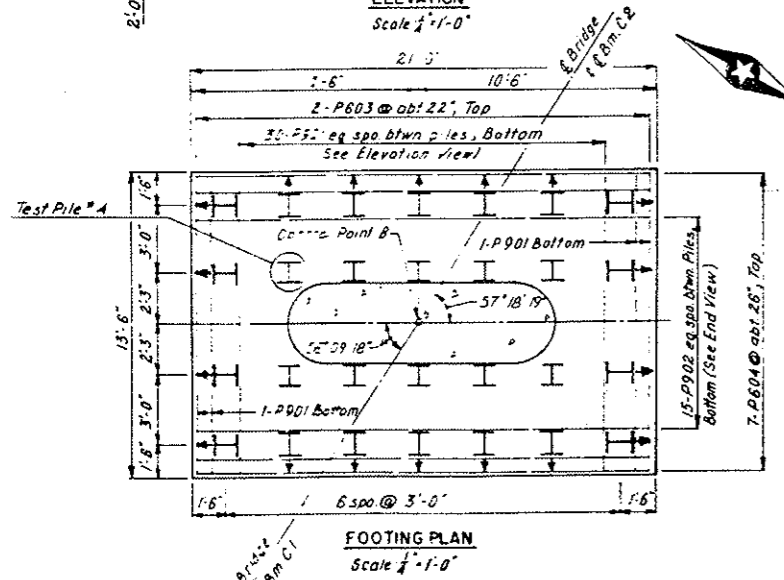
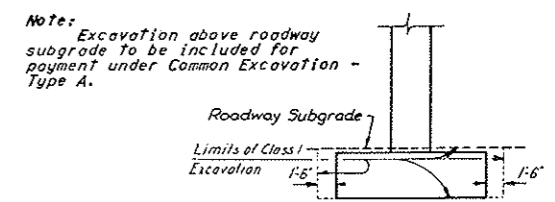
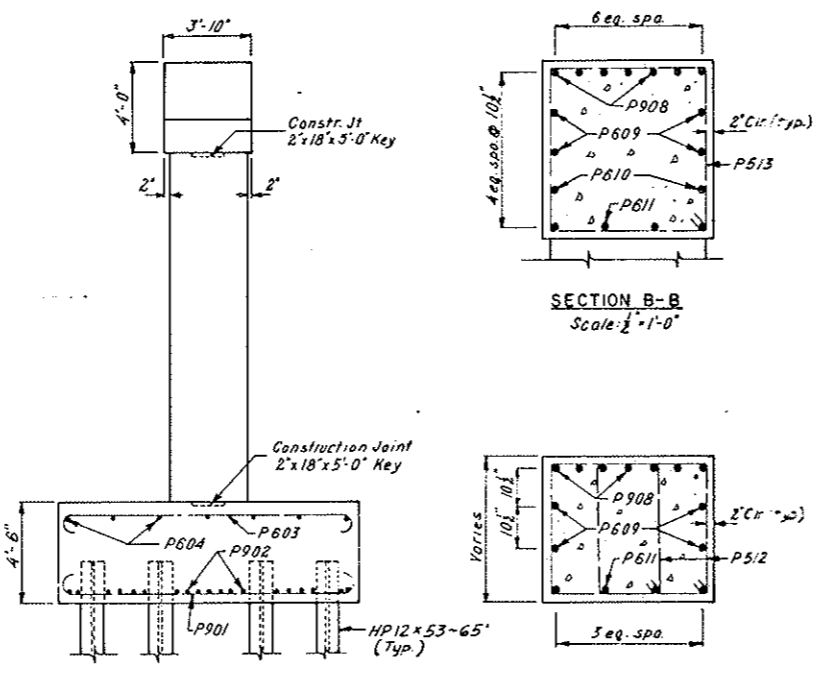
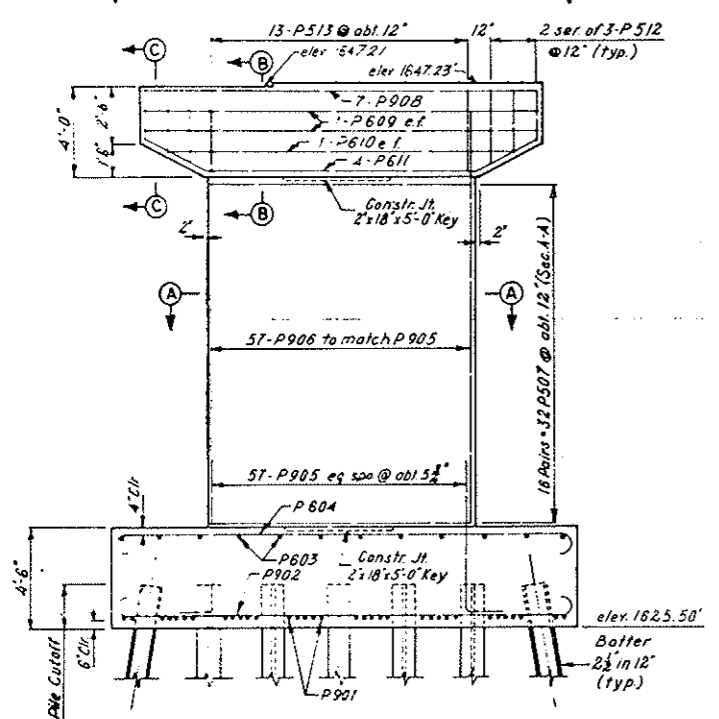


BRIDGE CODE	R.F. BRIDGE NO.	FED. ROAD DIST. NO.	STATE	PROJ. NO.	FISCAL YEAR	SHEET NO.	TOTAL SHEETS
X671	199	8	N D	MG-1-010 (05) 917		24	



BILL OF REINFORCEMENT								
BAR NO.	NO.	SIZE	LENGTH	TYPE	DIMENSIONS			LOCATION
					A	B	C	
P901	34	9	15-6	100	13-0	1-3		Footing
P902	19	9	23-0	100	20-6	1-3		Footing
P603	12	6	14-4	100	13-0	8		Footing
P604	7	6	21-10	100	20-6	8		Footing
P905	57	9	9-3	104	1-6	7-9		Footing
P906	57	9	16-10	Str.				Shaft
P507	32	5	19-8	162	7-6	3-2	3-0	Shaft
P908	7	9	17-8	Str.				Cap Beam
P609	4	6	17-8	Str.				Cap Beam
P610	2	6	15-8	Str.				Cap Beam
P611	4	6	18-8	106	12-2	3-3	2-3	Cap Beam
P512	4 Ser. of 3	5	12-0	109	3-4	2-3		Cap Beam
			14-2		3-4	3-4		
P513	13	5	15-2	109	3-6	3-8		Cap Beam



QUANTITIES	
Reinforcing Steel	10,531 Lbs
Steel Piling (HP 12 x 53)	1,755 Lin Ft
Class AE-1 Mod Concrete	761 Cu Yd
Class I Excavation	68 Cu Yd
Steel Test Piles (HP 12 x 53) @ 75'	1 Each

**PIER 2A DETAILS**  
BRIDGE A  
BURLINGTON NORTHERN, INC.  
RAILWAY UNDERPASSES  
U.S. HIGHWAY NO. 10  
MORTON COUNTY