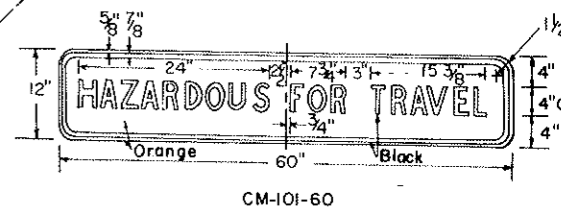
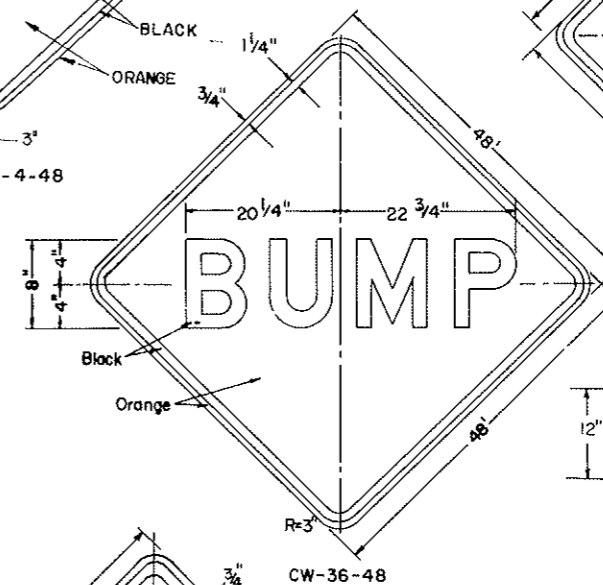
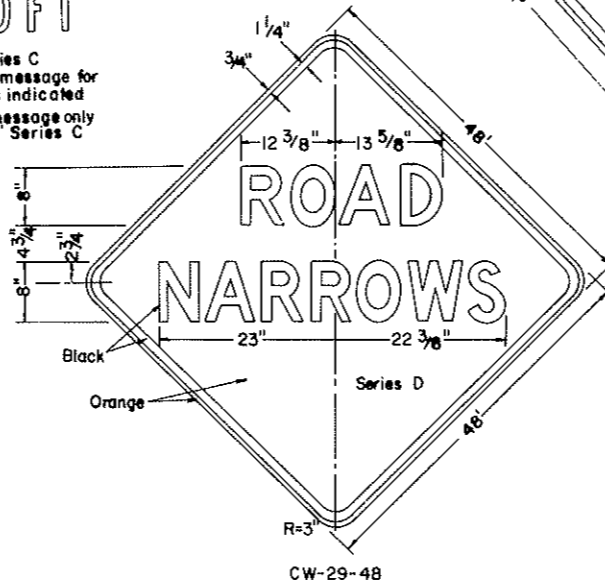
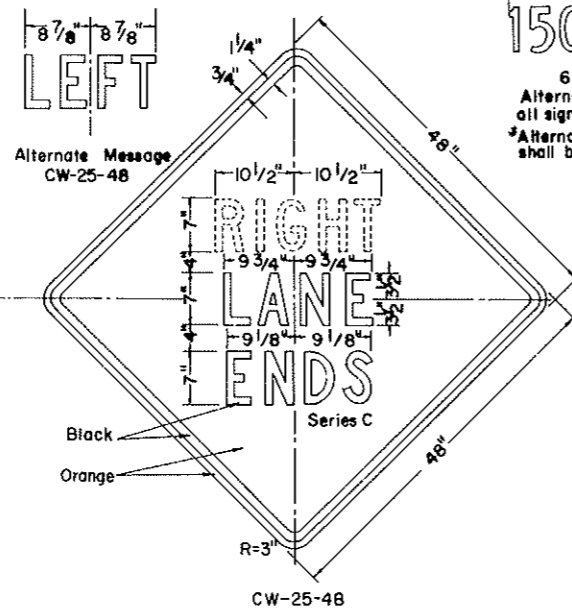
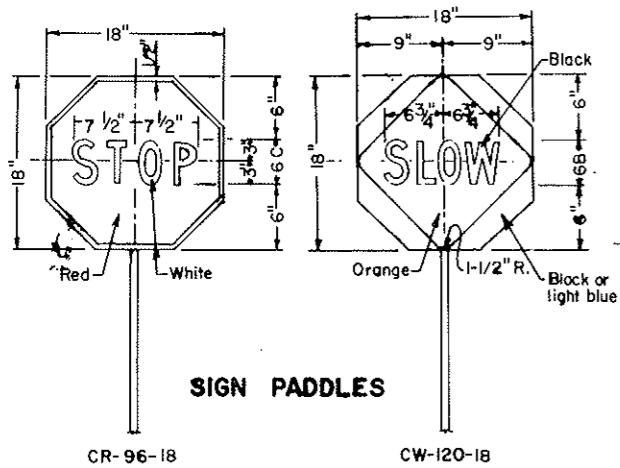
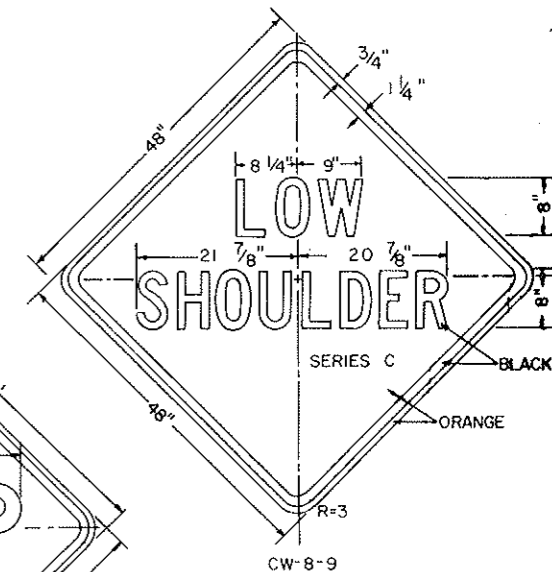
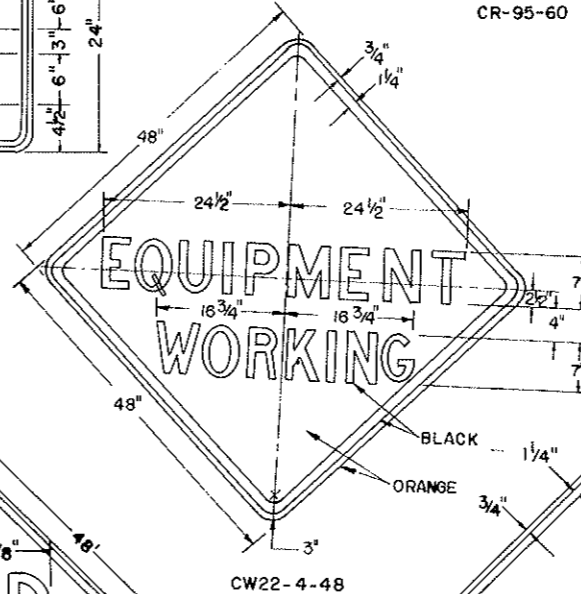
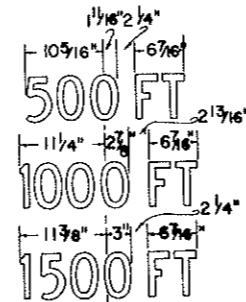
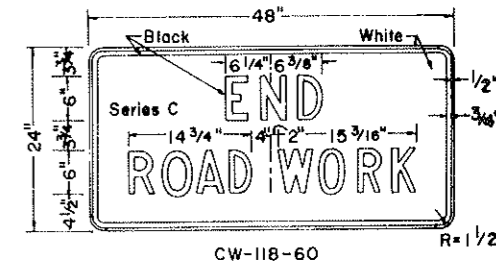
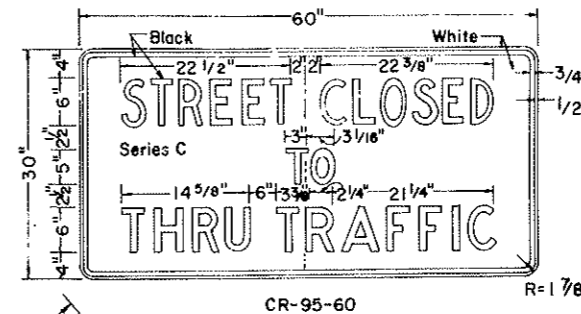
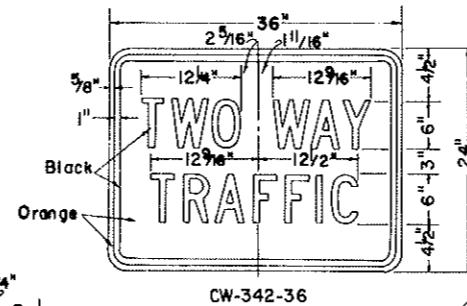
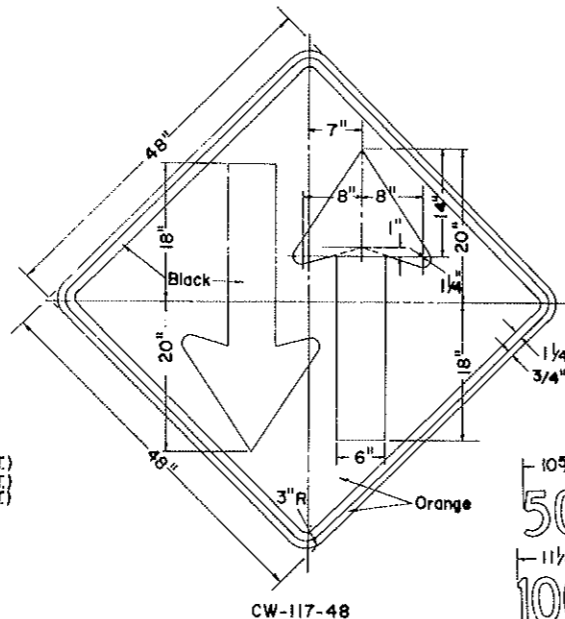
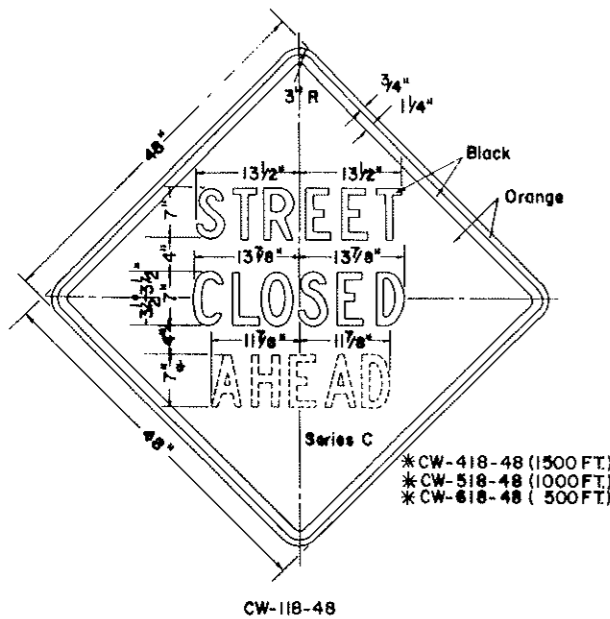


CONSTRUCTION SIGN DETAILS

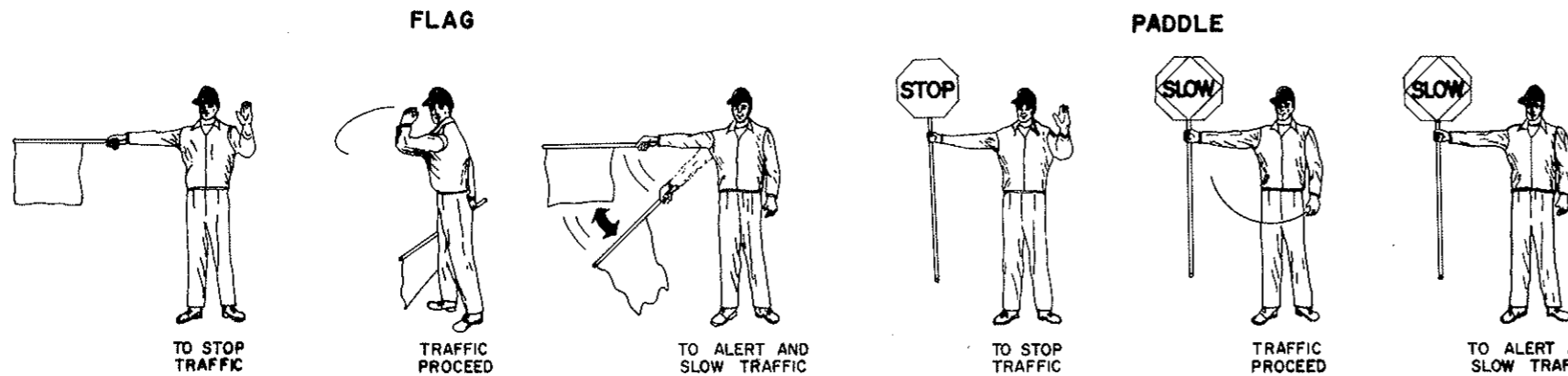
FED. ROAD DIST. NO.	STATE	PROJ. NO.	SHEET
8	N.D.		78

D-754-7-4

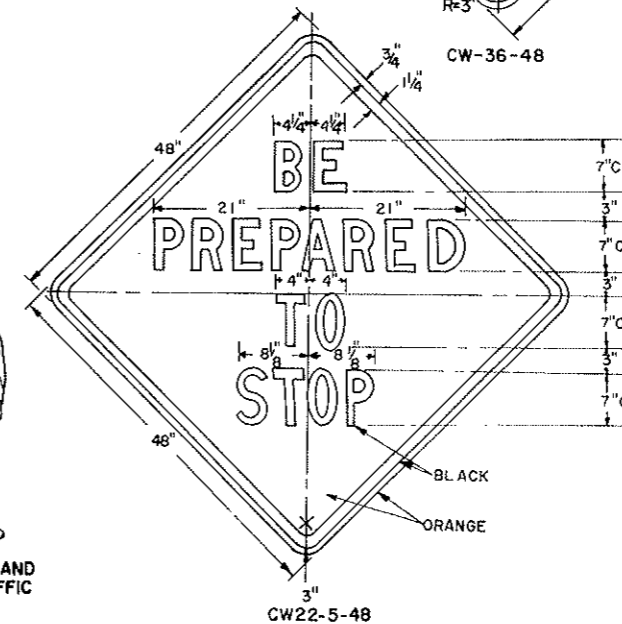


NOTE: All signs shall have reflectorized message, border and background, unless shown otherwise on the plans. In no case is the color black reflectorized.

Material: See Std. D-754-71-5 for assembly details



USE OF HAND SIGNALING DEVICES BY FLAGMAN



3-13-72	
DATE	REVISIONS CHANGE
6-6-72	C-25-48 Color
3-27-74	CW-8-9 Added Sign
5-17-76	Sign Paddle Revised
9-28-76	Signs Added
10-12-76	Signs Change

NORTH DAKOTA STATE HIGHWAY DEPARTMENT	
Submitted:	<i>R. Thomas</i> Design Engineer
Recommended:	Asst. Chief Engineer, Proj - Constr.
Approved:	<i>R. L. ...</i> Chief Engineer