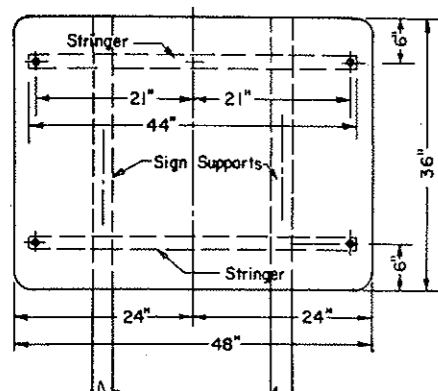
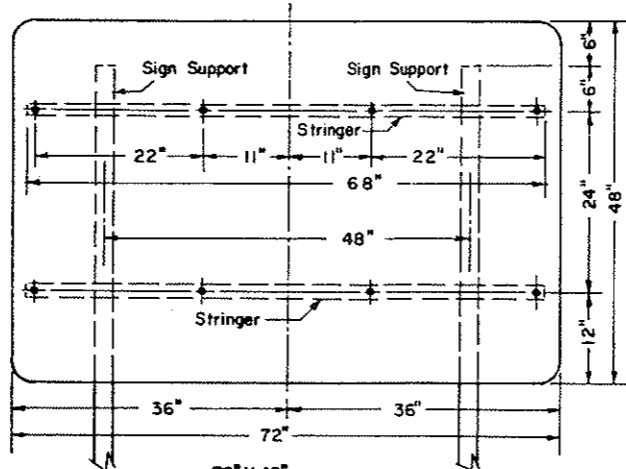


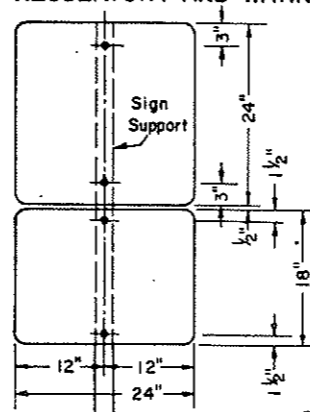
**SIGN PUNCHING, STRINGER AND SUPPORT LOCATION DETAILS
REGULATORY AND WARNING SIGNS**



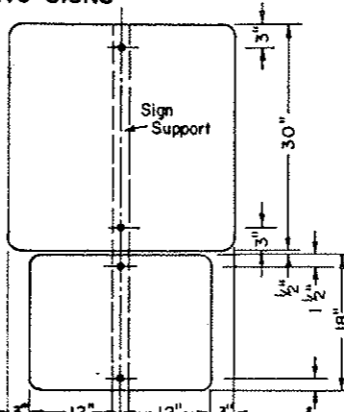
48" X 36" Assembly No. 40



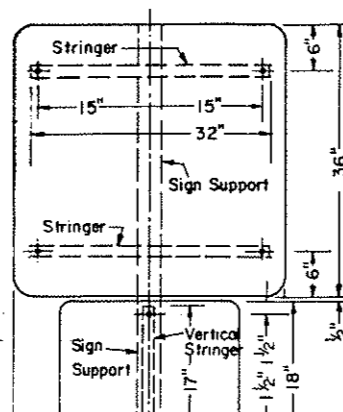
72" X 48" Assembly No. 41



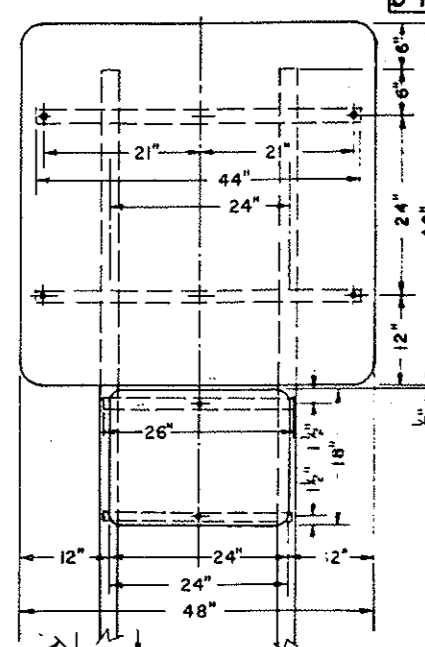
24" X 24" with Educational Plaque ① Assembly No. 42



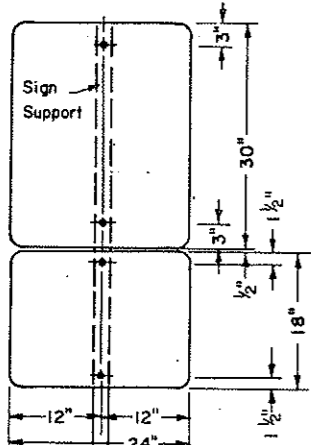
30" X 30" with Educational Plaque ① Assembly No. 43



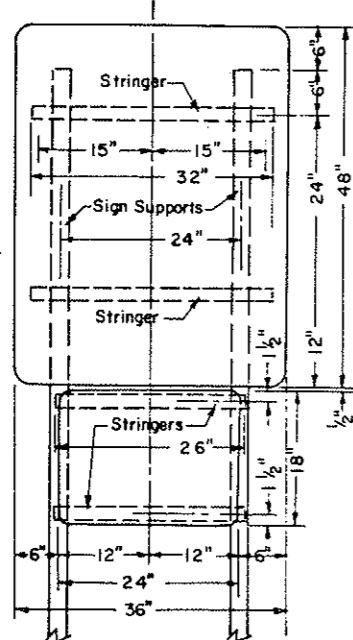
36" X 36" with Educational Plaque ① Assembly No. 44



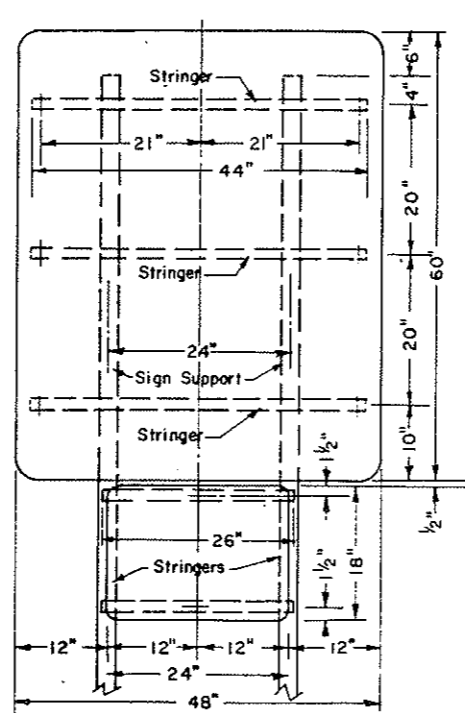
48" X 48" with Educational Plaque ① Assembly No. 45



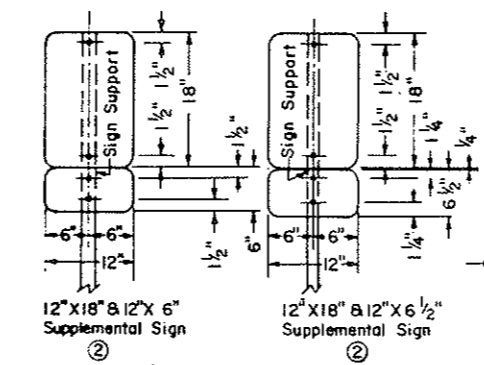
24" X 30" with Educational Plaque ① Assembly No. 46



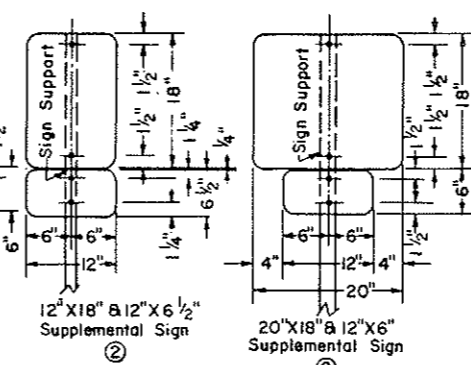
36" X 48" with Educational Plaque ① Assembly No. 47



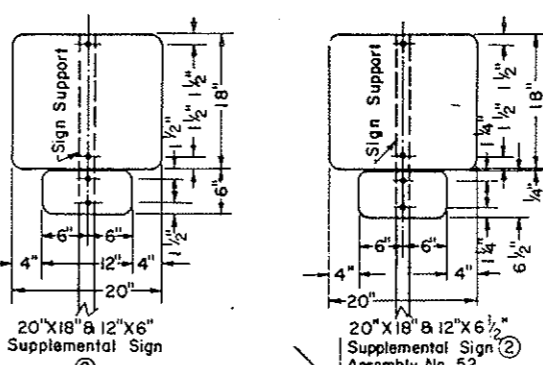
48" X 60" with Educational Plaque ① Assembly No. 48



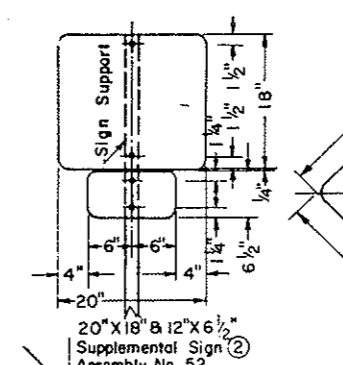
12" X 18" & 12" X 6" Supplemental Sign ② Assembly No. 49



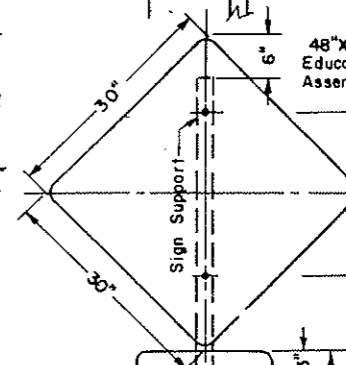
12" X 18" & 12" X 6 1/2" Supplemental Sign ② Assembly No. 50



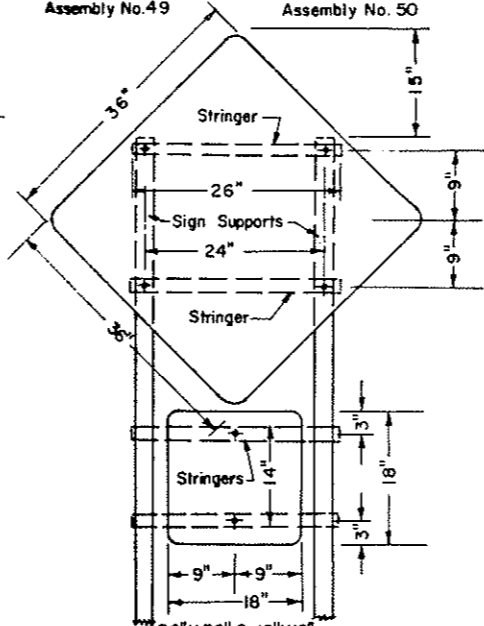
20" X 18" & 12" X 6" Supplemental Sign ② Assembly No. 51



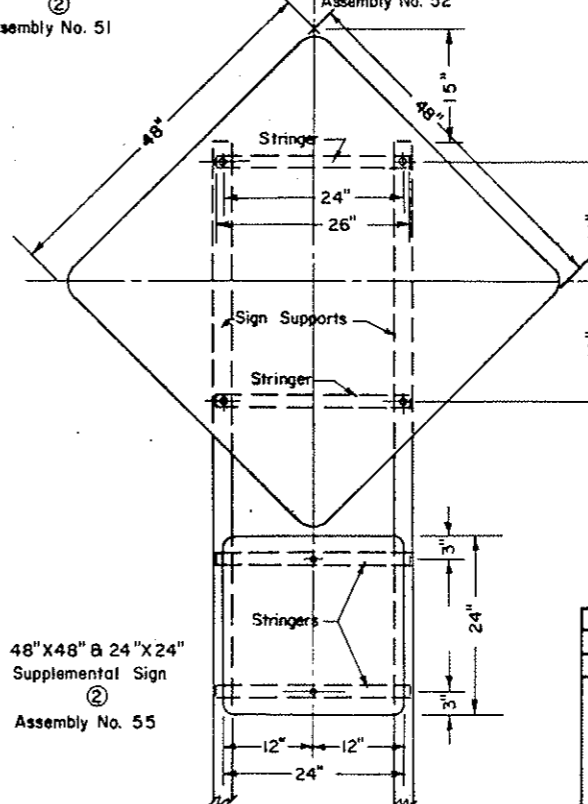
20" X 18" & 12" X 6 1/2" Supplemental Sign ② Assembly No. 52



30" X 30" & 18" X 18" Supplemental Sign ② Assembly No. 53



36" X 36" & 18" X 18" Supplemental Sign ② Assembly No. 54



48" X 48" & 24" X 24" Supplemental Sign ② Assembly No. 55

Notes:
 ① Where Educational Plaque is to be placed below main sign the vertical clearance shall be to the main sign & the support length shall be figured as if no plaque is installed. See support tables for max sign size to determine length and size of supports.
 ② Where supplemental signs are placed below the main sign the vertical clearance shall be 1 foot less than that specified on support tables standard.

NOTE:
 Material:
 Sign Backing: The sign backing material thickness shall be as follows.
 Steel: Signs having a width of less than 30" shall use 14 gauge material. Signs 30" or more shall use 12 gauge material.
 Aluminum: Aluminum alloy 6061-T6 shall have the following minimum thicknesses: Signs 24" or less in width shall be 0.080 inch. Signs 30" or less in width shall be 0.100 inch. Signs over 30" shall be 0.125 inch. Aluminum alloy 5052-H38 shall have the following minimum thicknesses: Signs 24" or less in width shall be 0.100 inch. Signs over 24" in width shall be 0.125 inch.
 Stringers: All stringers shall be square tube, perforated 1 1/2" x 1 1/2" and of the length shown.
 Holes: All holes shall be punched round for 3/8" diameter bolts.
 General: See plans for sign numbers to be used at each location. See Std. D-754-71-12.12 for mounting details. See Std. D-754-75-12.1 & 12.2 for post lengths and sizes.

11-10-75		NORTH DAKOTA HIGHWAY DEPARTMENT
REVISIONS		
DATE	CHANGE	Submitted: <i>[Signature]</i> Design Engineer
		Recommended: <i>[Signature]</i> Asst. Chief Engineer Pre-Construction
		Approved: <i>[Signature]</i> Chief Engineer