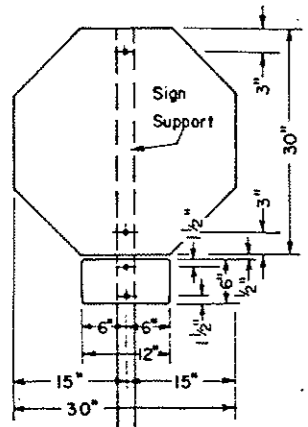
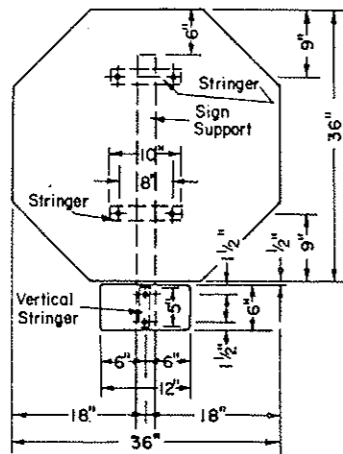


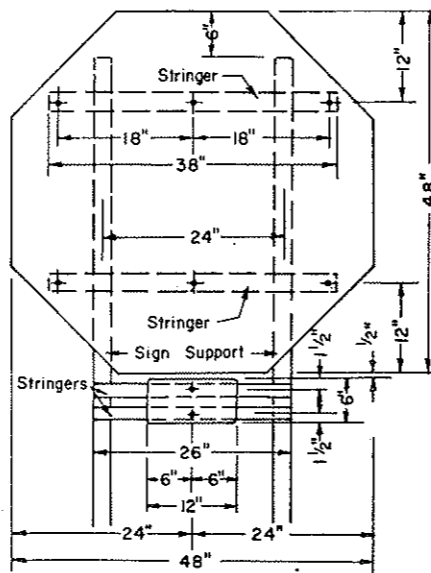
**SIGN PUNCHING, STRINGER AND SUPPORT LOCATION DETAILS  
REGULATORY, WARNING AND GUIDE SIGNS**



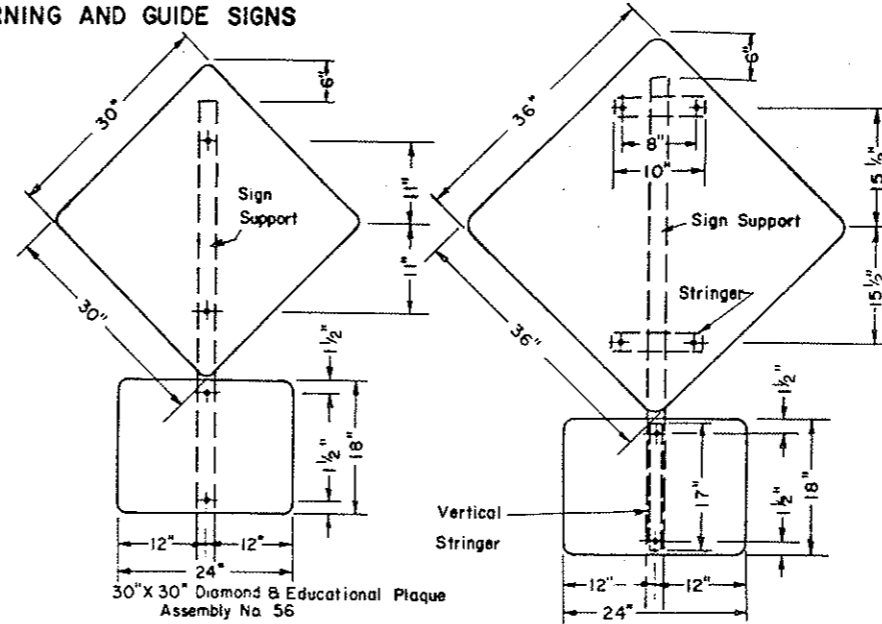
RI-1-30 & RI-3-12  
Assembly No. 59



RI-1-36 & RI-3-12  
Assembly No. 60

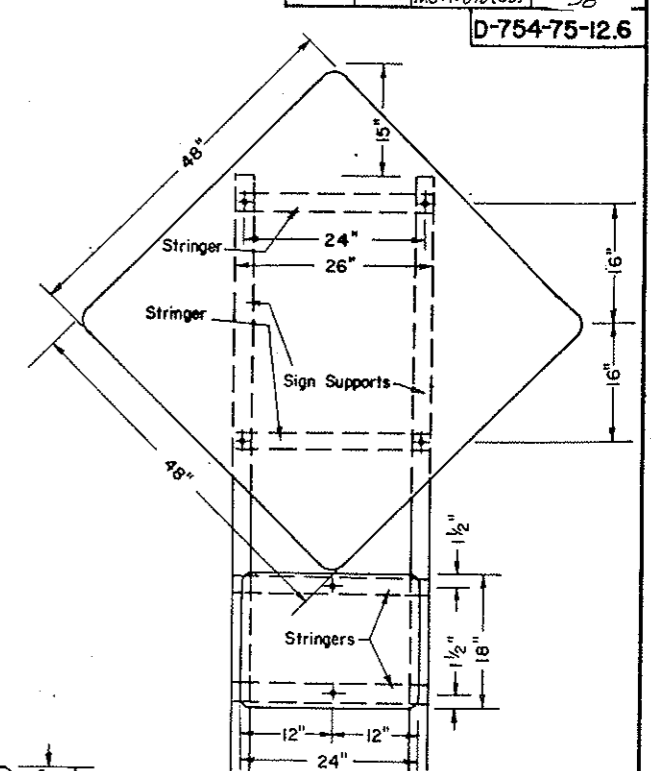


RI-1-48 & RI-3-12  
Assembly No. 61

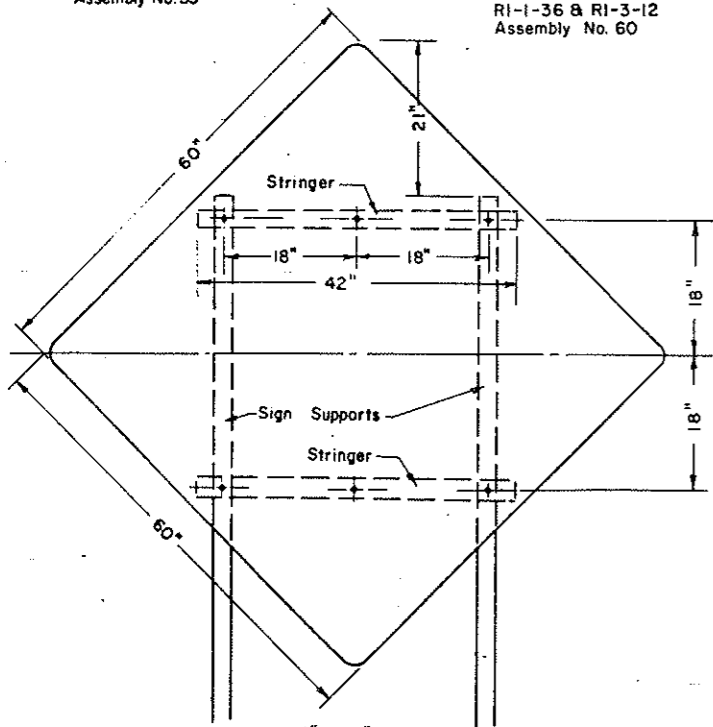


30" X 30" Diamond & Educational Plaque  
Assembly No. 56

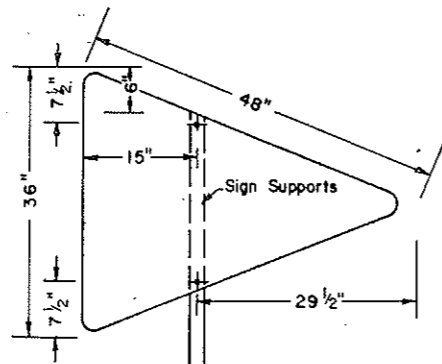
36" X 36" Diamond & Educational Plaque  
Assembly No. 57



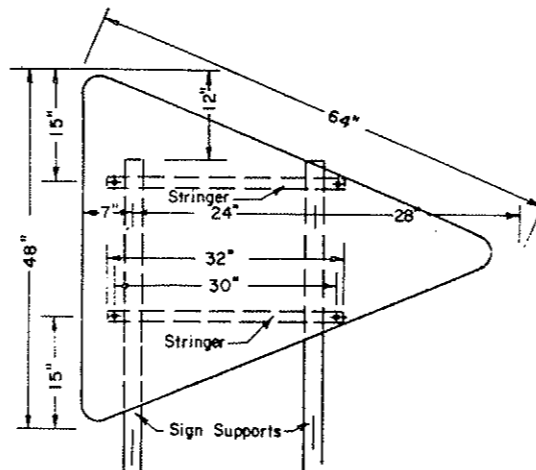
48" X 48" Diamond & Educational Plaque  
Assembly No. 58



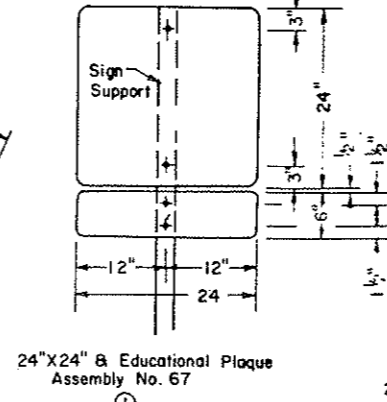
60" X 60" Diamond  
Assembly No. 62



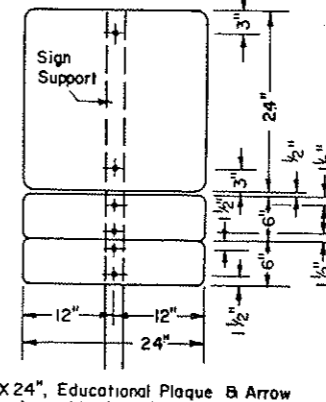
W14-3-48  
Assembly No. 65  
Mount on Left only



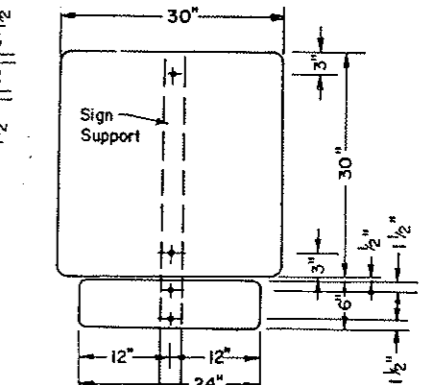
W14-3-64  
Assembly No. 66  
Mount on Left



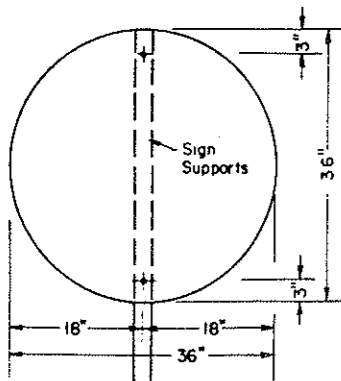
24" X 24" Educational Plaque  
Assembly No. 67



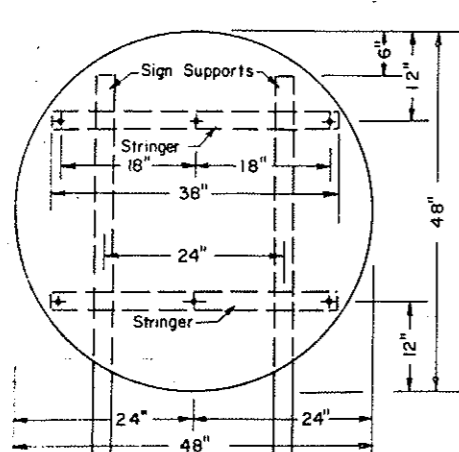
24" X 24" Educational Plaque & Arrow  
Assembly No. 68



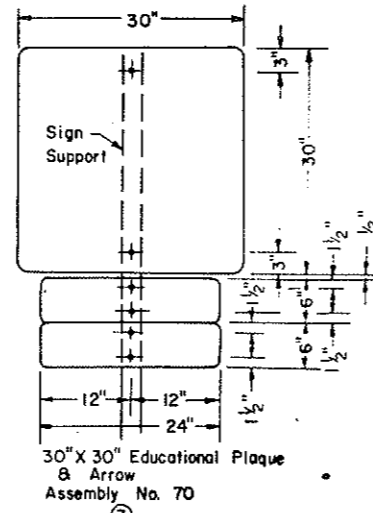
30" X 30" Educational Plaque  
Assembly No. 69



36" Circle  
Assembly No. 63



48" Circle  
Assembly No. 64



30" X 30" Educational Plaque & Arrow  
Assembly No. 70

**NOTE:**

**Material:**  
**Sign Backing:** The sign backing material thickness shall be as follows.  
 Steel: Signs having a width of less than 30" shall use 14 gauge material. Signs 30" or more shall use 12 gauge material.  
 Aluminum: Aluminum alloy 6061-T5 shall have the following minimum thicknesses. Signs 24" or less in width shall be 0.080 inch. Signs 30" or less in width shall be 0.100 inch. Signs over 30" shall be 0.125 inch. Aluminum alloy 5052-H38 shall have the following minimum thicknesses. Signs 24" or less in width shall be 0.100 inch. Signs over 24" in width shall be 0.125 inch.  
**Stringers:** All stringers shall be square tube, perforated 1 1/2" x 1 1/2" and of the length shown.  
**Holes:** All holes shall be punched round for 3/8" diameter bolts.  
**General:** See plans for sign numbers to be used at each location. See Std. D-754-71-12.12 for mounting details. See Std. D-754-75-12.1 & 12.2 for post lengths and sizes.

**Notes:**

- Where Educational Plaque is to be placed below main sign the vertical clearance shall be to the main sign & the support length shall be figured as if no plaque is installed. See support tables for main sign size to determine length and size of supports.
- Where supplemental signs are placed below the main sign the vertical clearance shall be 1 foot less than that specified on support tables standard.
- Where Educational Plaque is to be placed below main sign and arrow below it the vertical clearance shall be to the bottom of the arrow as if the educational plaque were removed and the support length shall be figured as if no plaque is installed. See support tables for size of supports.

II-10-75	
REVISIONS	
DATE	CHANGE

NORTH DAKOTA  
STATE HIGHWAY DEPARTMENT

Submitted: *Harold Stoll*  
Design Engineer

Recommended: *Harold Stoll*  
Asst. Chief Engineer  
Pre-Construction

Approved: *Harold Stoll*  
Chief Engineer