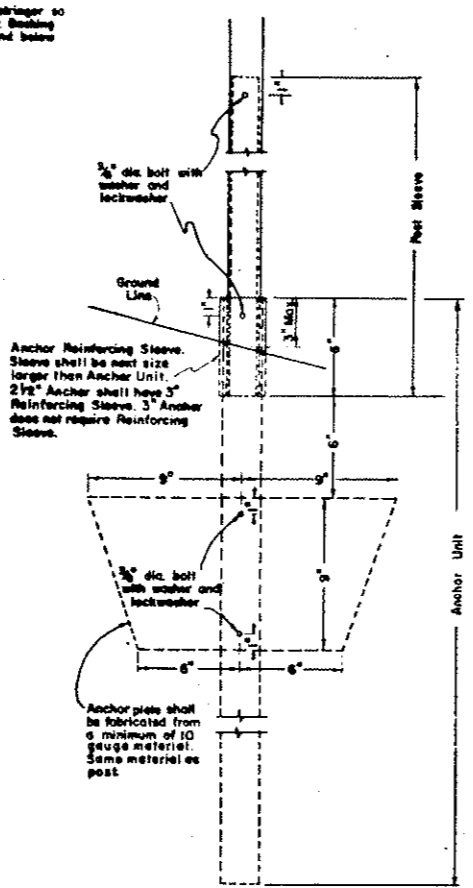
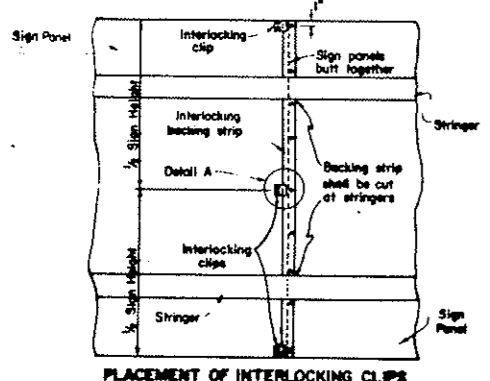
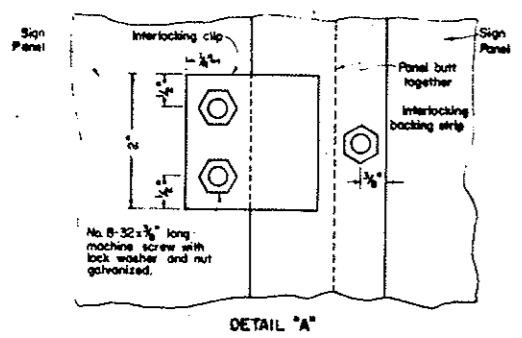
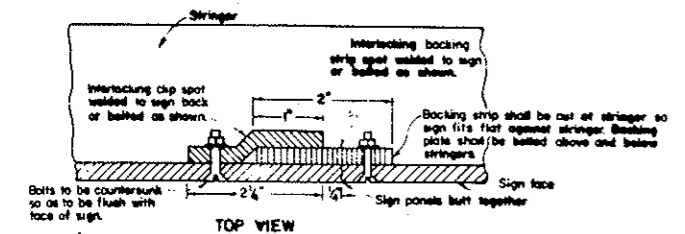
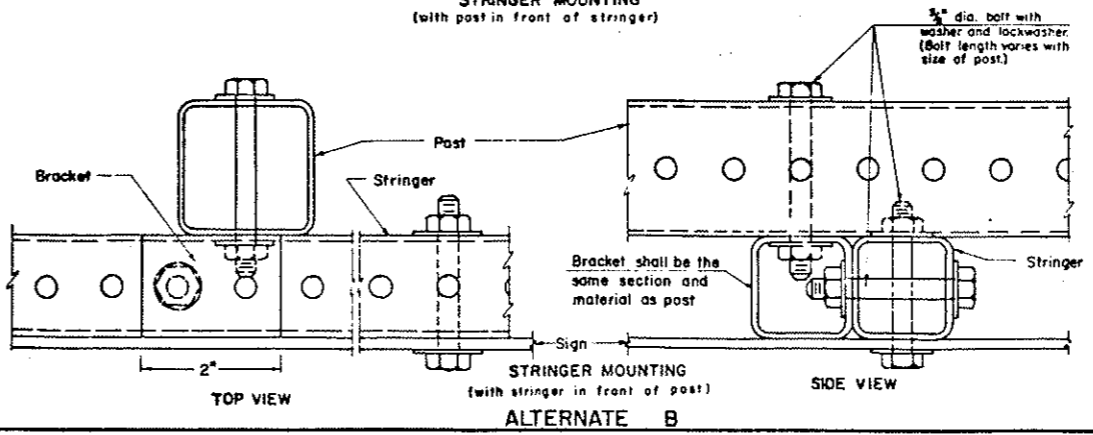
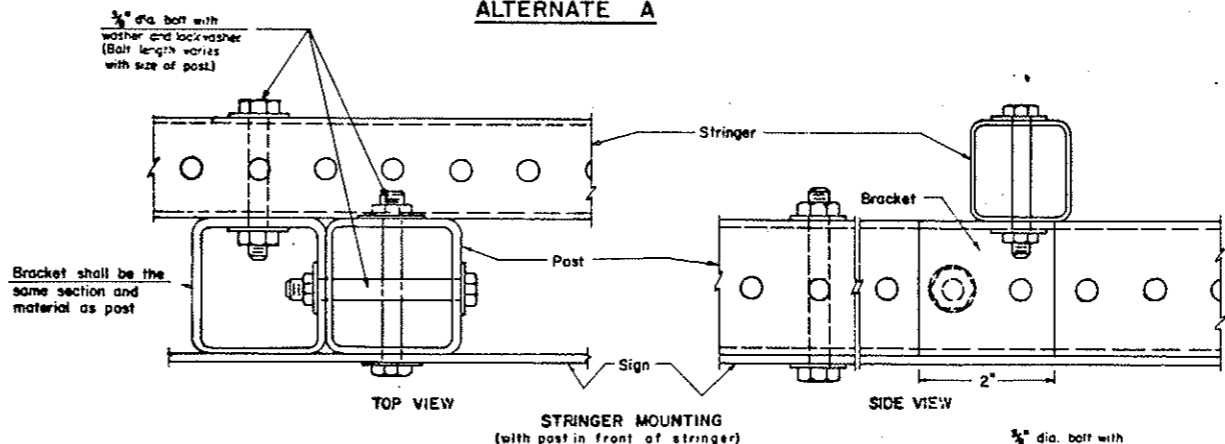
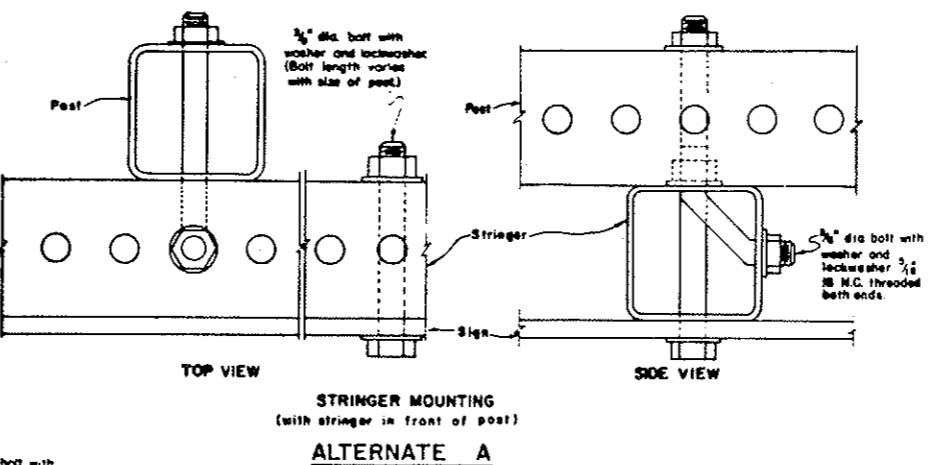
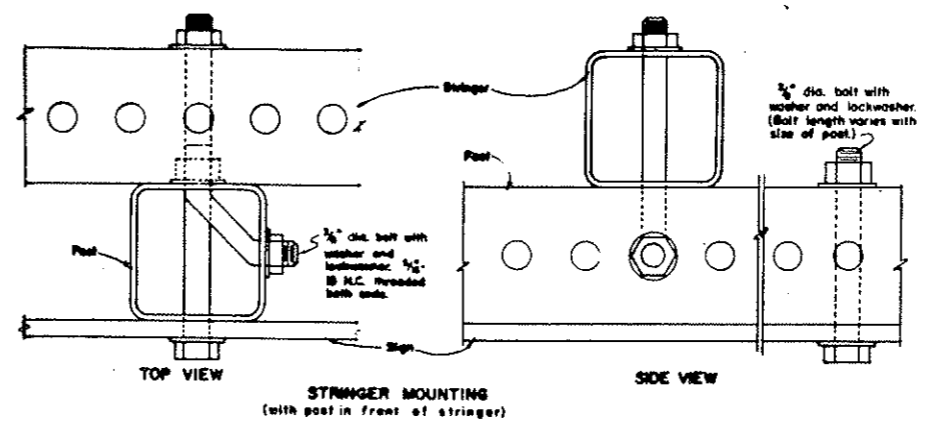
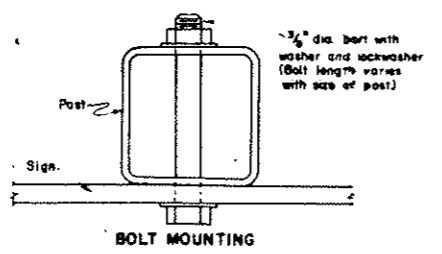
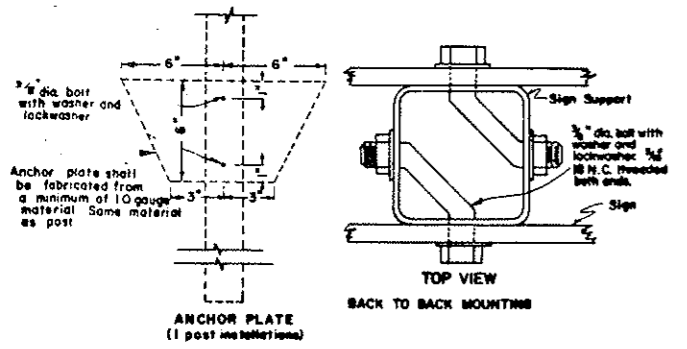


MOUNTING DETAILS

Flat Sheet Signs
Perforated Telescoping Tubes



NOTE:
Sign may be made in increments or in one complete unit. If made in increments, the interlocking clip shown shall be used. Anchor Unit shall be driven.



10-19-72		MORTH DAKOTA STATE HIGHWAY DEPARTMENT
DATE	REVISIONS CHANGE	
		Submitted <i>[Signature]</i> Design Engineer
		Recommended Asst. Chief Engineer, Pre-Constr.
		Approved <i>[Signature]</i> Chief Engineer