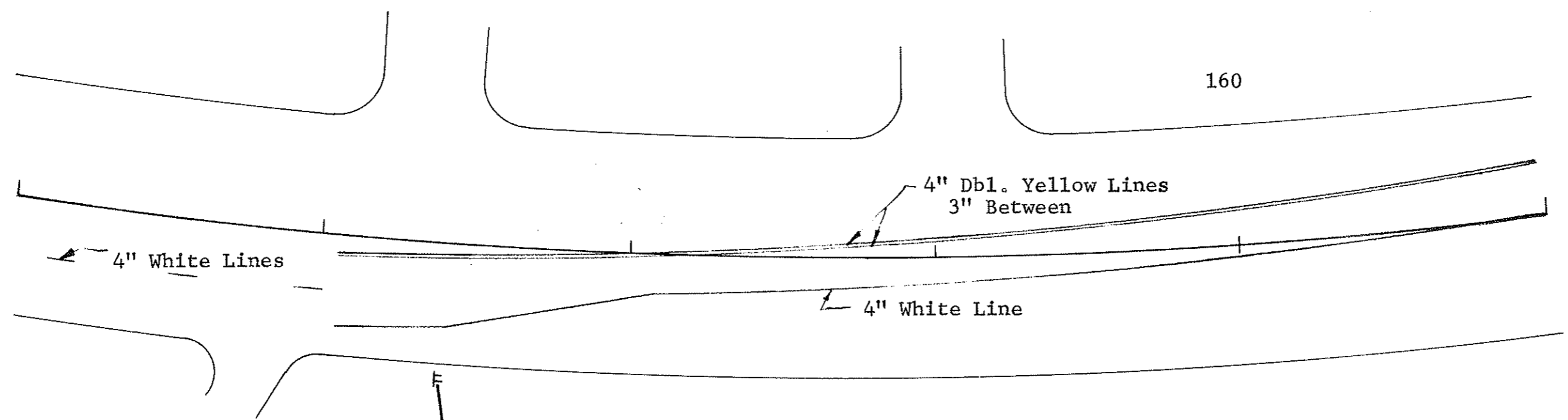


FHWA REGION	STATE	FED. AID PROJ. NO.	SHEET NO.
8	N.D.	F-1-094(03)	83



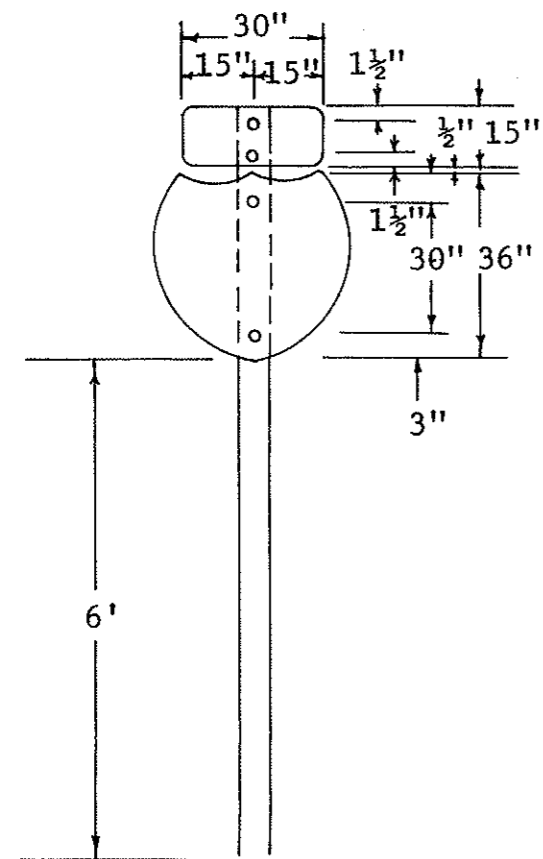
Install Pavement Marking, Drop on Beads, Type II

Sta. 157+00 to 161+00 Lt. Barrier Lines 800 L.F.
 Sta. 157+00 to 161+00 Rt. Edge Line 400 L.F.



Sta. 157+40 Rt.
 W6-2-36
 W6-2p-24
 Assembly 57
 Warning Sign

FHWA REGION	STATE	FED. AID PROJ. NO.	SHEET NO.
8	N.D.	F-1-094(03)	84



Sta. 71+00 Rt.
Assembly D