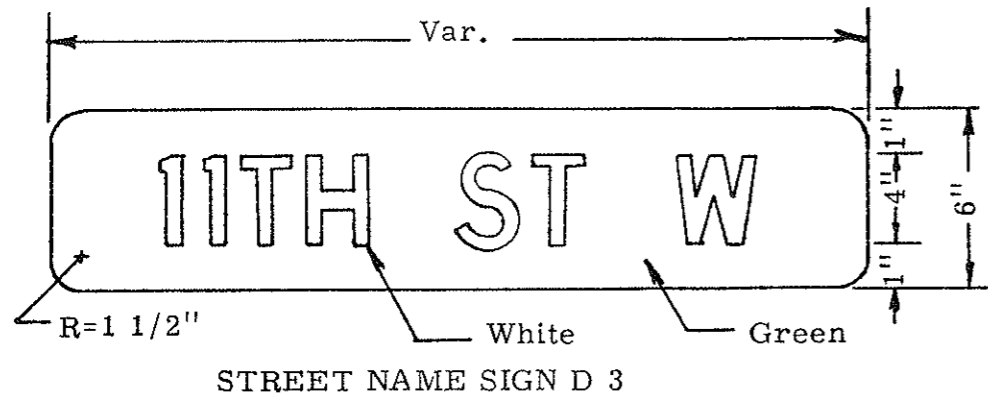


Ground Mounted Street Name sign 4" Letters

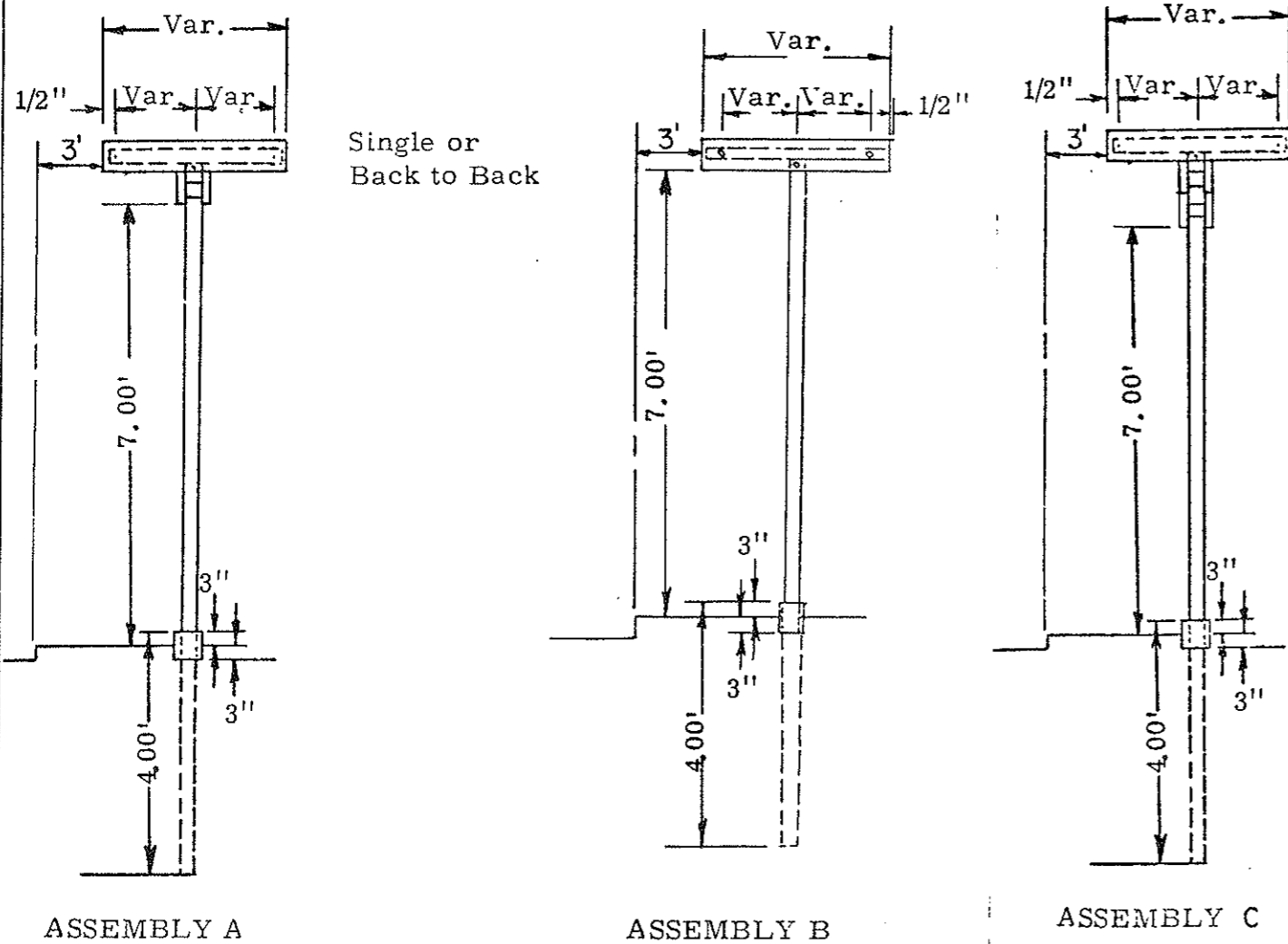
FHWA REGION	STATE	FED AID PROJ NO	SHEET NO
8	ND	F-1-094(03)	85



NOTE: The ground mounted street name sign areas have been calculated using a 6"x36" sign panel. The city shall determine the size needed and inform the Contractor of the exact length required to accommodate the message in accordance with the following legend.

Size and Series: Street name signs 24", 30" or 36" standard lengths shall be fabricated using the following size and series capital letters:

Length	Street Name or Number
24" Length	4" B, C, D Series
30" Length	4" B, C, D Series
36" Length	4" A, B, C, D Series



To provide maximum legibility, the widest series letter shall be used whenever possible for each of the standard lengths specified. A minimum distance of 1/2" shall be allowed between legend and ends of the sign. The actual area shall be paid for at the contract unit price.

MATERIAL:

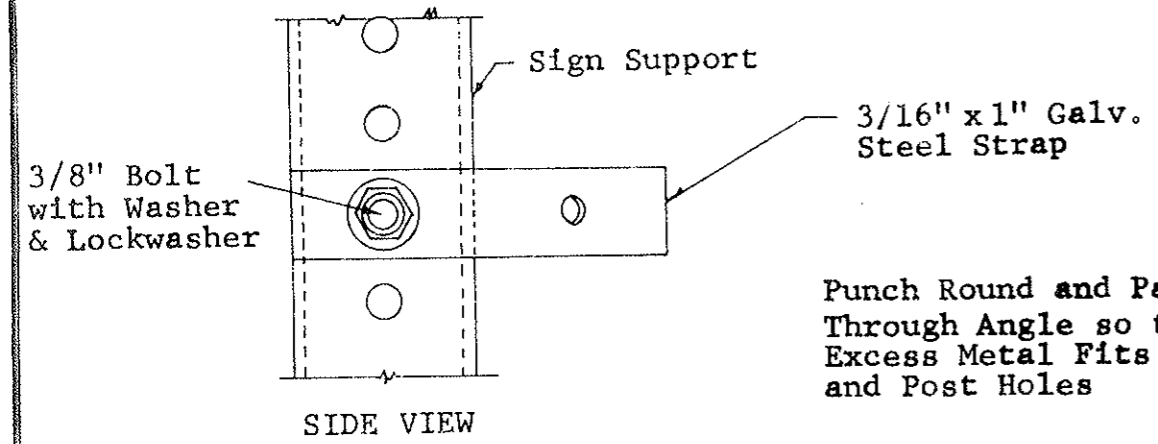
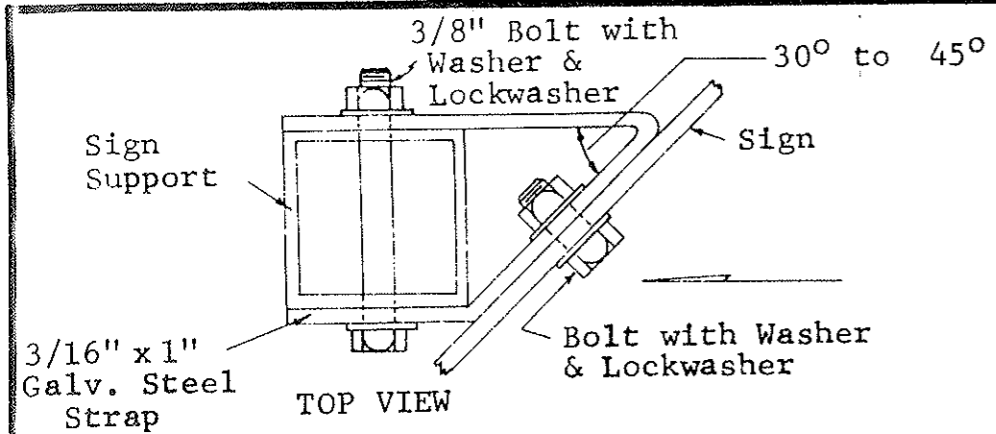
Sign Backing: The sign backing material thickness shall be as follows:

Steel: 14 Guage

Aluminum: Aluminum Alloy 6061-T6 shall have the minimum thicknesses of 0.080 inch.

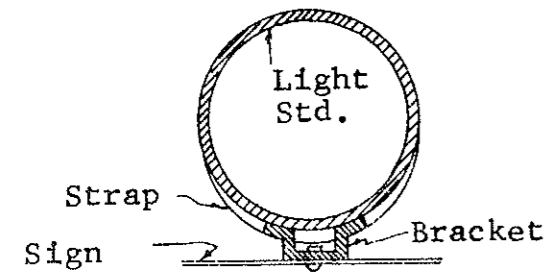
Stringers: All stringers shall be square tube perforated, the same size as support post.

Holes: All holes shall be punched round for 3/8" diameter bolts.

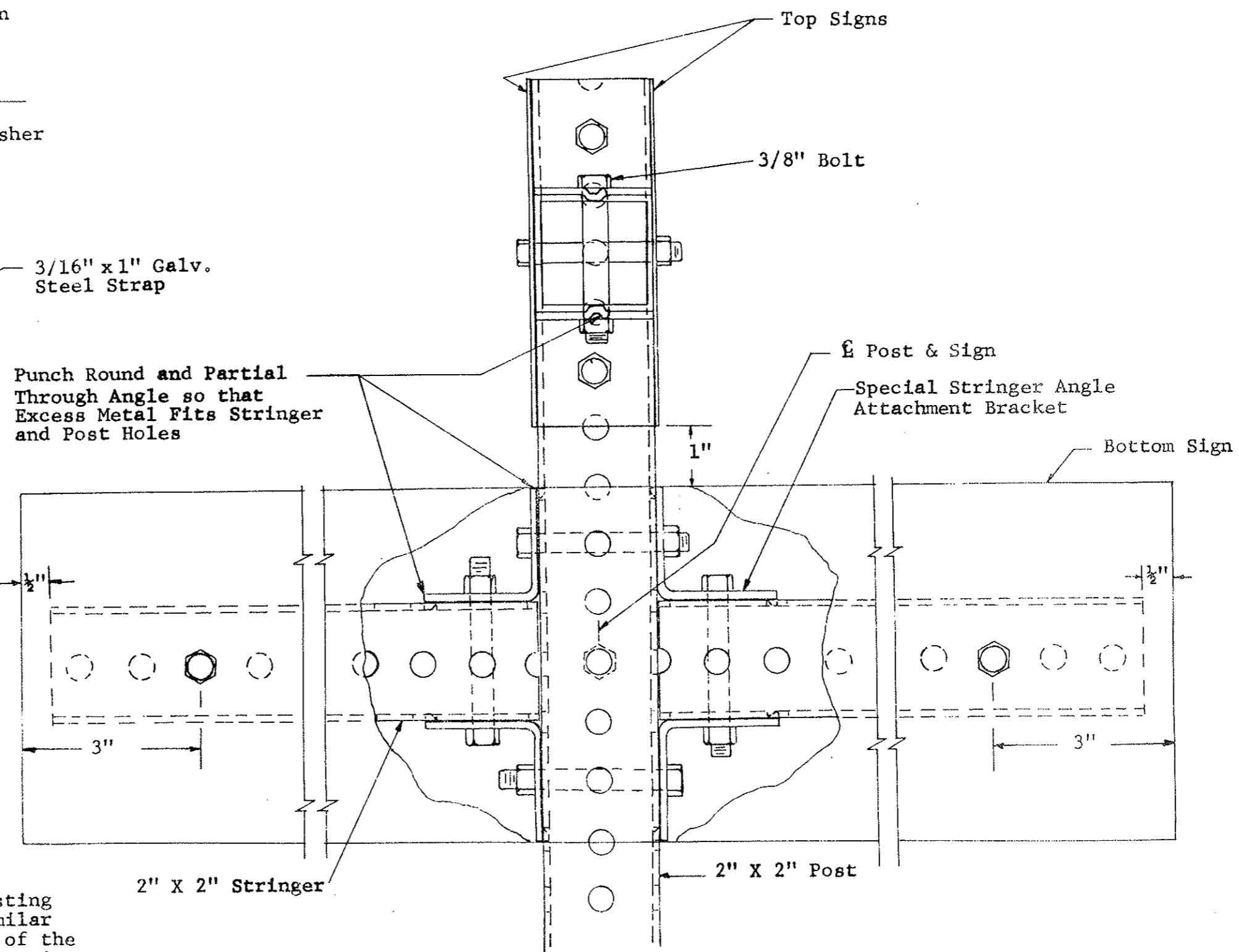


STRAP DETAIL

For mounting signs at an angle of 30° to 45° toward traffic. Material used for the attachment straps shall be included in the price bid for flat sheet signs.



Bracket shall be of galv. steel consisting of strap & sign attachment bracket similar to the one shown in the detail. Cost of the bracket assembly to be included in the price bid for flat sheet signs. Punching shall be as shown on the Standard Drawings. The Engineer in the field shall determine the exact location of the light standard for sign attachment. There shall be a 7' vertical clearance to the bottom of all signs mounted on light standards.



STREET NAME SIGN ASSEMBLY DETAIL

Material used in this assembly shall be included in the price bid for flat sheet for signs.