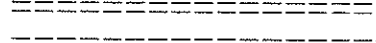
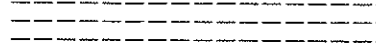
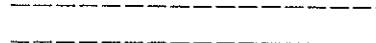
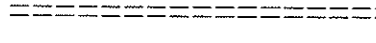
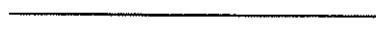




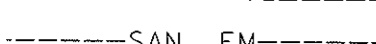
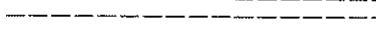

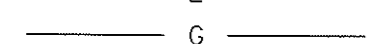
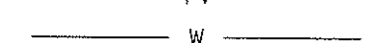
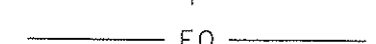
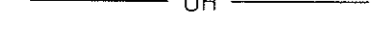
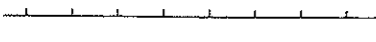

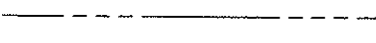

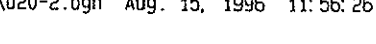

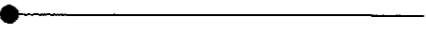
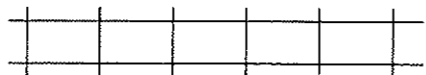
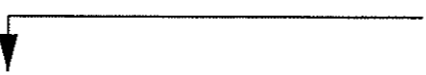


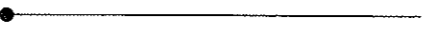


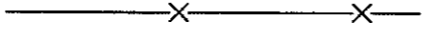
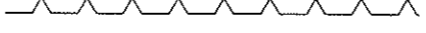
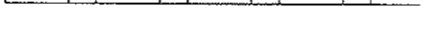


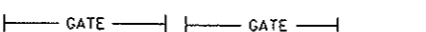
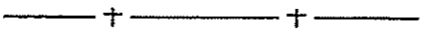
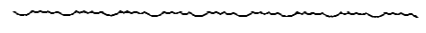
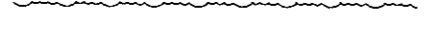
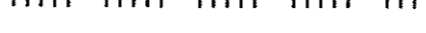








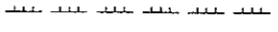
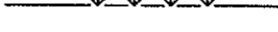


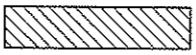

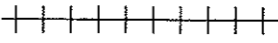
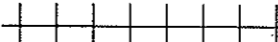

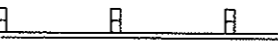


LINESTYLE

D-20-2

	Existing Curb & Gutter
	Existing Mountable Curb
	Existing Valley Gutter
	Existing Curb
	Curb & Gutter
	Mountable Curb & Gutter
	Valley Gutter
	Curb
	Existing Sanitary Sewer
	Existing Storm Force Main
	Existing Storm Drain
	Existing San Force Main
	Existing Culvert-Rural/Urban
	Pipeline
	Telephone Line
	Electrical Line
	Gas Line
	Television Line
	Existing Water Line/Steam
	Power Line
	Fiber Optic Line
	Overhead Utility Line
	City Corporate Limits/Reservation Boundary
	Site Boundary
	Depression Contours
	Old R/W Lines
	Railroad R/W Line
	New R/W Lines

	RR Switch
	Railroad
	Traffic-Signal Mast Arm
	Overhead Sign Structure
	Double Micro Loop Detector
	Single Micro Loop Detector
	Down Guy Wire
	Existing Fence
	Fence
	Retaining Wall
	Wall
	Existing Wall/Planter
	Existing Cable Guard Rail
	Existing Guard Rail
	Existing Gate
	Cemetery Boundary
	Tree Boundary
	Bush/Shrub Boundary
	Field Line
	Existing Berm/Dike/Ditch
	Subgrade Reinforcement
	Slotted Drain
	Centerline
	Undisturbed Groundline
	Flow Line
	Edge of Water

	Marsh/slough/wetland-Nondelineated
	Created Wetland
	Wetland-delineated
	Building/Deck/Balcony
	Work Area/Ditch Block (shaded)
	Stairs (shaded)
	Tie Bar 18" @ 3' Center to Center
	Tie Bar 30" @ 4' Center to Center
	Three Cable Guardrail W/Post
	W-Beam Rail W/Post

3-1-96	
REVISIONS	
DATE	CHANGE
6-20-96	GENERAL REVISION
8-15-96	ADD TIE BARS & GUARDRAIL

NORTH DAKOTA
DEPARTMENT OF TRANSPORTATION

David K. Larson
APPROVED: DESIGN ENGINEER