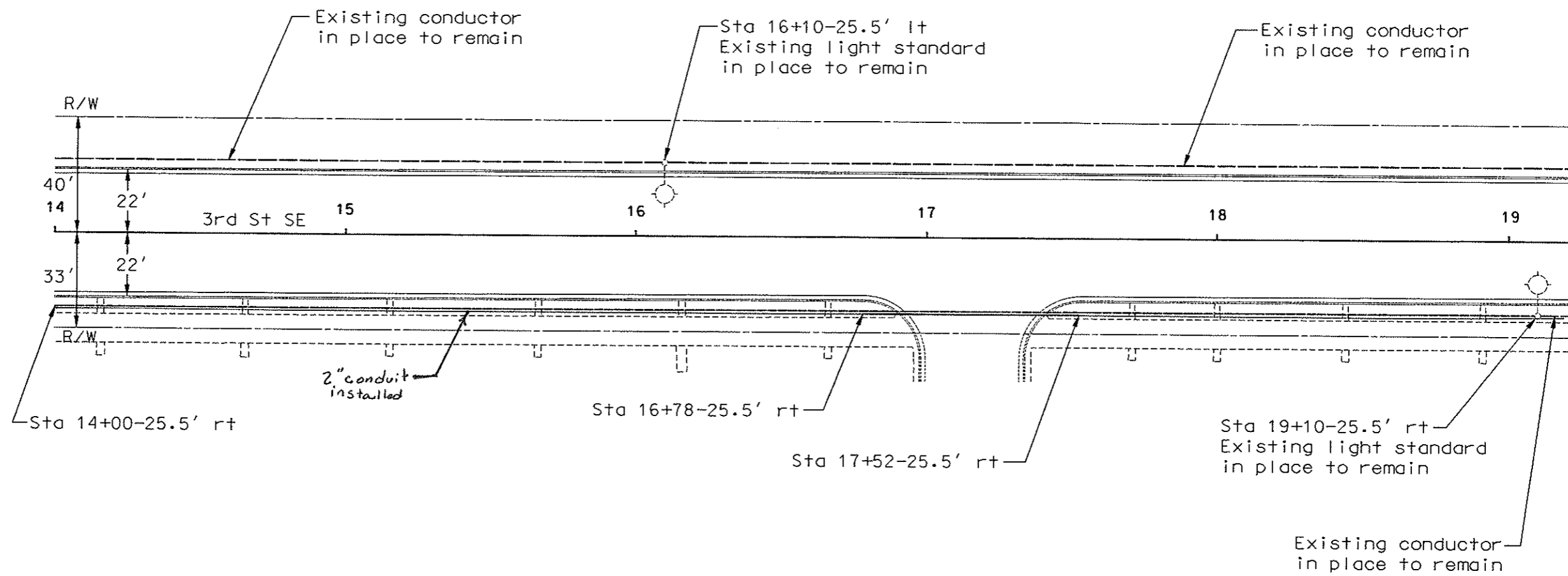
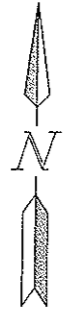


FHWA REGION	STATE	PROJECT NO.	SHEET NO.
8	ND	HEU-1-806(032)069	25



Lighting layout

6th Av SE (ND 1806) &
3rd St SE

Mandan, ND

Station	Conduit runs		Cable trench	Cable runs	
	Length	Size	Length	Length	Type
14+00-25.5' rt to 16+78-25.5' rt	74'	2"	278'	556'	(2) No. 4 RHW
16+78-25.5' rt to 17+52-25.5' rt				278'	(1) No. 6 THW
17+52-25.5' rt to 19+10-25.5' rt			330'	(2) No. 4 RHW	
			157'	165'	(1) No. 6 THW

Quantities										
Cable trench - type I										
2" Dia rigid conduit										
Underground conductor No. 4 - type RHW										
Underground conductor No. 6 - type THW										
LF	LF	LF	LF							
435	74	1034	517							

Lighting quantities

6th Av SE (ND 1806 &
3rd St SE

Mandan, ND