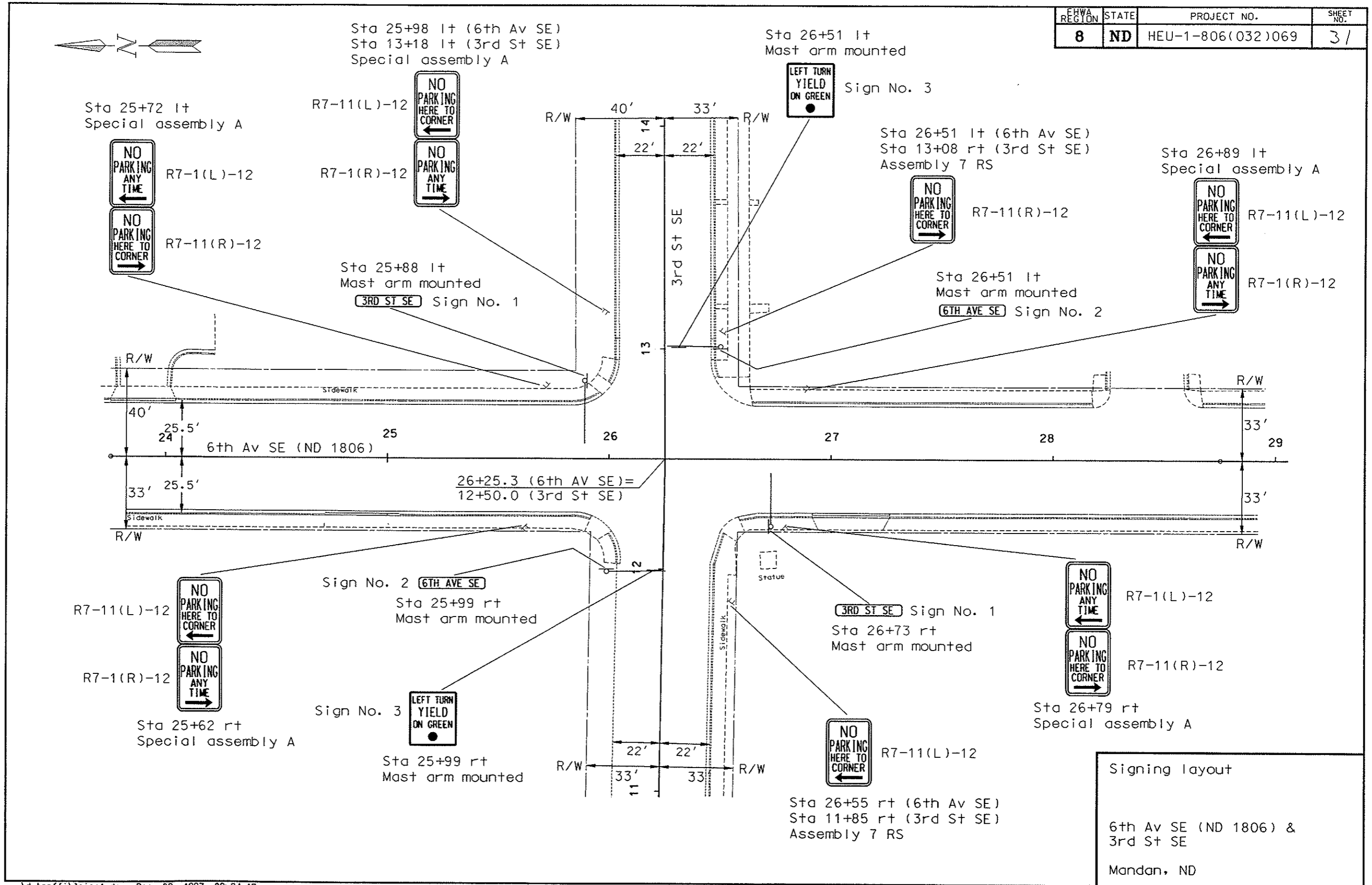
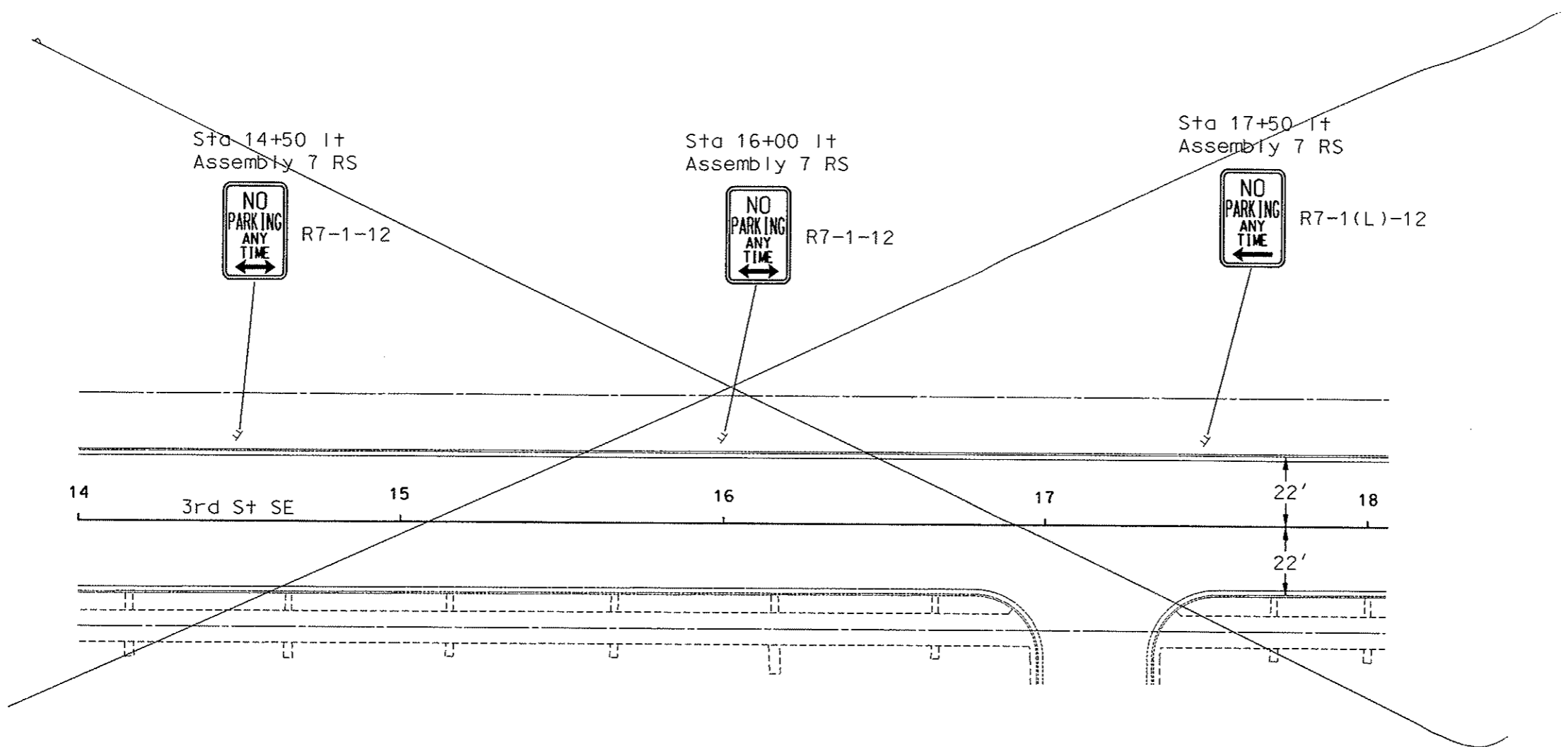
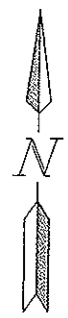


| EHW REGION | STATE | PROJECT NO.       | SHEET NO. |
|------------|-------|-------------------|-----------|
| 8          | ND    | HEU-1-806(032)069 | 31        |



|               |       |                   |              |
|---------------|-------|-------------------|--------------|
| EHW<br>REGION | STATE | PROJECT NO.       | SHEET<br>NO. |
| 8             | ND    | HEU-1-806(032)069 | 32           |



Sta 14+50 I+  
Assembly 7 RS

Sta 16+00 I+  
Assembly 7 RS

Sta 17+50 I+  
Assembly 7 RS



R7-1-12

R7-1-12

R7-1(L)-12

14

3rd St SE

15

16

17

22'

18

22'

Signing layout

6th Av SE (ND 1806) &  
3rd St SE

Mandan, ND