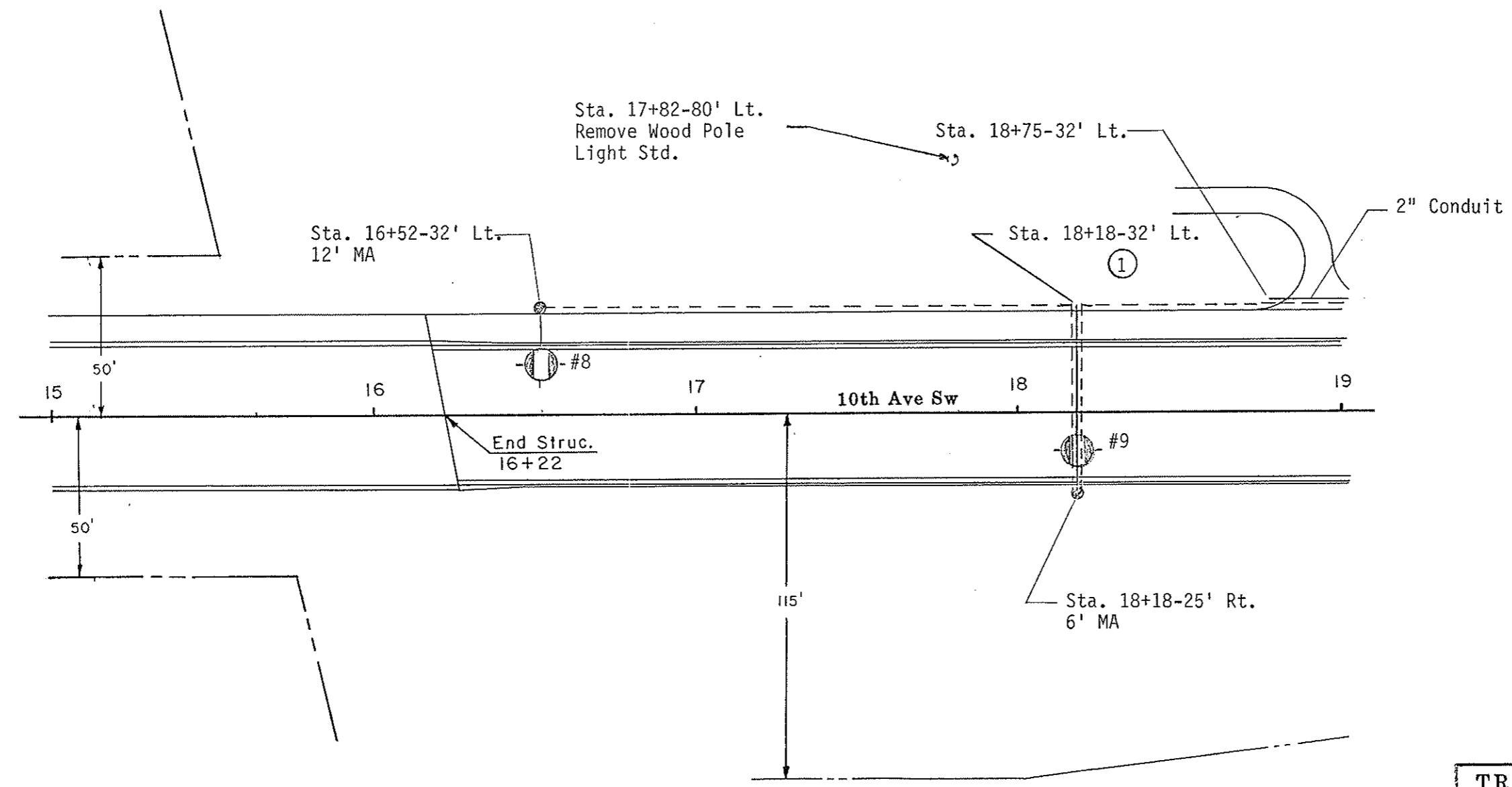


Remove Wood Pole Light Std.
 Sta. 17+82-80' Lt. 1 Ea.

FHWA REGION	STATE	FED. AID PROJ. NO.	SHEET NO.
8	N.D.	RRS-1-006(005)066	109

① Revised 1-18-91



TRAFFIC CONTROL SYSTEM
 Lighting Layout
 Sta. 15+00 to 19+00

 10th Ave sw (ND Hwy 6)
 Mandan N.D.