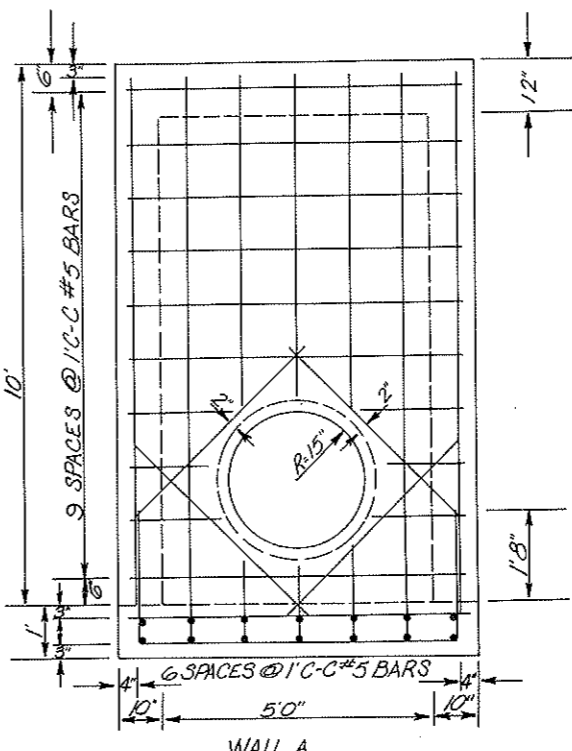
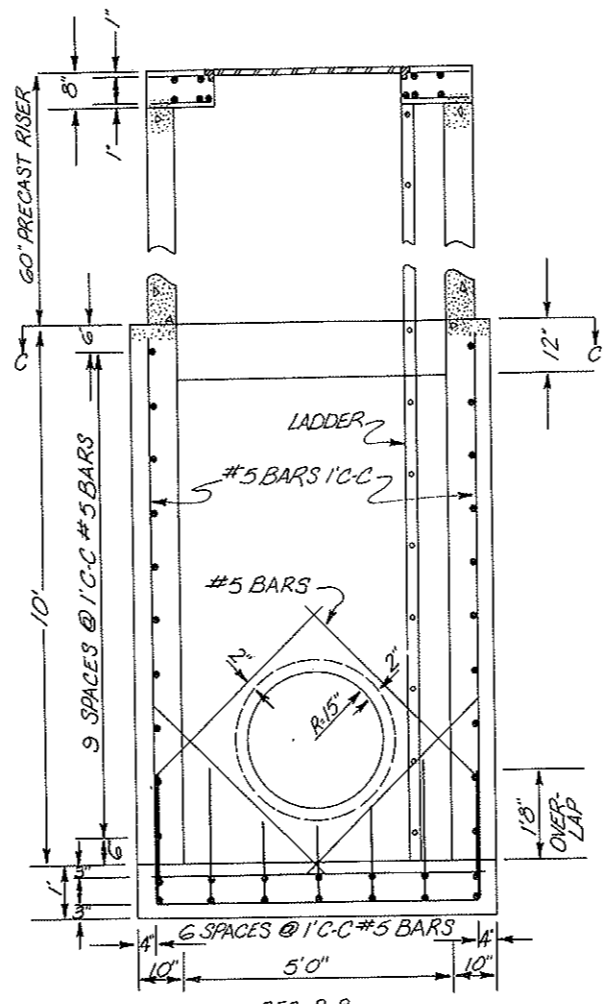
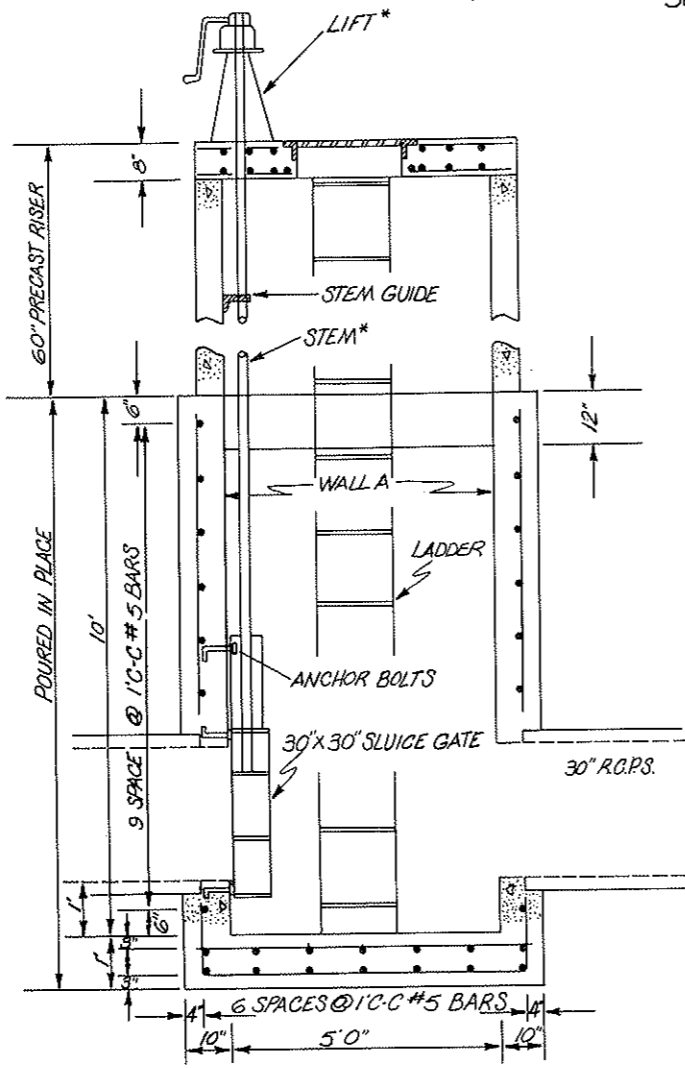
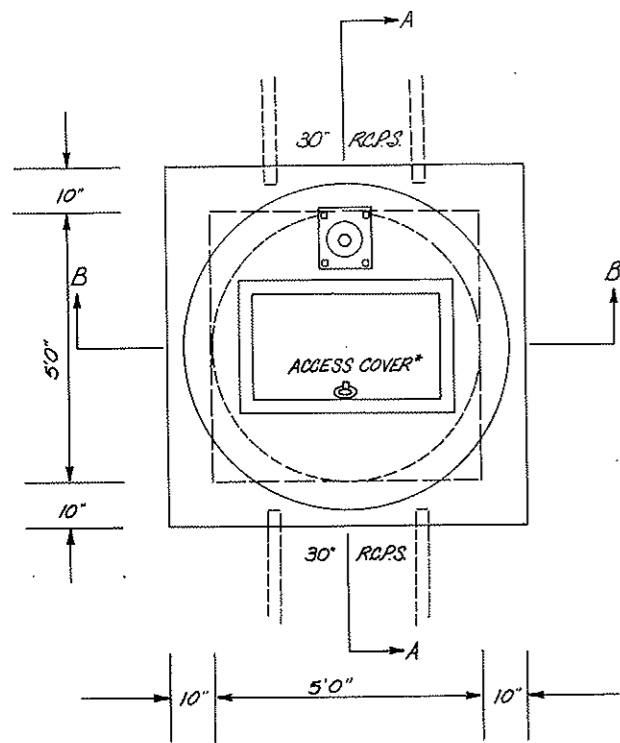


TYPICAL SECTIONS
SLUICE GATE AND CANAL GATE

30"x30" SLUICE GATE MANHOLE

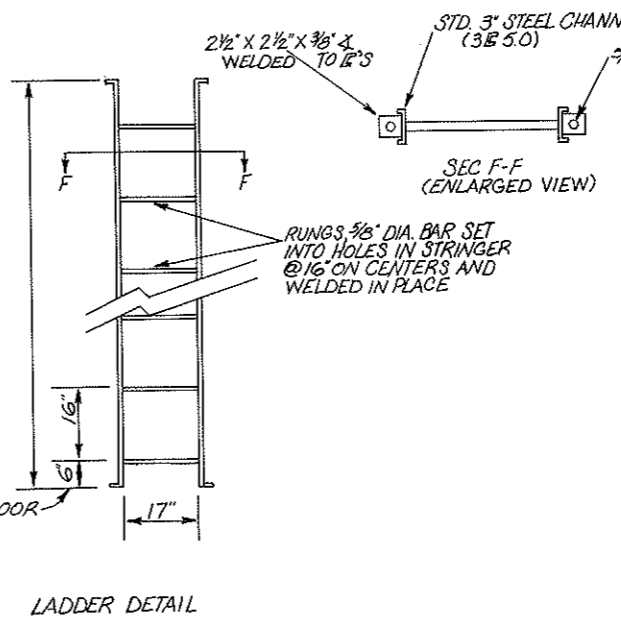
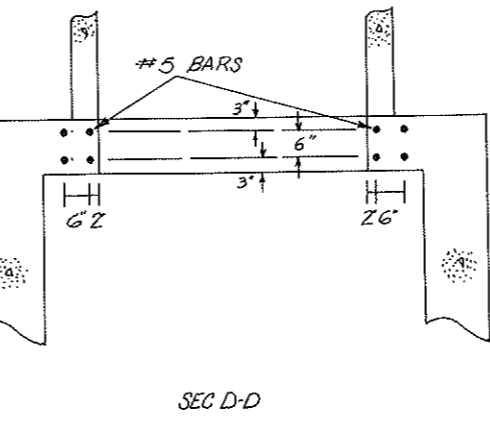
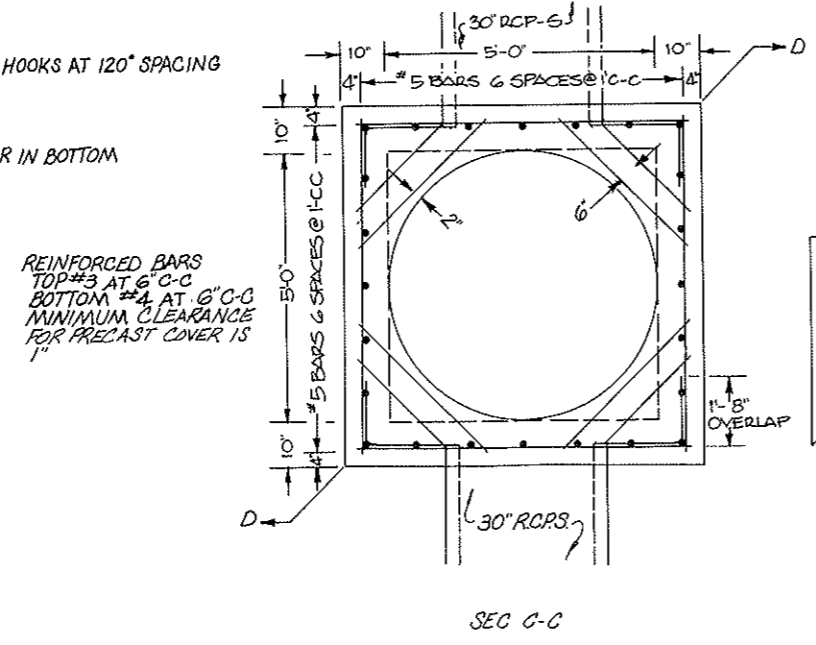
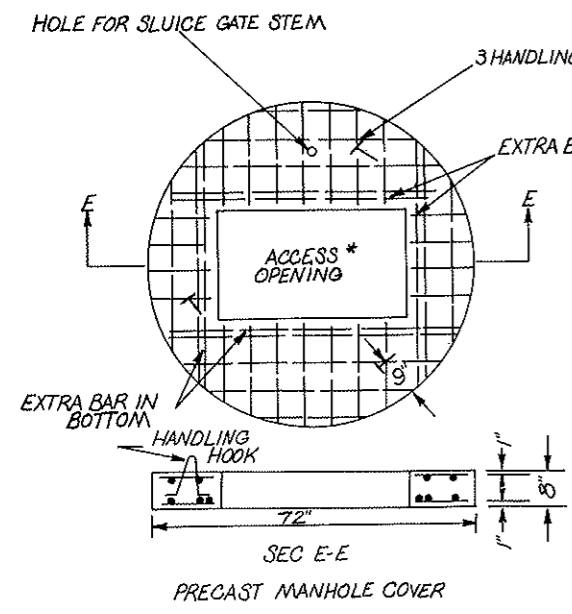


***NOTE:**
 THE FOLLOWING DETAILS SHALL BE DETERMINED BY THE MANUFACTURER OF THE SLUICE GATE

1. SIZE AND TYPE OF LIFT
2. STEM SIZE AND LOCATION OF THE HOLE IN THE COVER FOR THE STEM
3. DIMENSIONS OF ACCESS COVER AND OPENING

CLEARANCES ARE 3" EXCEPT WHERE LISTED OTHERWISE

ALL REINFORCING STEEL SHALL BE LAPPED 40 BAR DIAMETERS



NOTE: USE 5/8" GALV. LAG BOLTS 3 1/2" LONG TO ANCHOR LADDER TO FLOOR AND CEILING.