

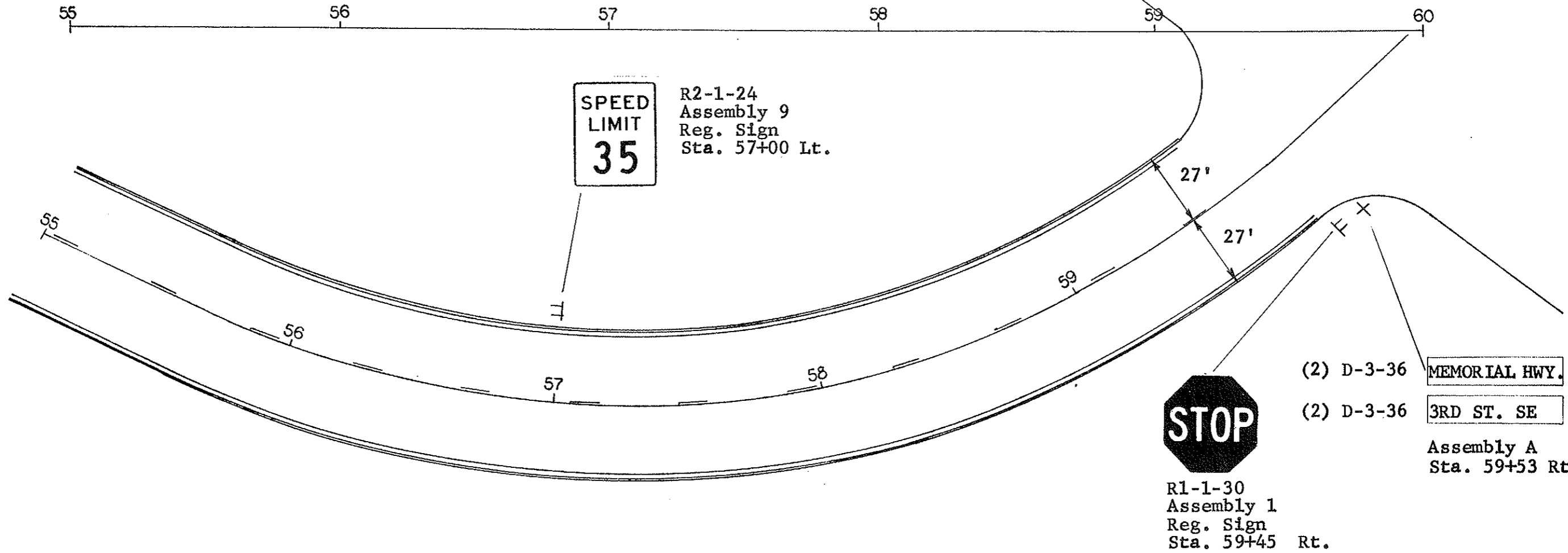
INSTALL PAVEMENT MARKINGS, DROP ON BEADS, TYPE II

Center Line 4" Yellow, 10' Line-30' Skip 120 LF

FHWA REGION	STATE	FED. AID PROJ. NO.	SHEET NO.
8	N.D.	M-1-988(02)000	43

(2) D-3-36 3rd St. SE
 (2) D-3-36 MEMORIAL HWY.

Assembly A
 Sta. 59+86 Lt.



(2) D-3-36 MEMORIAL HWY.
 (2) D-3-36 3RD ST. SE
 Assembly A
 Sta. 59+53 Rt.



R1-1-30
 Assembly 1
 Reg. Sign
 Sta. 59+45 Rt.

SPEED
 LIMIT
35
 R2-1-24
 Assembly 9
 Reg. Sign
 Sta. 57+00 Lt.

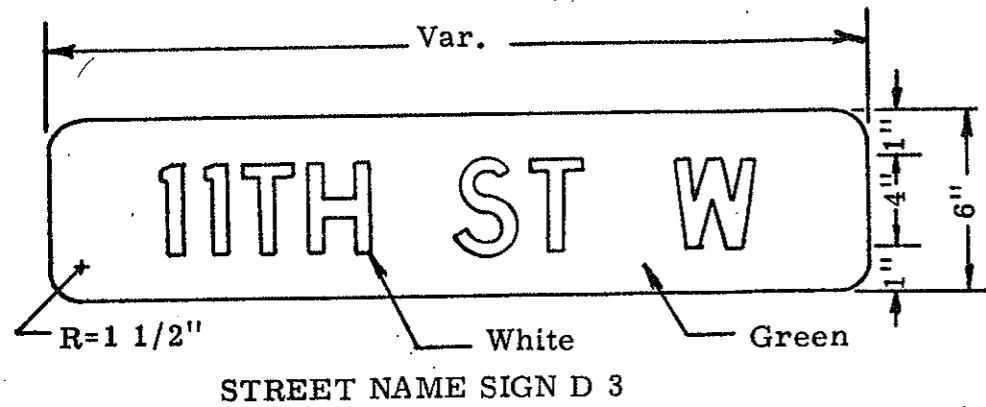
SIGNING LAYOUT

3rd St. S.E.
 Mandan, N.D.

This document paid for with state money

Ground Mounted Street Name sign 4" Letters

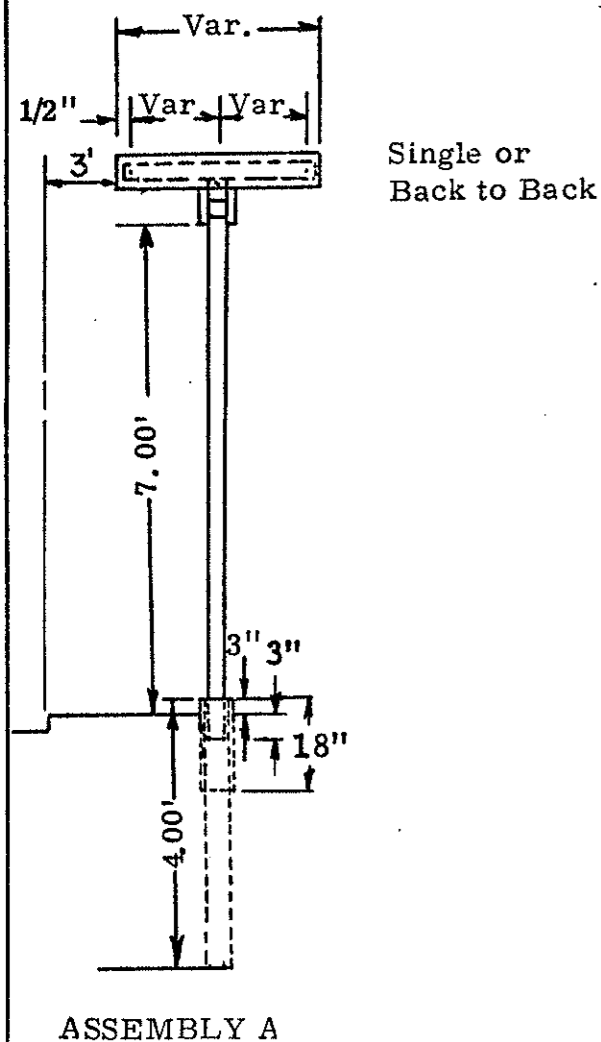
FHWA REGION	STATE	FED. AID PROJ NO	SHEET NO
8	ND.	M-1-988(02)	4-4



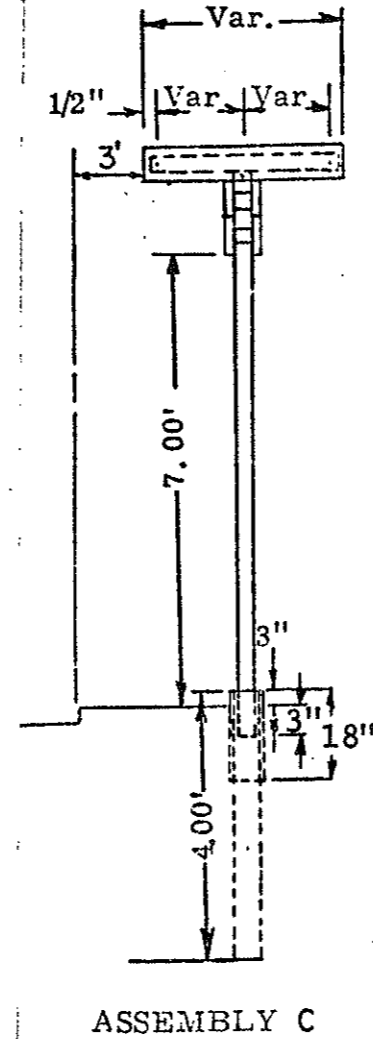
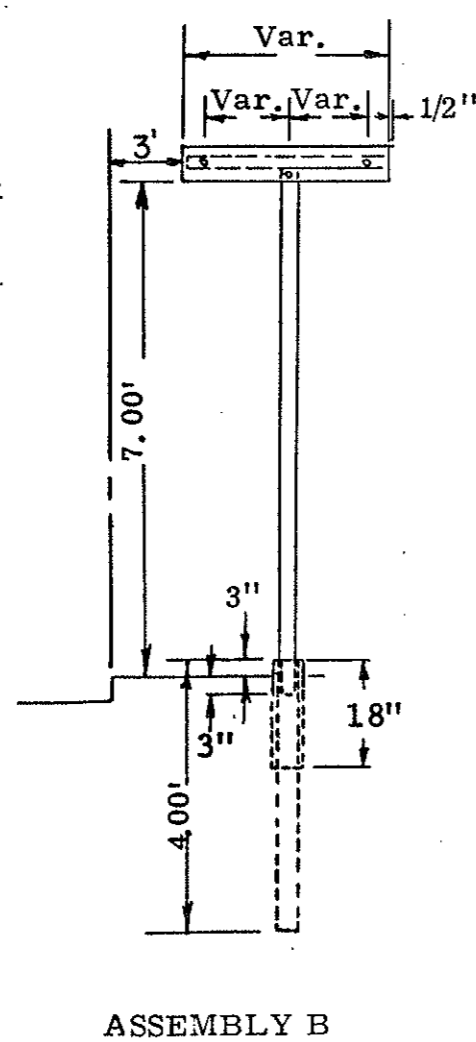
NOTE: The ground mounted street name sign areas have been calculated using a 6"x36" sign panel. The city shall determine the size needed and inform the Contractor of the exact length required to accommodate the message in accordance with the following legend.

Size and Series: Street name signs 24", 30" or 36" standard lengths shall be fabricated using the following size and series capital letters:

Length	Street Name or Number
24" Length	4" B, C, D Series
30" Length	4" B, C, D Series
36" Length	4" A, B, C, D Series



Single or Back to Back



To provide maximum legibility, the widest series letter shall be used whenever possible for each of the standard lengths specified. A minimum distance of 1/2" shall be allowed between legend and ends of the sign. The actual area shall be paid for at the contract unit price.

MATERIAL:

Sign Backing: The sign backing material thickness shall be as follows:

Steel: 14 Guage

Aluminum: Aluminum Alloy 6061-T6 shall have the minimum thicknesses of 0.080 inch.

Stringers: All stringers shall be square tube perforated, the same size as support post.

Holes: All holes shall be punched round for 3/8" diameter bolts.