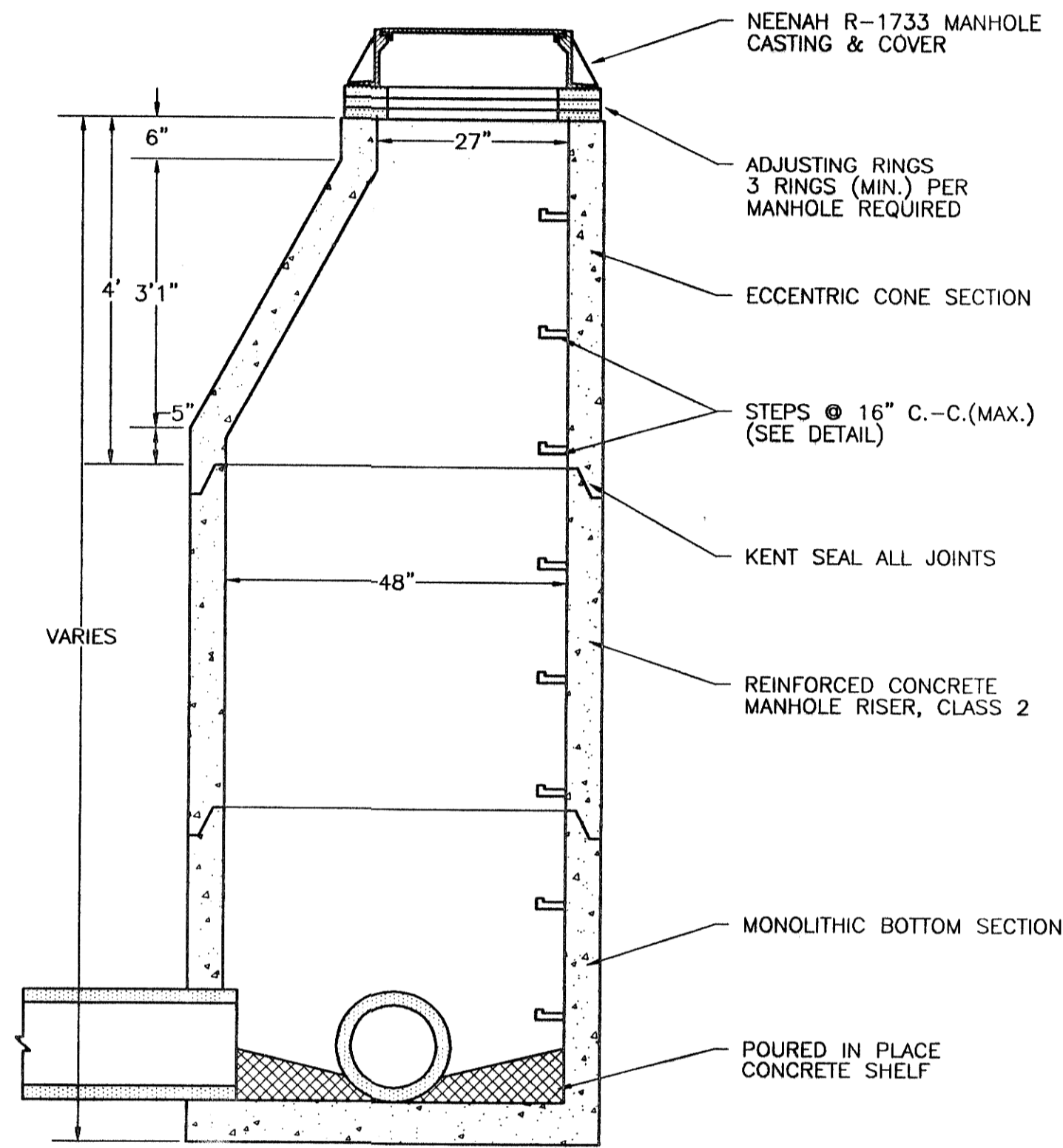
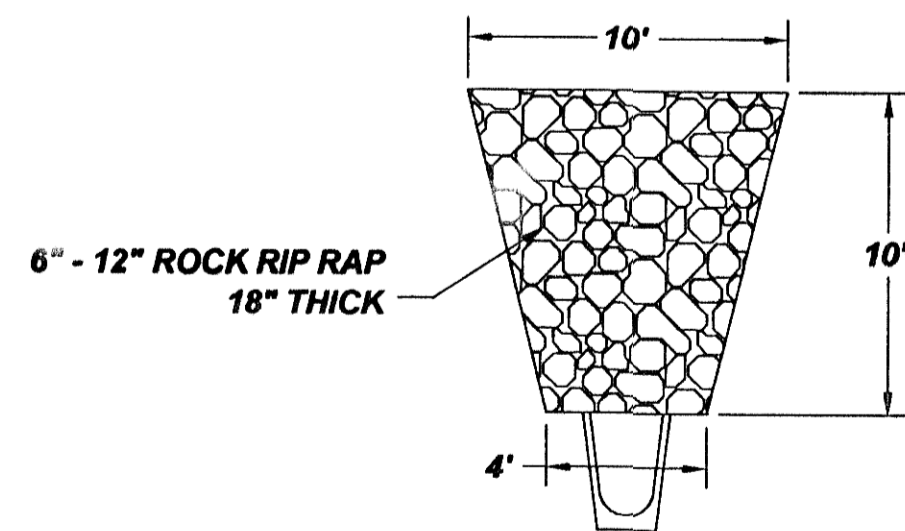


STEP DETAIL



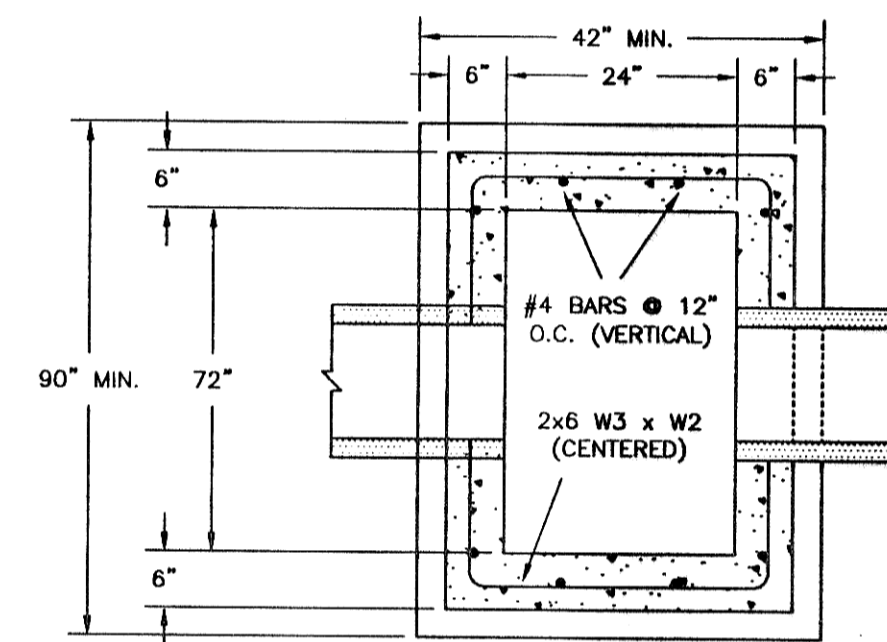
STANDARD MANHOLE DETAIL

NO SCALE

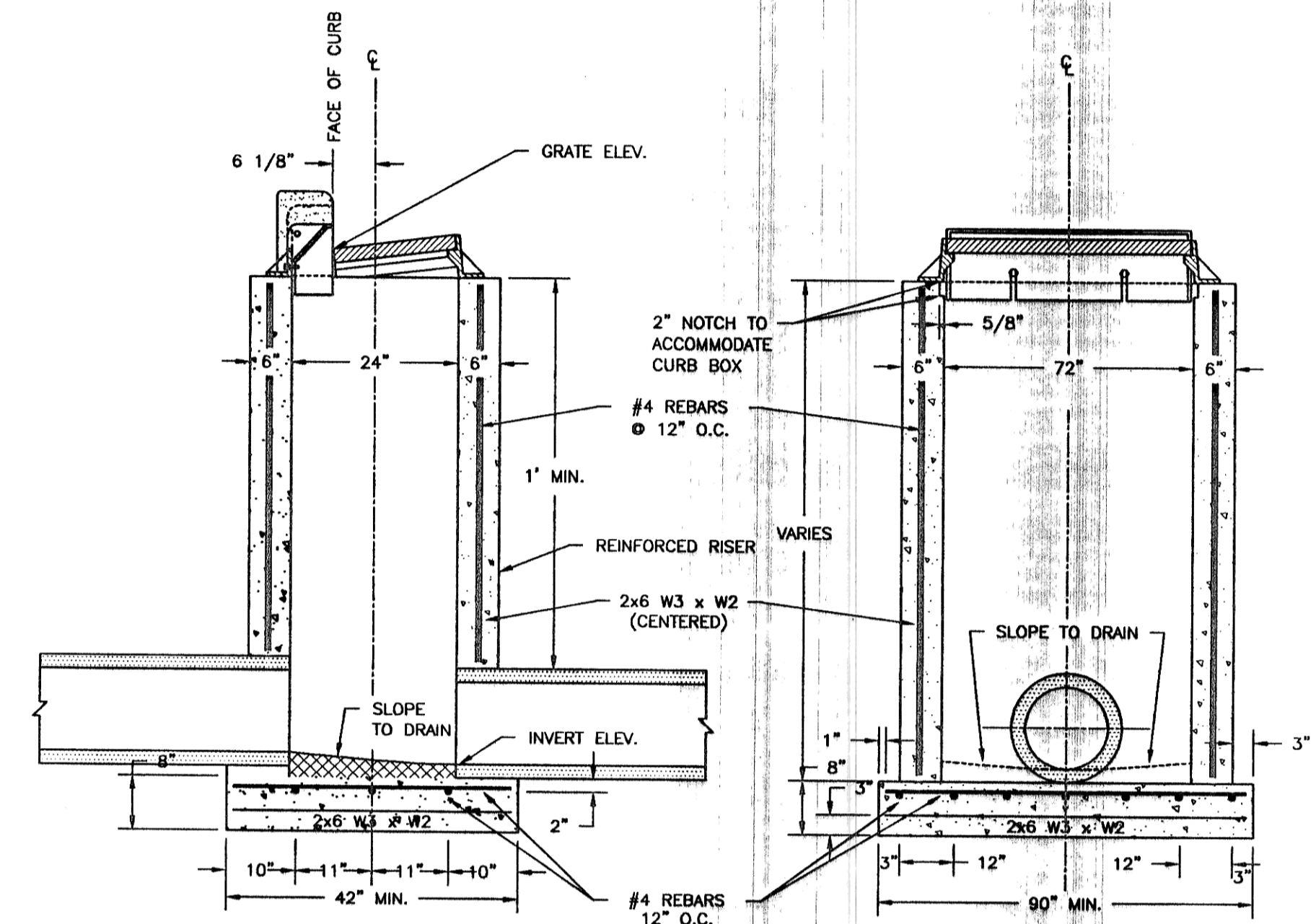


ROCK RIP RAP DETAIL

NO SCALE



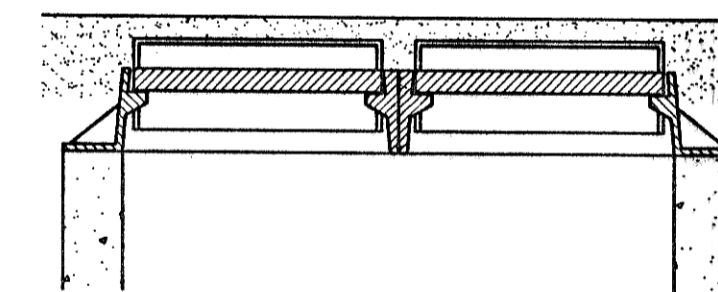
TOP



SIDE ELEVATION

FRONT ELEVATION

NO SCALE



PRECAST DOUBLE INLET DETAIL

NO SCALE



Rev'd.		MEADOWS 2ND ADDITION		SHEET NO.	
		STREET IMPROVEMENT DISTRICT NO. 2005-28		3	
		MANDAN, NORTH DAKOTA			
Kadmas Lee & Jackson		DETAILS			
Engineers Surveyors Planners		DRWN BY	CHK'D BY	CHK'R. NO.	DATE
		ADA	BE	1406103	04/26/06
J:\municipal\1406103 - Meadows Streets\CADD\EP\1406103base.dwg					
© Kadmas, Lee & Jackson, Inc. 2006					

RECORD DRAWING