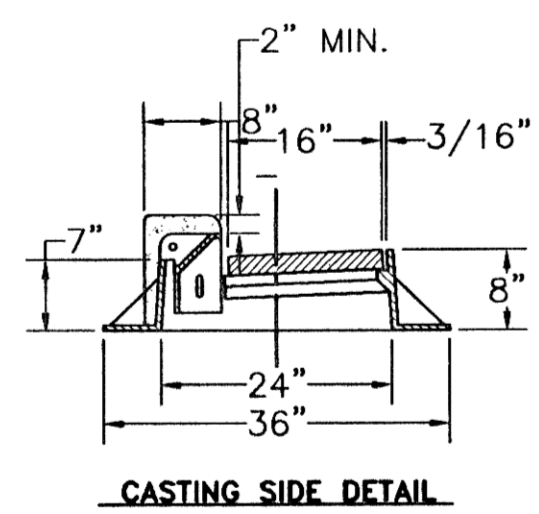
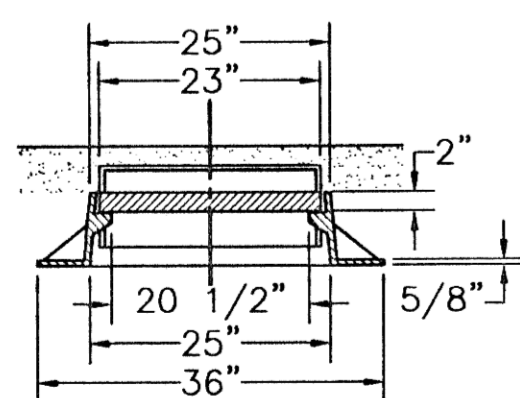


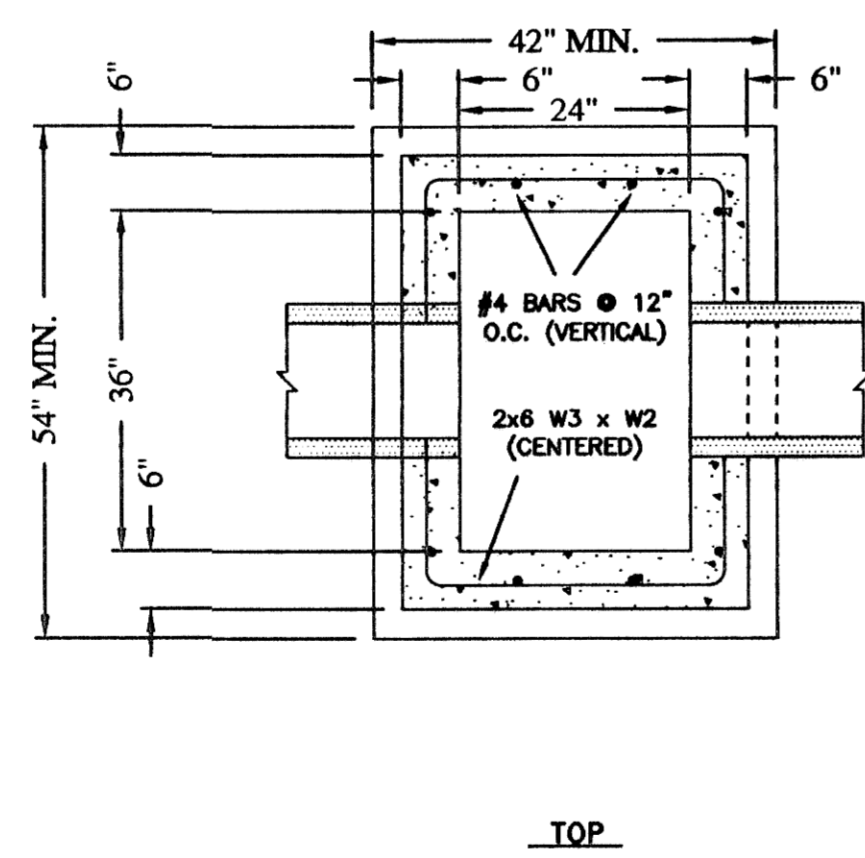
STANDARD MANHOLE DETAIL
NO SCALE



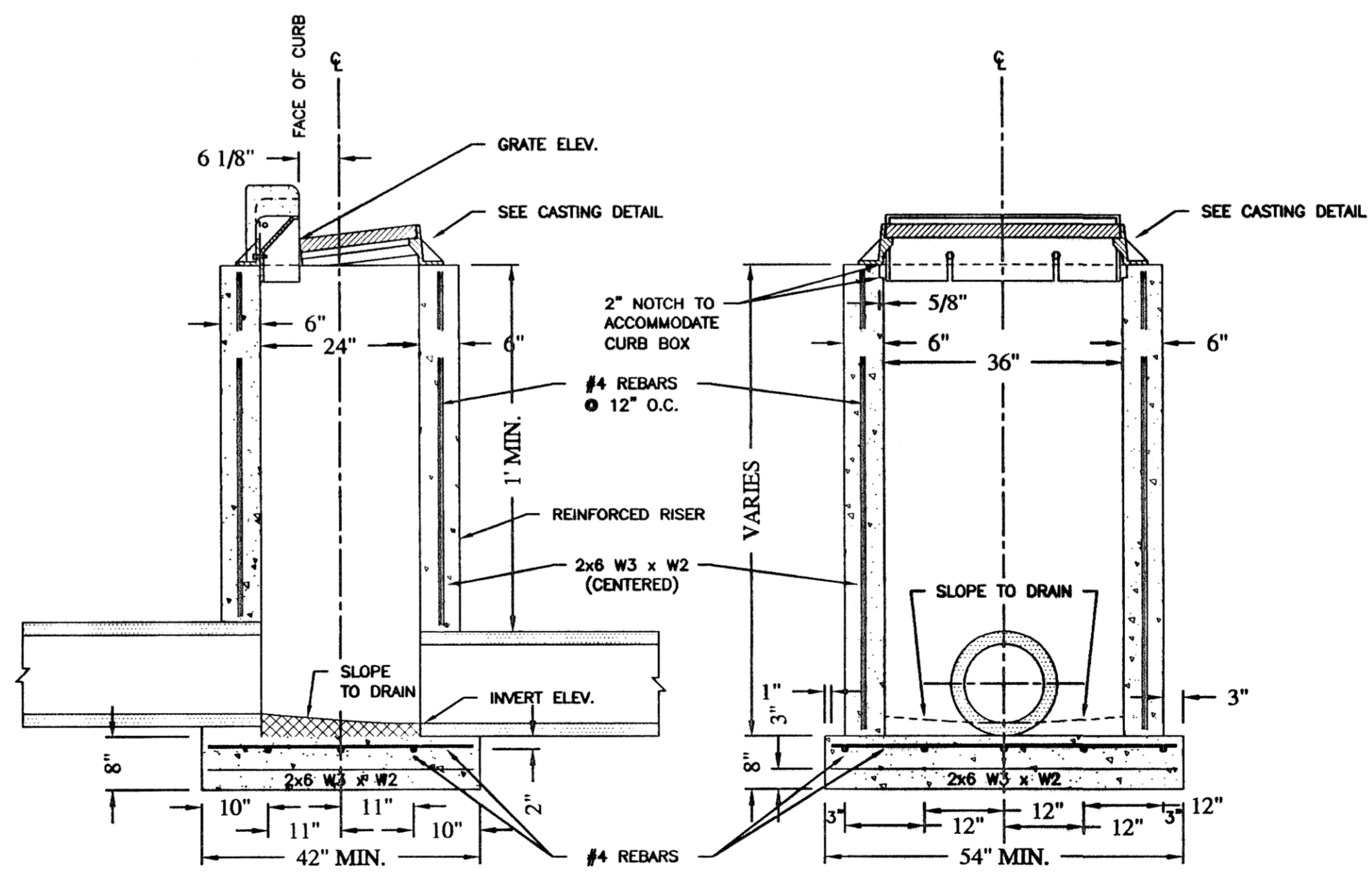
CASTING SIDE DETAIL



CASTING FRONT DETAIL



TOP



INLET DETAILS
NO SCALE



RECORD DRAWING

Rev'd.		PLAINVIEW HEIGHTS TENTH ADDITION		SHEET NO.	
STREET IMPROVEMENT DISTRICT NO. 2006-01		MANDAN, NORTH DAKOTA		3	
Kadmas Lee & Jackson		DETAILS			
DRWN. BY	CHK'D BY	CMP'R. NO.	DATE		
ADA	TK	1406104	04/26/06		
J:\municipal\1406104 - Plainview 10th Streets\CADD\EP\1406104bas.DWG					
© Kadmas, Lee & Jackson, Inc. 2006					