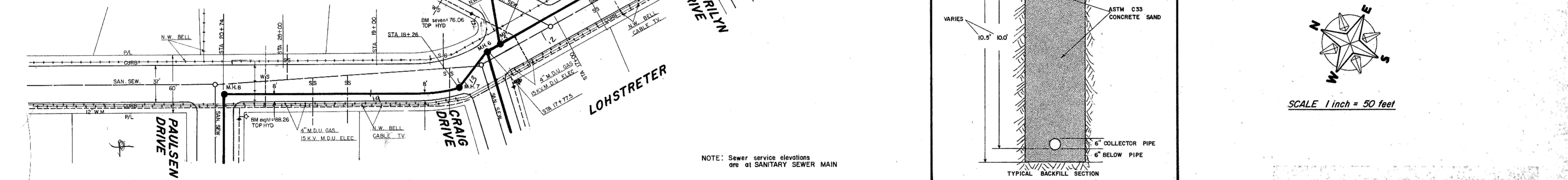
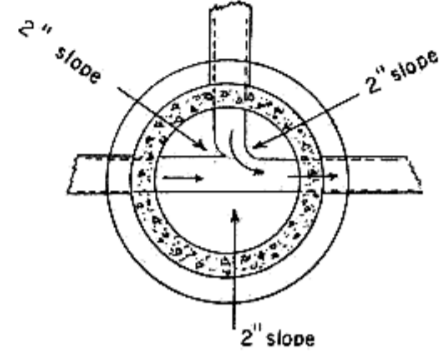
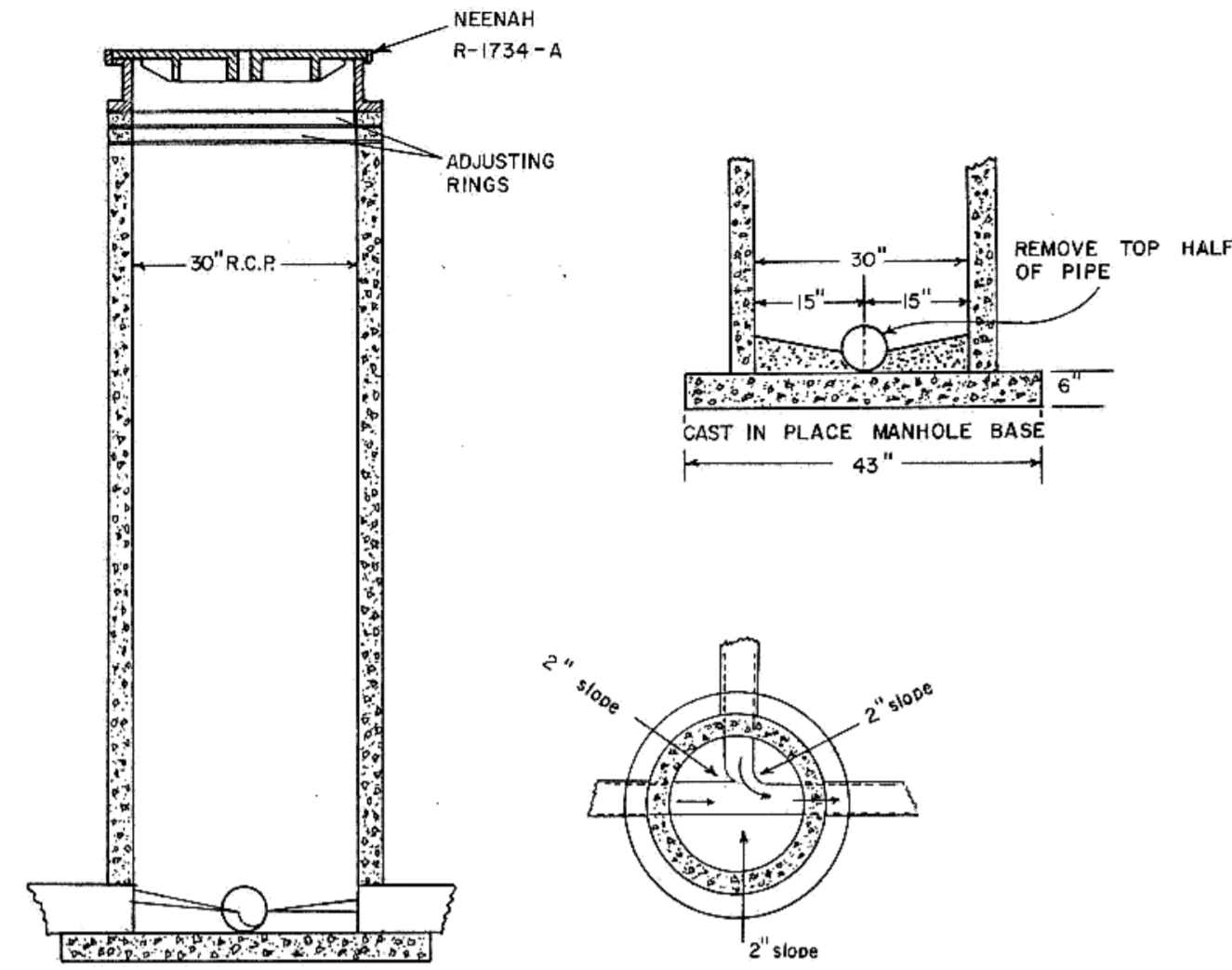
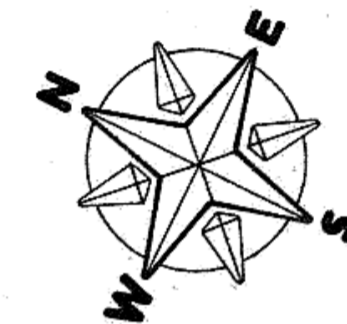
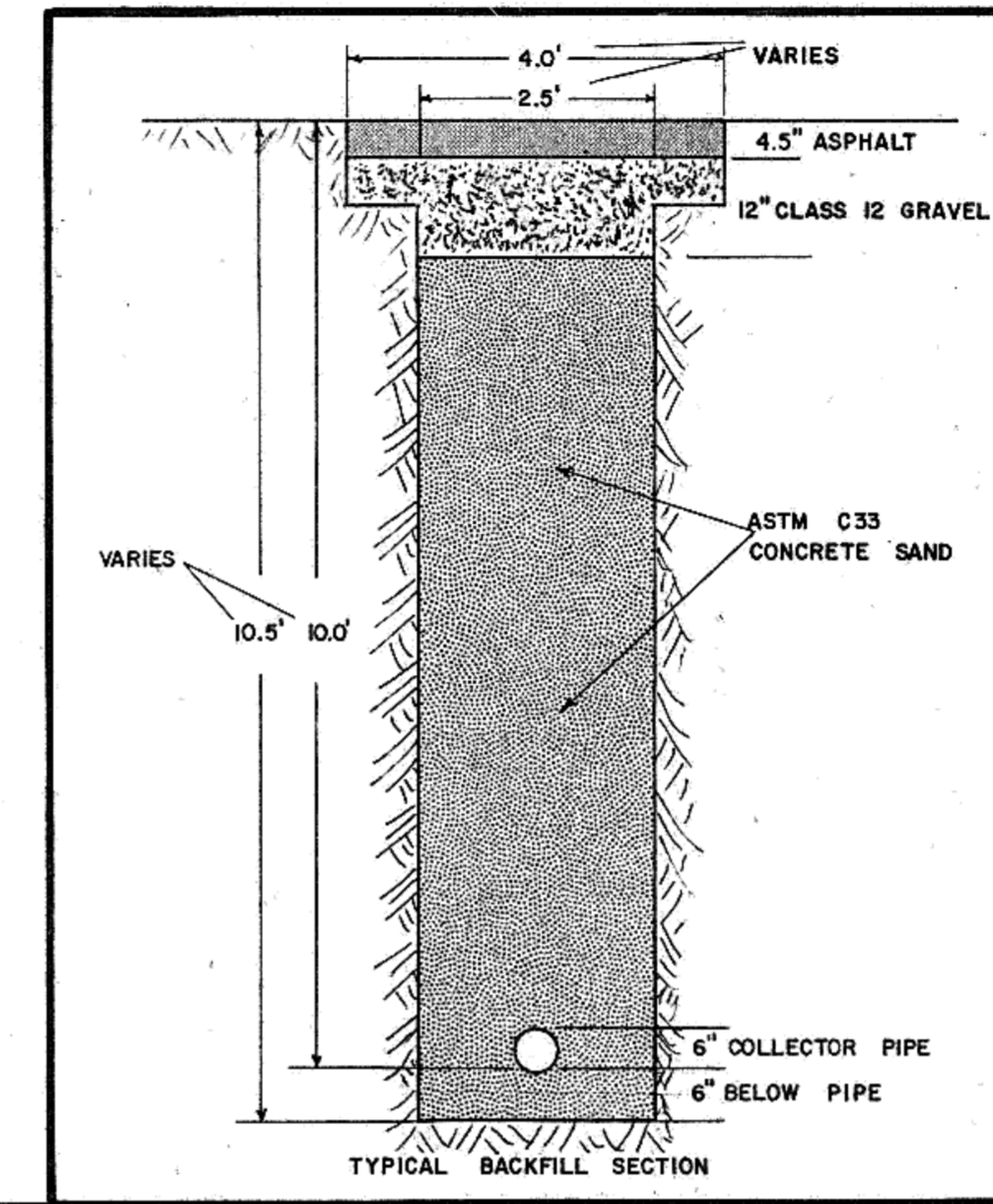


PLAN	DATE
NO. 1	
NO. 2	
NO. 3	
NO. 4	
NO. 5	
NO. 6	
NO. 7	
NO. 8	
NO. 9	
NO. 10	

PROFILE	DATE
NO. 1	
NO. 2	
NO. 3	
NO. 4	
NO. 5	
NO. 6	
NO. 7	
NO. 8	
NO. 9	
NO. 10	



NOTE: Sewer service elevations are at SANITARY SEWER MAIN



SCALE 1 inch = 50 feet

DETAIL "A"

DATE	REV. BY	APPR. BY	DESCRIPTION
			CITY OF MANDAN, NORTH DAKOTA ENGINEERING DEPARTMENT
6" PERFORATED UNDERDRAIN ON LOHSTRETER ROAD from PAULSEN DR to 4th ST. N.W.			
CITY ENGR.	TOM LITTLE	DRAWN BY	BILL BEMENT
APPROVED BY	TOM LITTLE	CHECKED BY	TOM LITTLE
PROJECT NO.	87-5	DISTRICT NO.	73
		SCALE:	1 inch = 50 feet
		DATE:	OCT 1986
		SHEET:	3 OF 4

