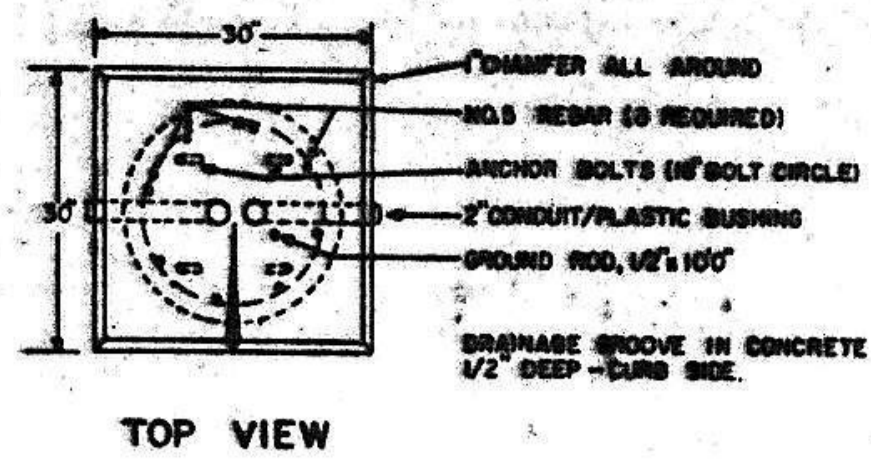
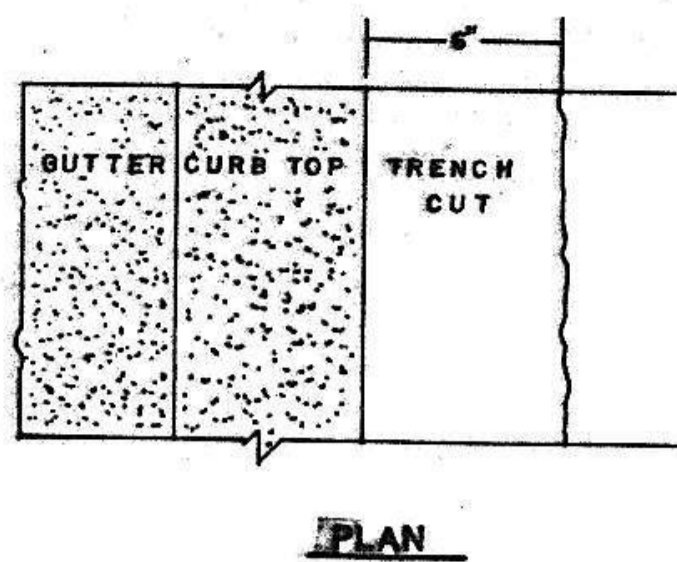


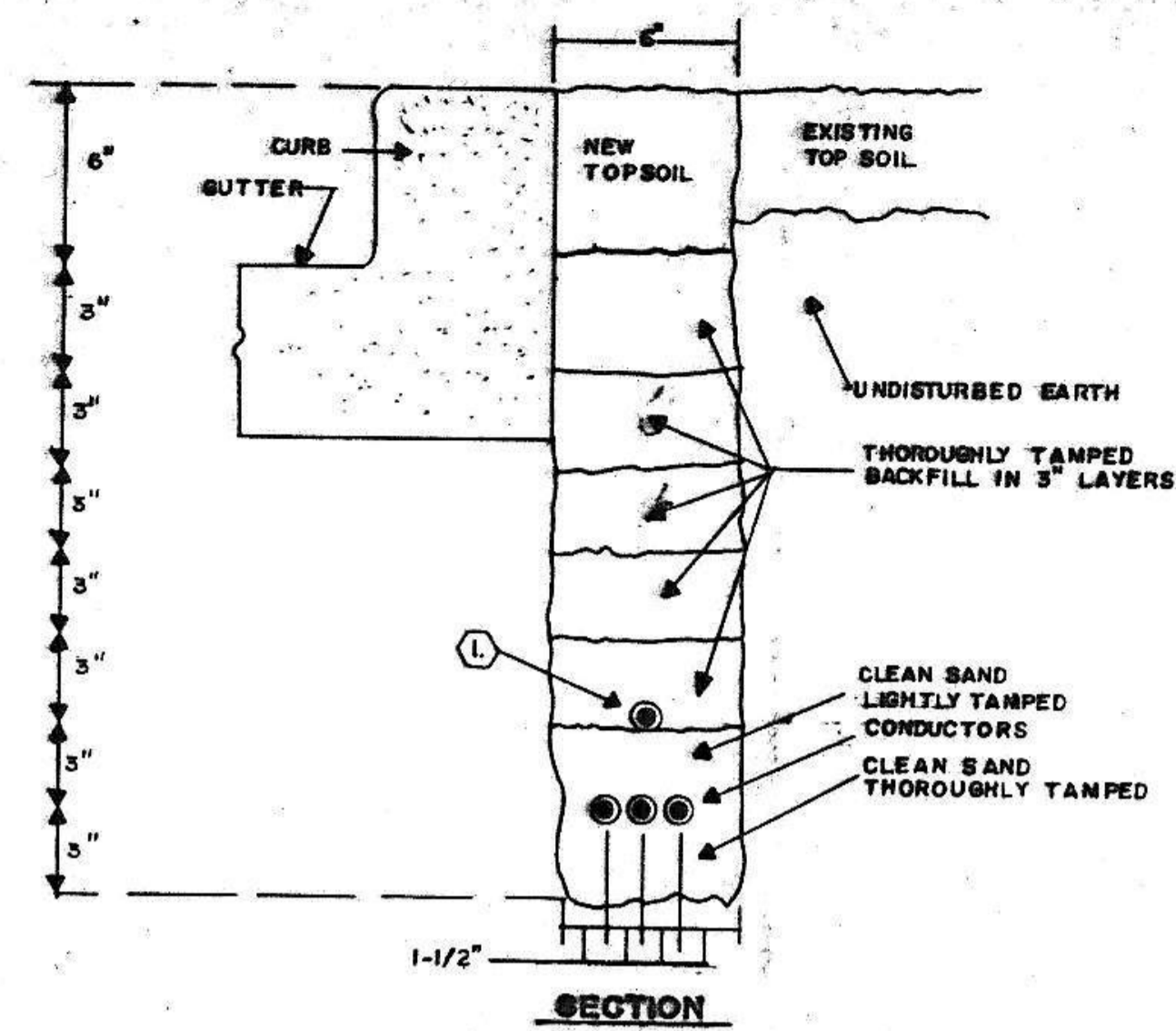
**7**  
**E3** BASE DETAIL  
NO SCALE



TOP VIEW



PLAN

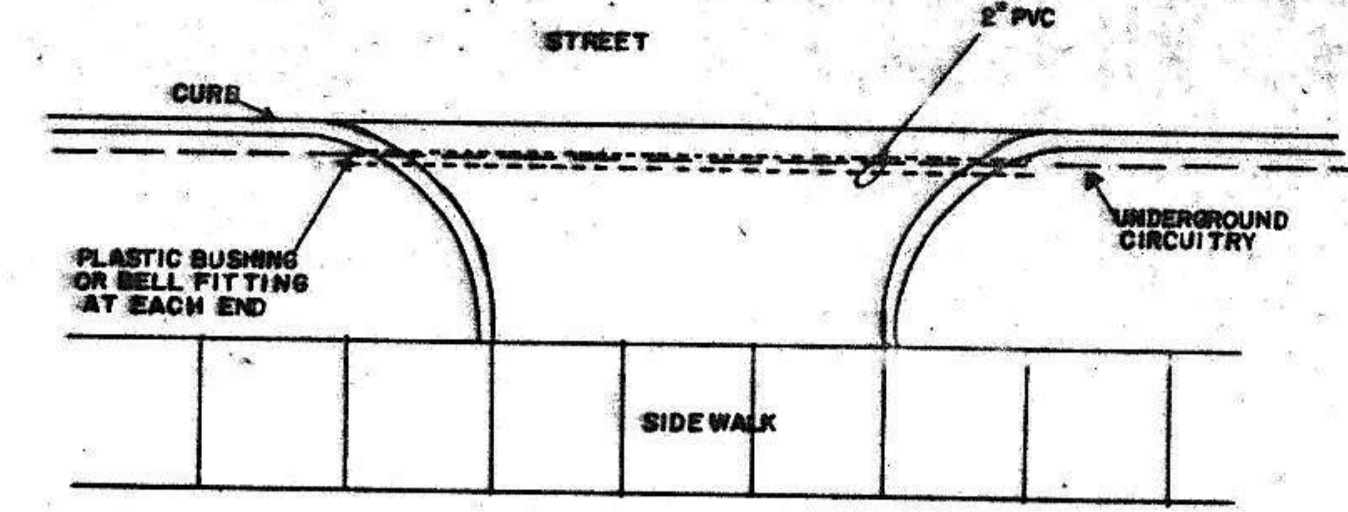


SECTION

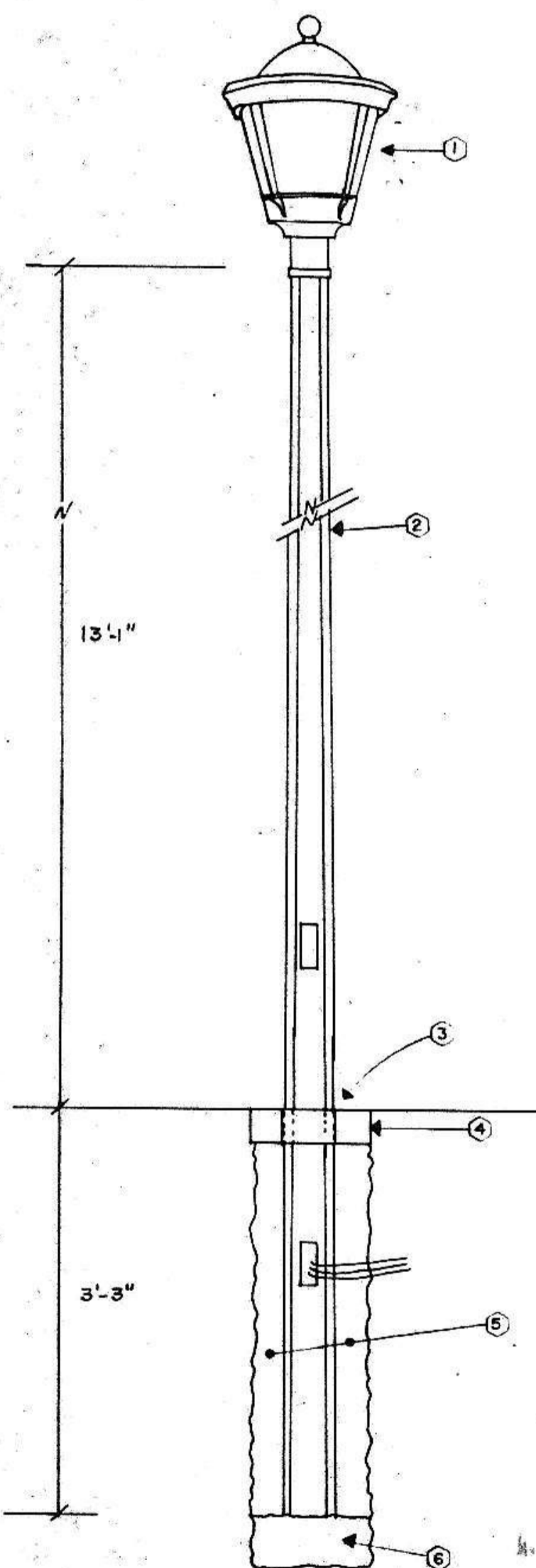
NOTES: DETAIL 3/E3

1. PROVIDE #8 GROUNDING CONDUCTOR FOR METAL STREET LIGHT STANDARDS AS PER NCC 24-02-01-06-2A. INSTALL AT 24\"/>

**3**  
**E3** UNDERGROUND CABLE INSTALLATION  
NO SCALE



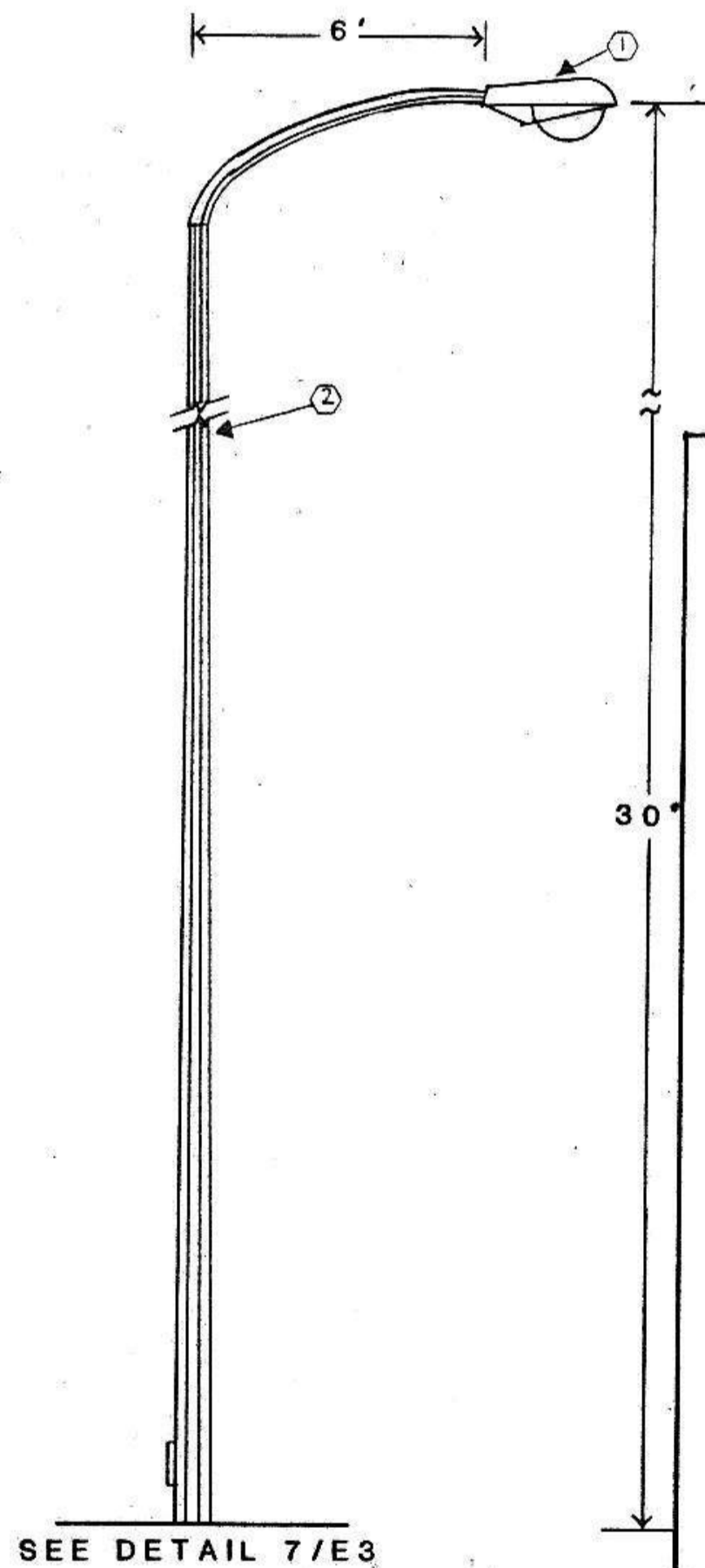
**4**  
**E3** DRIVEWAY DETAIL  
NO SCALE



**2**  
**E3** TYPE A LIGHT DETAIL  
NO SCALE

NOTES: DETAIL 2/E3

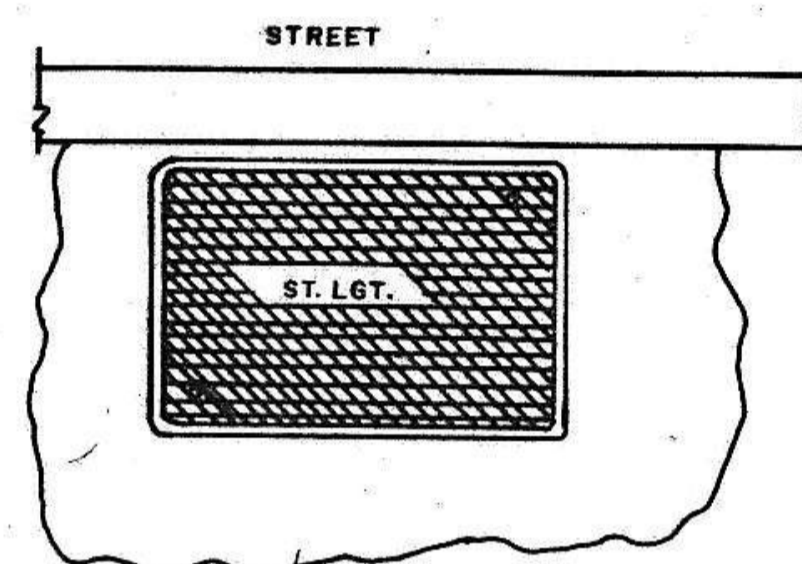
1. SEE SPECIFICATION 16.10 A2.
2. SEE SPECIFICATION 16.10 A1 AND 16.11.
3. SEE SPECIFICATION 16.09 B.
4. SEE SPECIFICATION 16.09 A.
5. SEE SPECIFICATION 16.09 C.
6. SEE SPECIFICATION 16.09 D.



**1**  
**E3** TYPE B LIGHT DETAIL  
NO SCALE

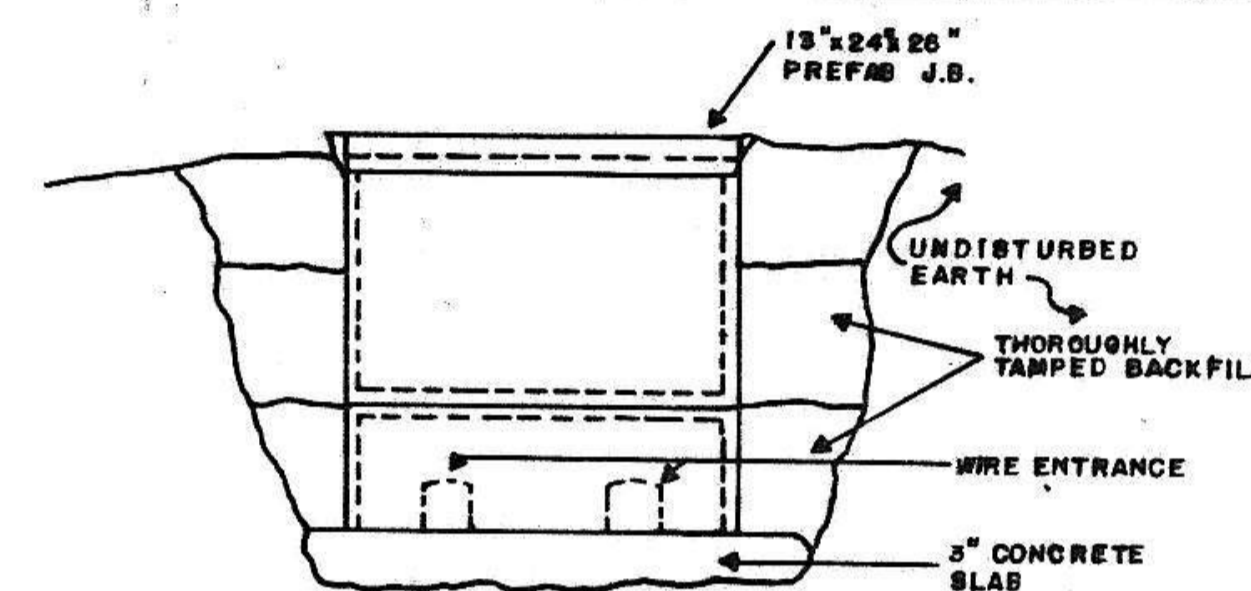
NOTES: DETAIL 1/E3

1. SEE SPECIFICATION 16.10 B2.
2. SEE SPECIFICATION 16.10 B1.



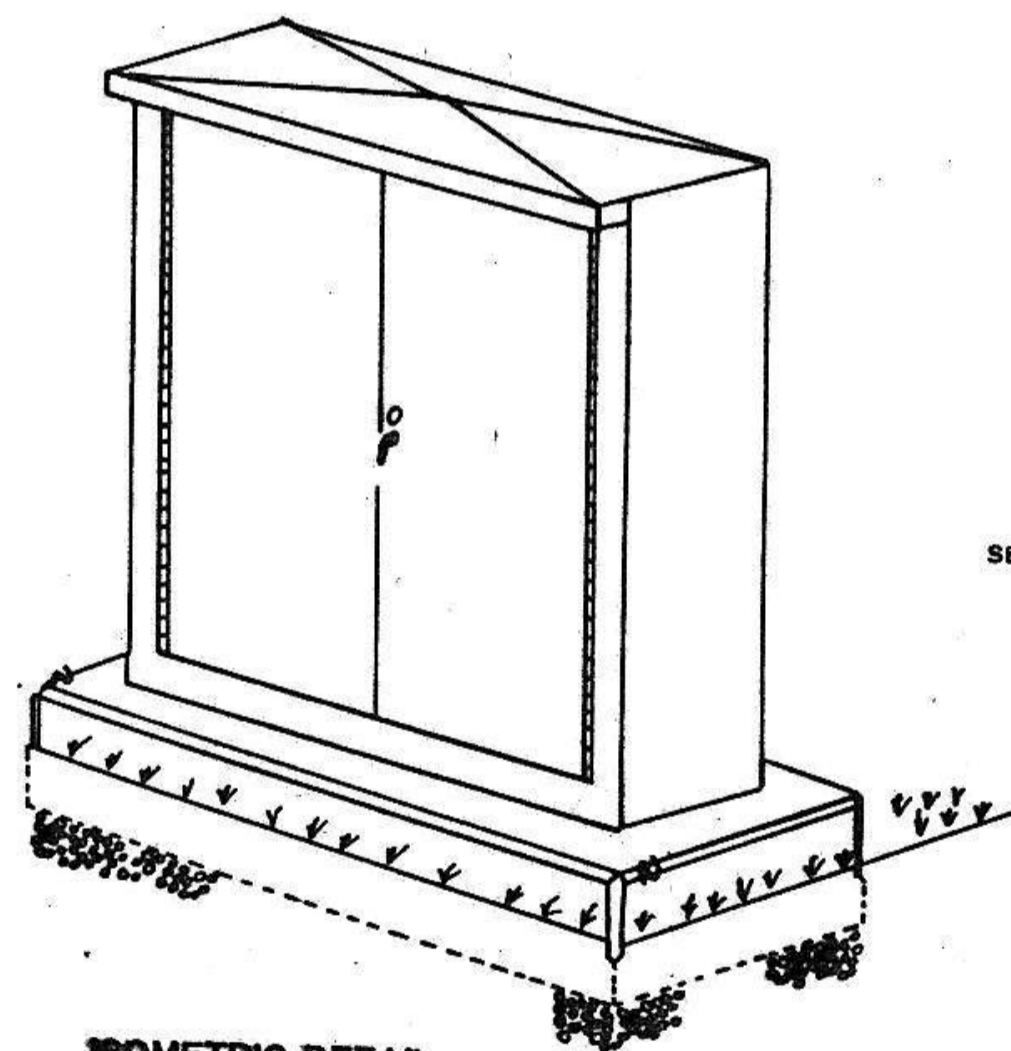
PLAN

SEE SPEC 1607



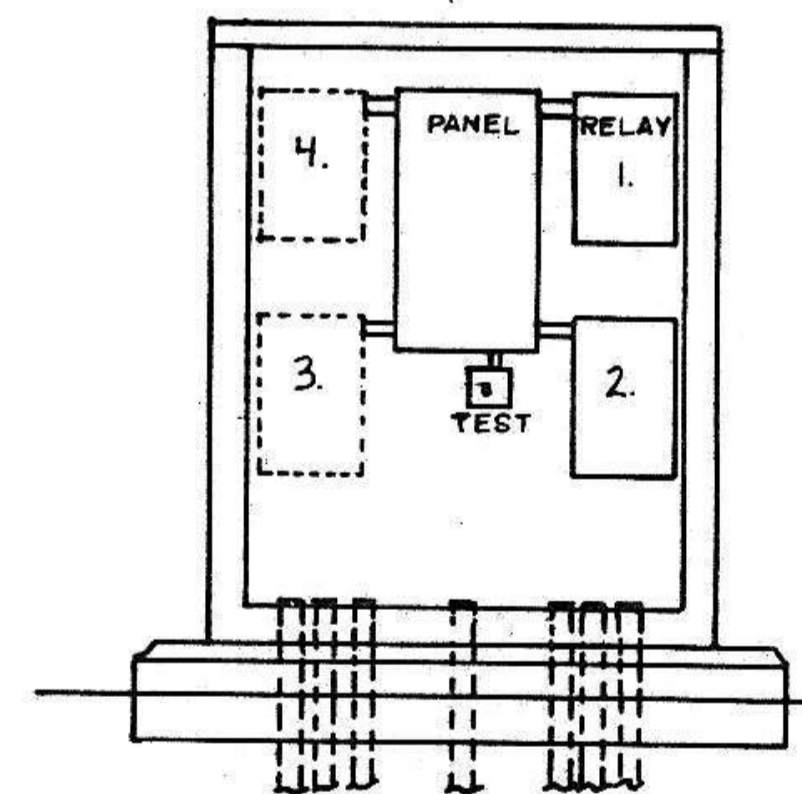
SECTION

**5**  
**E3** JUNCTION BOX DETAIL  
NO SCALE



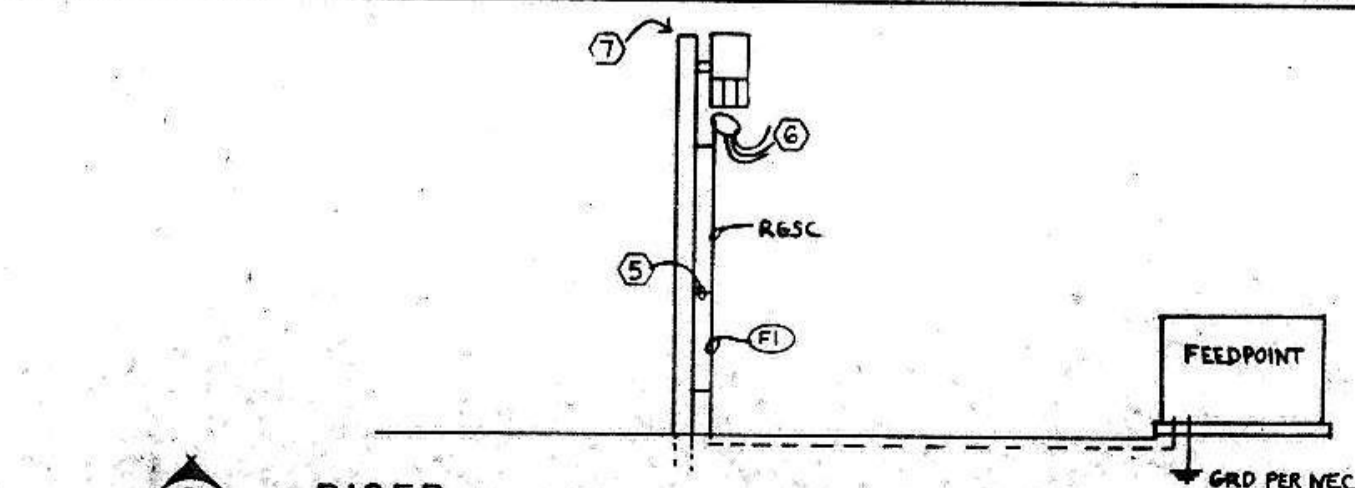
ISOMETRIC DETAIL

SEE SPEC 1608



ELEVATION

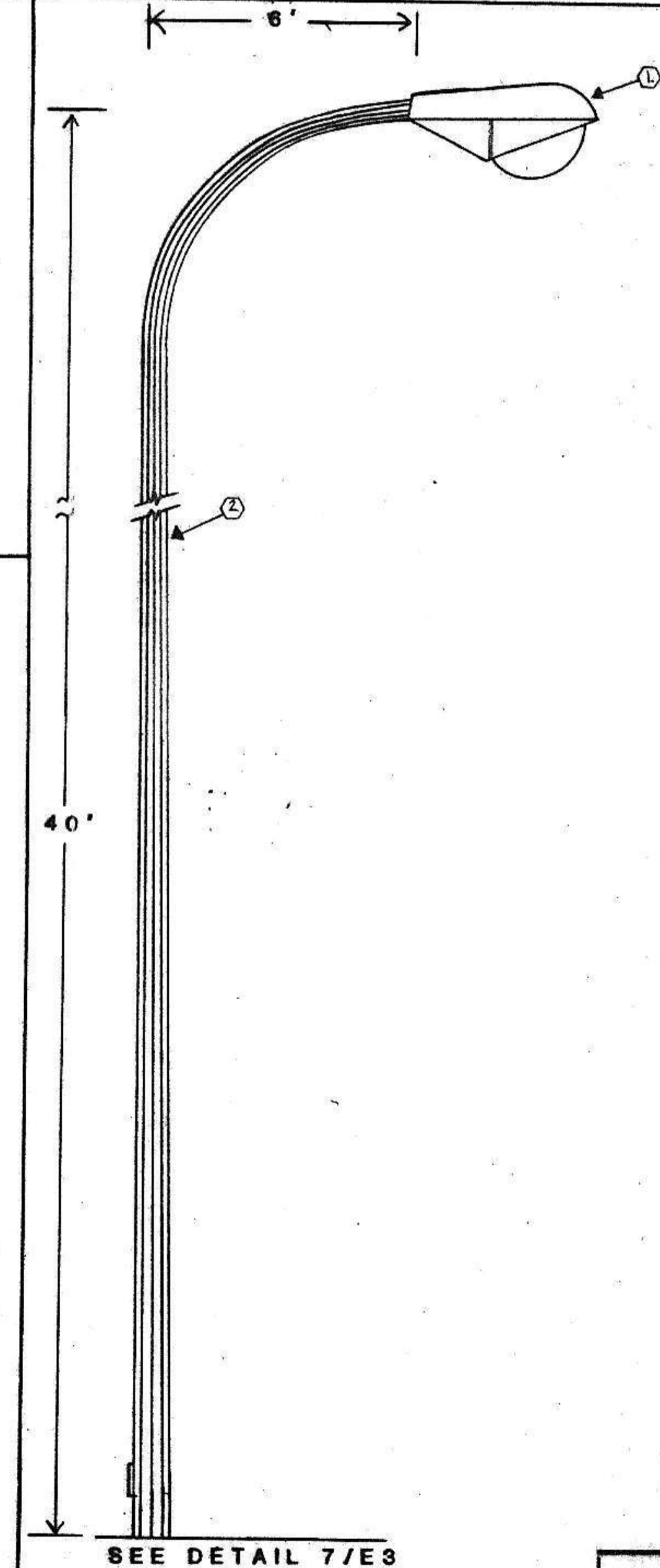
**6**  
**E3** FEED POINT  
NO SCALE



**9**  
**E3** RISER  
NO SCALE

NO.	DESCRIPTION	QUANTITY	UNIT	AMOUNT	PRICE	TOTAL
1	1\"/>	1	EA	1	12.00	12.00
2	2\"/>	1	EA	1	12.00	12.00
3	3\"/>	1	EA	1	12.00	12.00
4	4\"/>	1	EA	1	12.00	12.00
5	5\"/>	1	EA	1	12.00	12.00
6	6\"/>	1	EA	1	12.00	12.00
7	7\"/>	1	EA	1	12.00	12.00
8	8\"/>	1	EA	1	12.00	12.00
9	9\"/>	1	EA	1	12.00	12.00
10	10\"/>	1	EA	1	12.00	12.00
11	11\"/>	1	EA	1	12.00	12.00
12	12\"/>	1	EA	1	12.00	12.00
13	13\"/>	1	EA	1	12.00	12.00
14	14\"/>	1	EA	1	12.00	12.00
15	15\"/>	1	EA	1	12.00	12.00
16	16\"/>	1	EA	1	12.00	12.00
17	17\"/>	1	EA	1	12.00	12.00
18	18\"/>	1	EA	1	12.00	12.00
19	19\"/>	1	EA	1	12.00	12.00
20	20\"/>	1	EA	1	12.00	12.00
21	21\"/>	1	EA	1	12.00	12.00
22	22\"/>	1	EA	1	12.00	12.00
23	23\"/>	1	EA	1	12.00	12.00
24	24\"/>	1	EA	1	12.00	12.00
25	25\"/>	1	EA	1	12.00	12.00
26	26\"/>	1	EA	1	12.00	12.00
27	27\"/>	1	EA	1	12.00	12.00
28	28\"/>	1	EA	1	12.00	12.00
29	29\"/>	1	EA	1	12.00	12.00
30	30\"/>	1	EA	1	12.00	12.00
31	31\"/>	1	EA	1	12.00	12.00
32	32\"/>	1	EA	1	12.00	12.00
33	33\"/>	1	EA	1	12.00	12.00
34	34\"/>	1	EA	1	12.00	12.00
35	35\"/>	1	EA	1	12.00	12.00
36	36\"/>	1	EA	1	12.00	12.00
37	37\"/>	1	EA	1	12.00	12.00
38	38\"/>	1	EA	1	12.00	12.00
39	39\"/>	1	EA	1	12.00	12.00
40	40\"/>	1	EA	1	12.00	12.00
41	41\"/>	1	EA	1	12.00	12.00
42	42\"/>	1	EA	1	12.00	12.00
43	43\"/>	1	EA	1	12.00	12.00
44	44\"/>	1	EA	1	12.00	12.00
45	45\"/>	1	EA	1	12.00	12.00
46	46\"/>	1	EA	1	12.00	12.00
47	47\"/>	1	EA	1	12.00	12.00
48	48\"/>	1	EA	1	12.00	12.00
49	49\"/>	1	EA	1	12.00	12.00
50	50\"/>	1	EA	1	12.00	12.00

1. THESE RISERS ARE METALLIC ONLY, AND NOT EXTENDED TO COVER LUG ARRANGEMENTS.
2. SEE SPECIFICATION FOR GROUNDING REQUIREMENTS AND AVAILABLE PVC BRACE.
3. AVAILABLE FAULT CURRENT AT UTILITY COMPANY ENGINEERED NEARBY VARIABLES TO BE SOUND BY APPROVAL. SIZE ESTIMATING BASED ON ALL AVAILABLE SERVICES IN ACCORDANCE WITH AVAILABLE FAULT CURRENT AS PER SEC 210-2. (2-SEPARATE BRACES IF NECESSARY ACCEPTABLE.)
4. EQUIPMENT GROUNDING CONDUCTOR.
5. PROVIDE 4\"/>
7. FIELD VERIFY EXACT LOCATION OF UTILITY COMPANY'S POWER POLE.



SEE DETAIL 7/E3

**8**  
**E3** TYPE C LIGHT DETAIL  
NO SCALE

1. SEE SPECIFICATION 16.10 C2.
2. SEE SPECIFICATION 16.10 C1.



**PRAIRIE ENGINEERING COMPANY**  
CONSULTING CIVIL & ENVIRONMENTAL ENGINEERS  
100 8TH ST. S.W.  
MANDAN, NORTH DAKOTA 58541 • 701-533-0482

Date: JULY 88  
Drawn By: MED  
Checked By: GRD  
Job No.: 18064  
**PRAIRIE ENGINEERING, P.C.**  
PROFESSIONAL CONSULTING ENGINEERS  
MINOT AND BISMARCK, NORTH DAKOTA  
STREET IMPROVEMENT DISTRICT NO. 81  
MANDAN, NORTH DAKOTA  
DETAILS  
Sheet E3 of 3