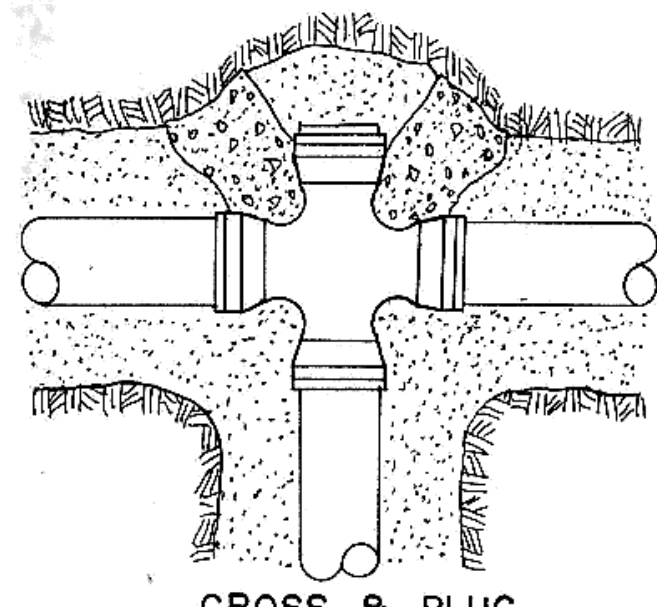
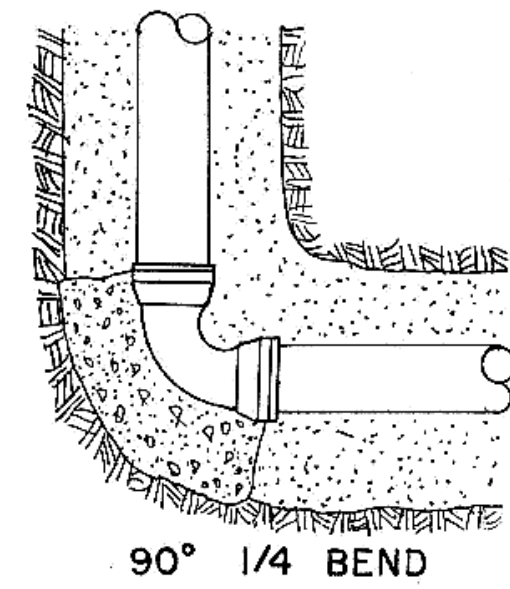


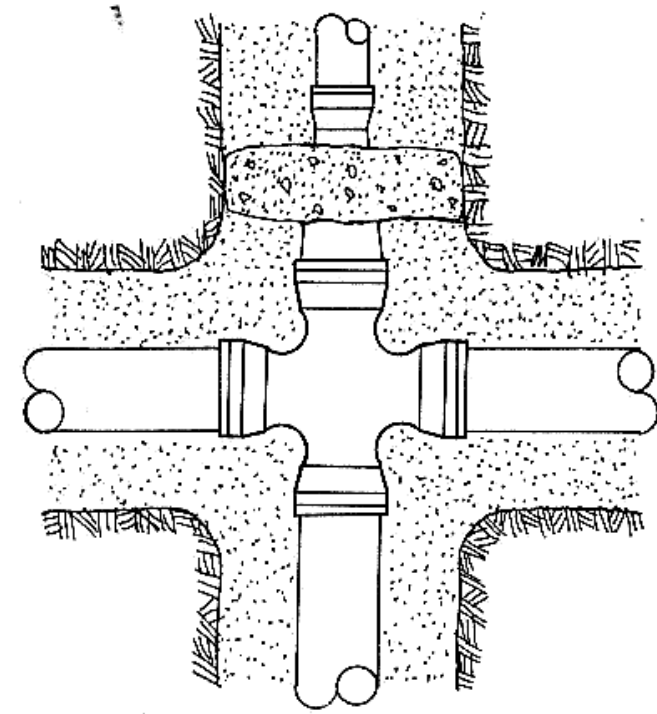
THRUST BLOCK DETAILS



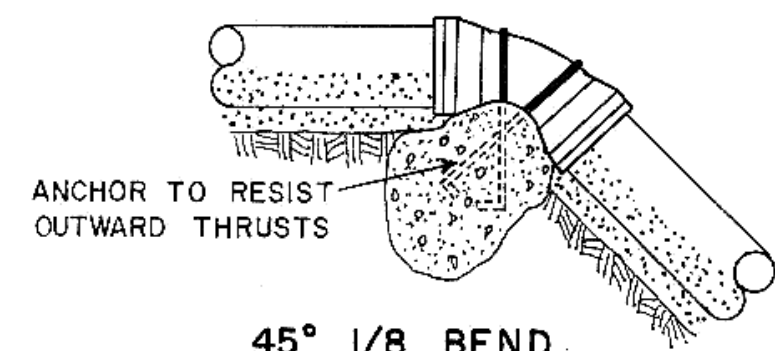
CROSS & PLUG



90° 1/4 BEND

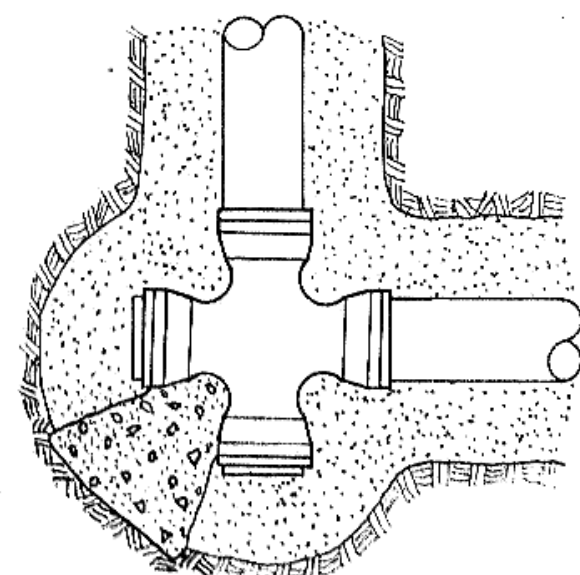


CROSS & REDUCER

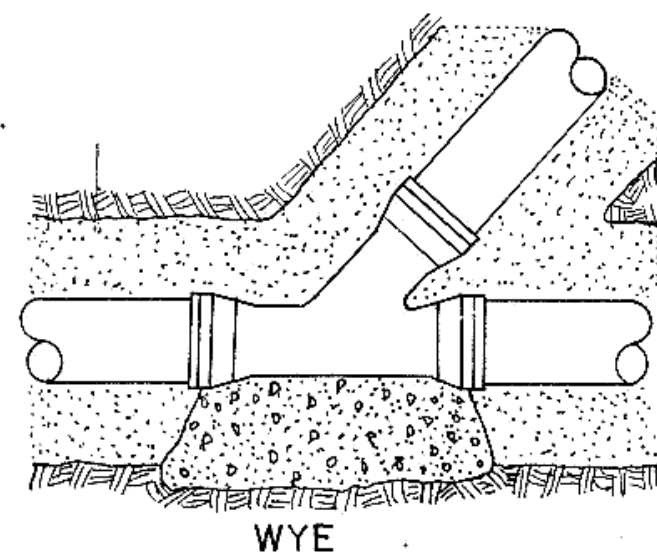


ANCHOR TO RESIST
OUTWARD THRUSTS

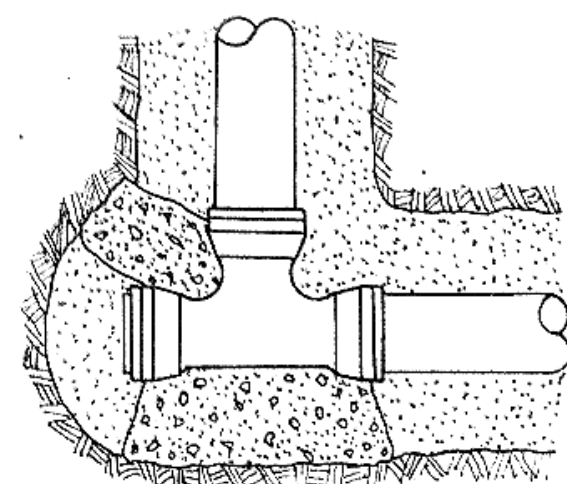
45° 1/8 BEND
22 1/2° 1/16 BEND



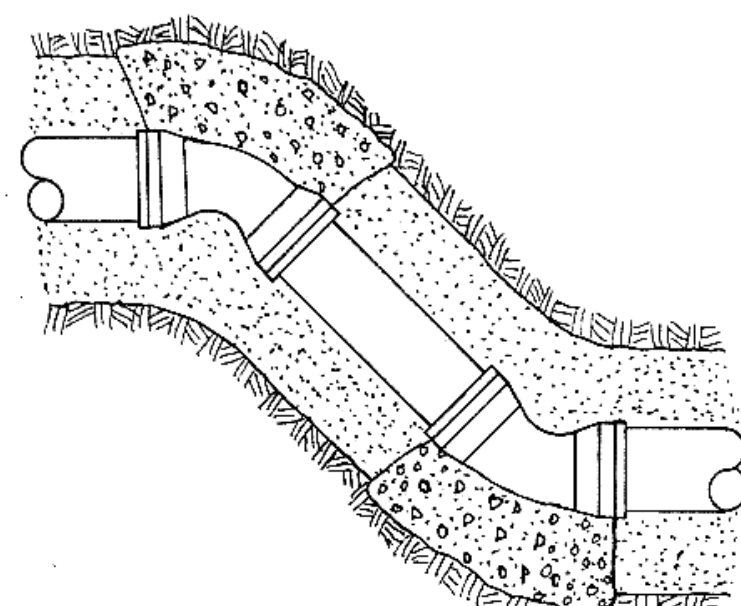
CROSS & PLUGS



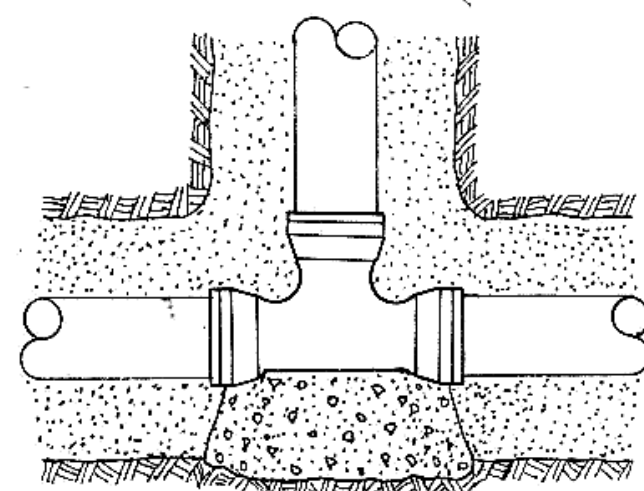
WYE



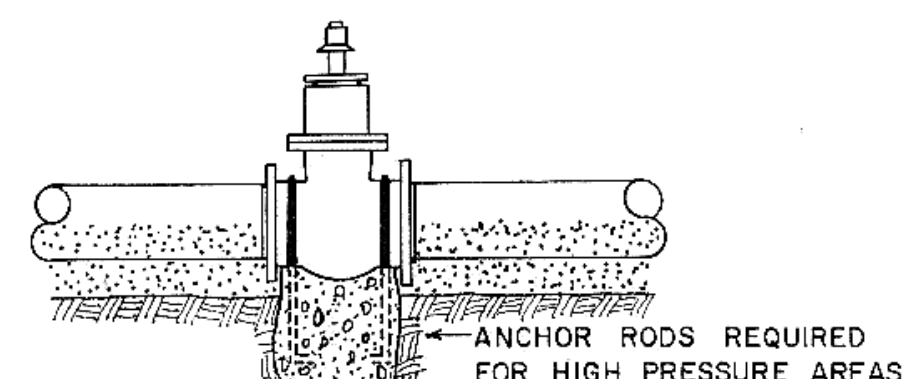
TEE & PLUG



45° 1/8 OFFSET

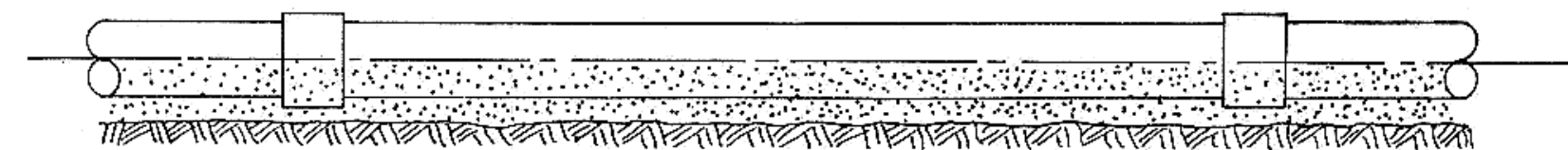


TEE

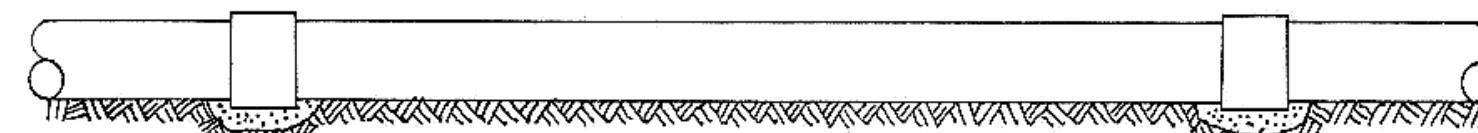


GATE VALVE

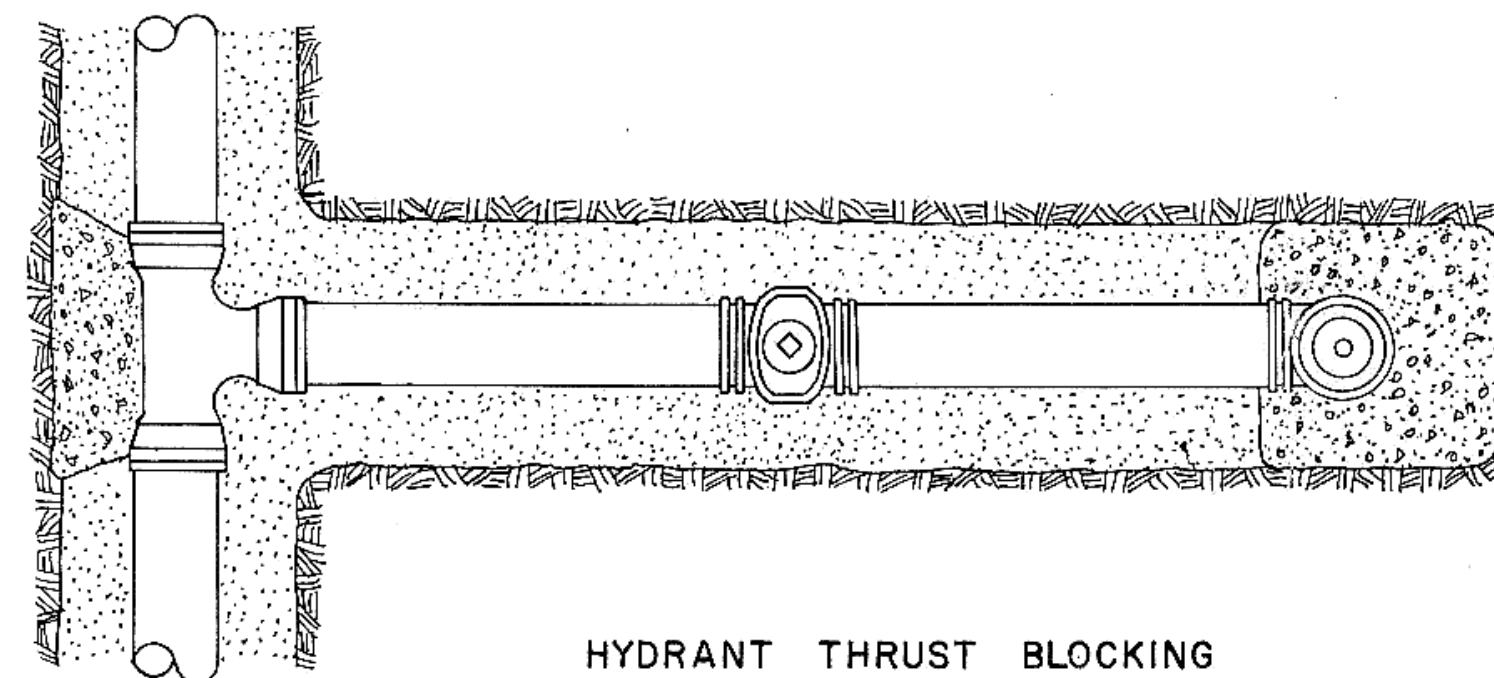
ANCHOR RODS REQUIRED
FOR HIGH PRESSURE AREAS



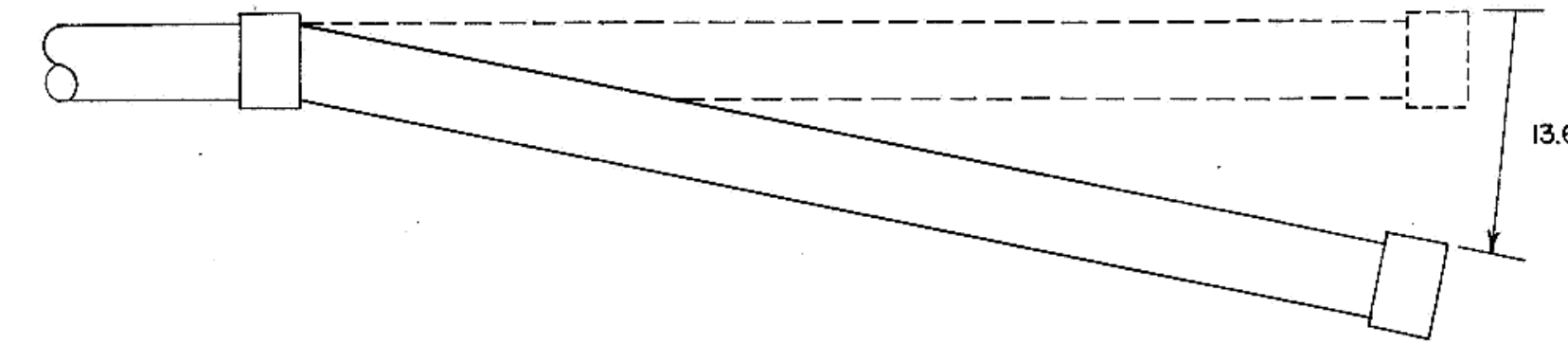
SAND CUSHION BEDDING-SUPPORT ENTIRE LENGTH OF PIPE
SPECIAL COMPACTION REQUIRED TO PIPE SPRING LINE



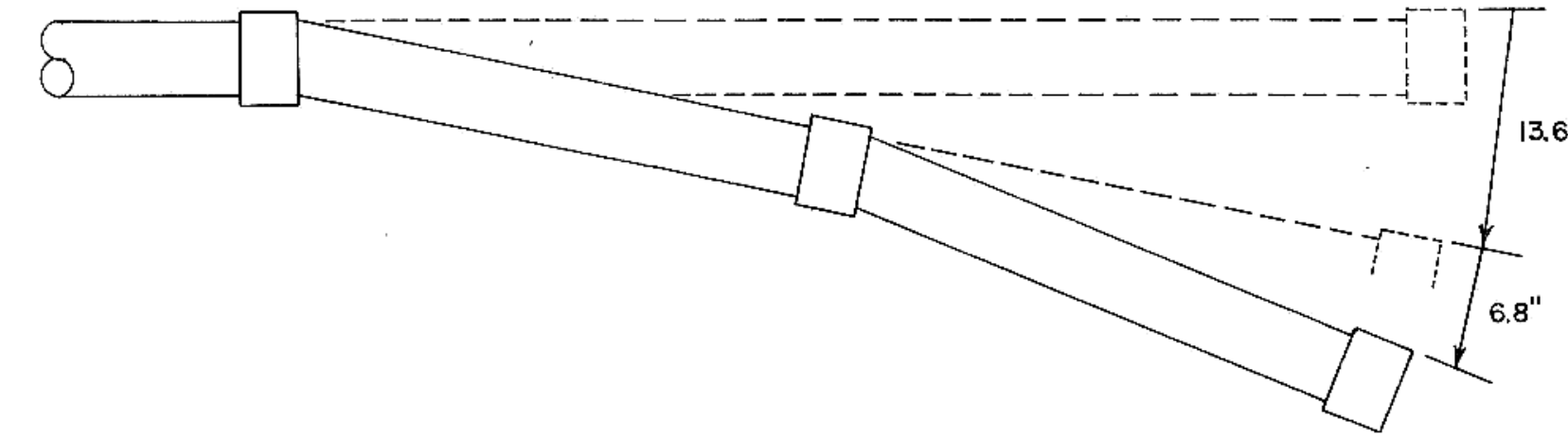
TYPICAL BEDDING TREATMENT USING APPROVED
OR SITE MATERIAL SHAPED FOR PIPE



HYDRANT THRUST BLOCKING



MAX. OFFSET PER 13' LENGTH
ASBESTOS CEMENT PIPE



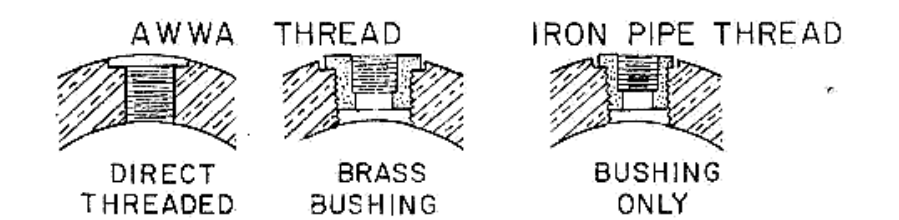
USING TWO HALF LENGTHS
ASBESTOS CEMENT PIPE



MAXIMUM SIZE OF OUTLET
RECOMMENDED WITH SERVICE CLAMPS
(INCHES)

NOMINAL PIPE SIZE	OUTLET SIZE (CLASSES 100-150-200)	
	SINGLE STRAP	DOUBLE STRAP
4"	1"	1"
6"	1 1/2"	1 1/2"
8"	2"	2"
10"	2"	2"
12"	2"	2"
14"	2"	2"
16"	2"	2"

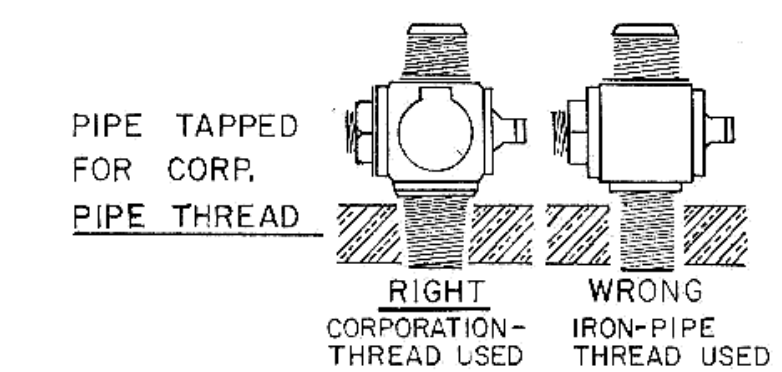
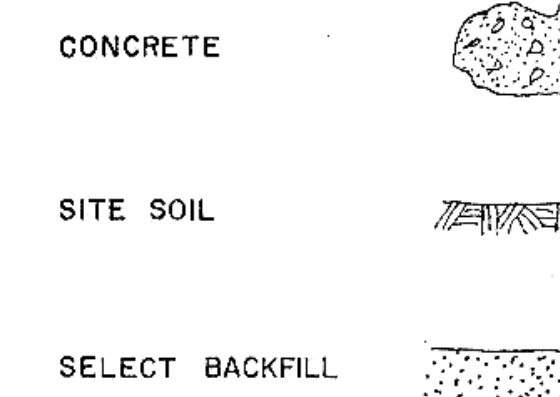
SADDLES FOR ASBESTOS CEMENT PIPE



THREAD TREATMENT
A-C PIPE

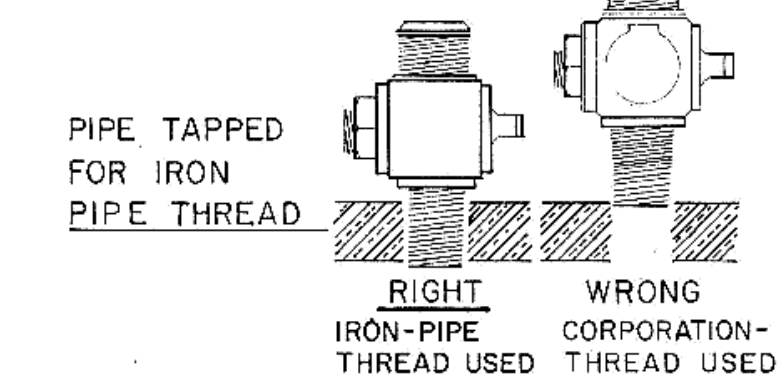
- NOTE: (1) ALL TYPES OF PIPE TO BE TREATED IN THE SAME GENERAL MANNER AS ASBESTOS CEMENT PIPE FOR DEFLECTIONS.
(2) BEDDING REQUIREMENTS SHALL BE AS INDICATED HEREON UNLESS MODIFIED IN THE SPECIFICATIONS.
(3) CONCRETE FOR THRUST BLOCKS SHALL HAVE MINIMUM 28 DAY COMPRESSIVE STRENGTH OF 3,000 PSI, AND MAX. SLUMP OF 3 INCHES AT TIME OF PLACEMENT.

LEGEND



PIPE TAPPED
FOR CORP.
PIPE THREAD

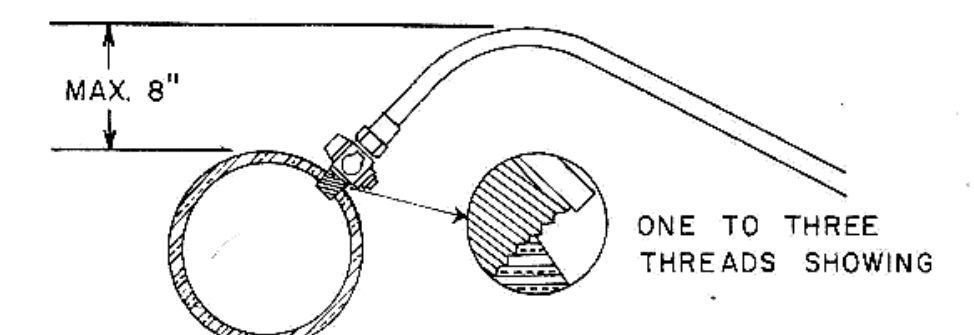
RIGHT CORPORATION-
THREAD USED
WRONG IRON-PIPE
THREAD USED



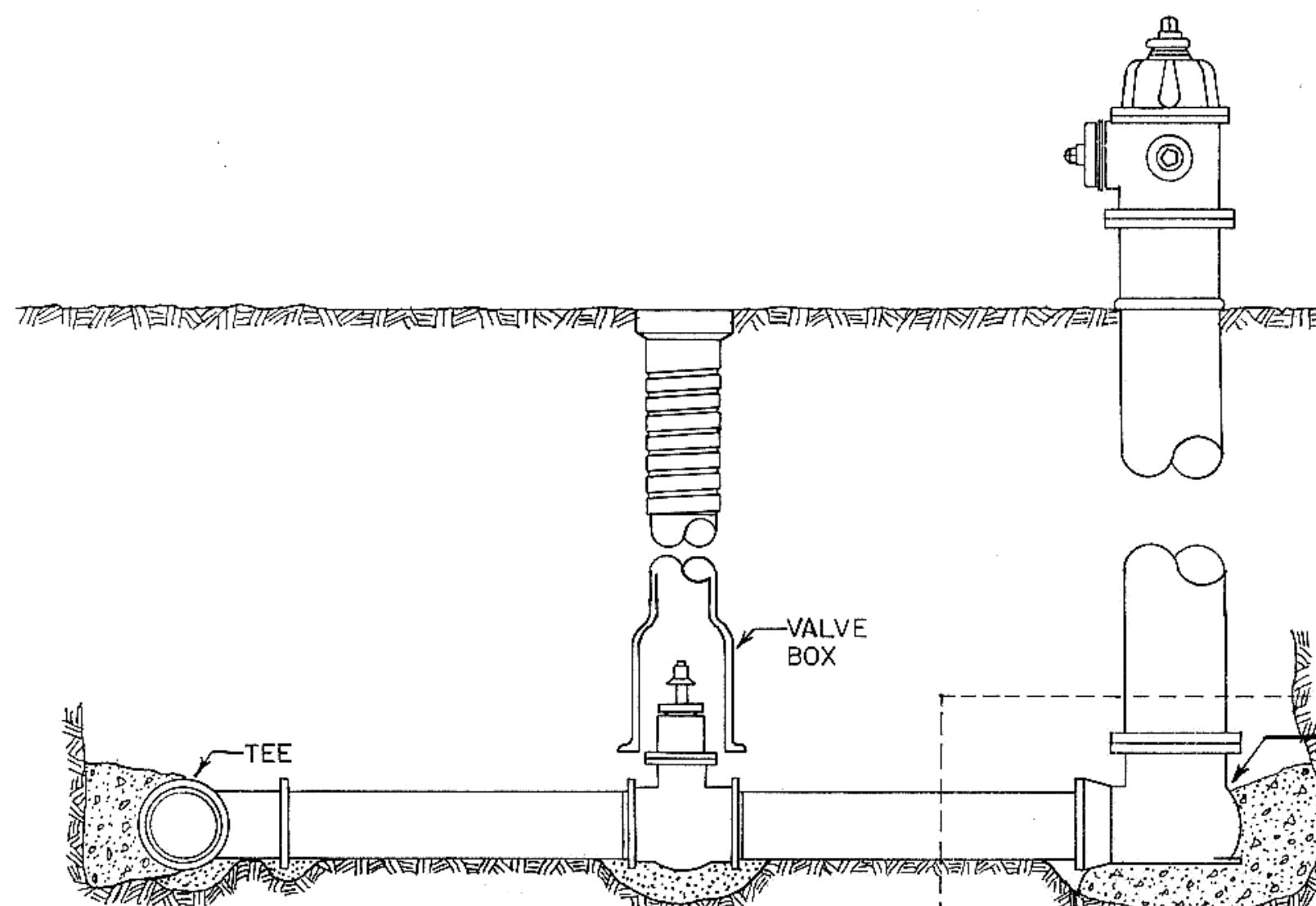
PIPE TAPPED
FOR IRON
PIPE THREAD

RIGHT IRON-PIPE
THREAD USED
WRONG CORPORATION-
THREAD USED

CORPORATION COCK TAPPING



SERVICE LINE CORPORATION COCK
DIRECT TAP POSITION



LAYOUT OF FIRE HYDRANT & VALVE

DASHED LINES SHOW OUTLINE OF CRIB TO BE USED WHEN PERCOLATION IS NEGLIGIBLE, FILL WITH COARSE GRAVEL OR ROCK TO PROVIDE A MINIMUM EFFECTIVE LEACHING CAPACITY OF AT LEAST ONE CUBIC YARD (4' X 4' X 2')

HYDRANT DRAIN OPENING TO BE UNOBSTRUCTED



WATERMAIN DETAILS