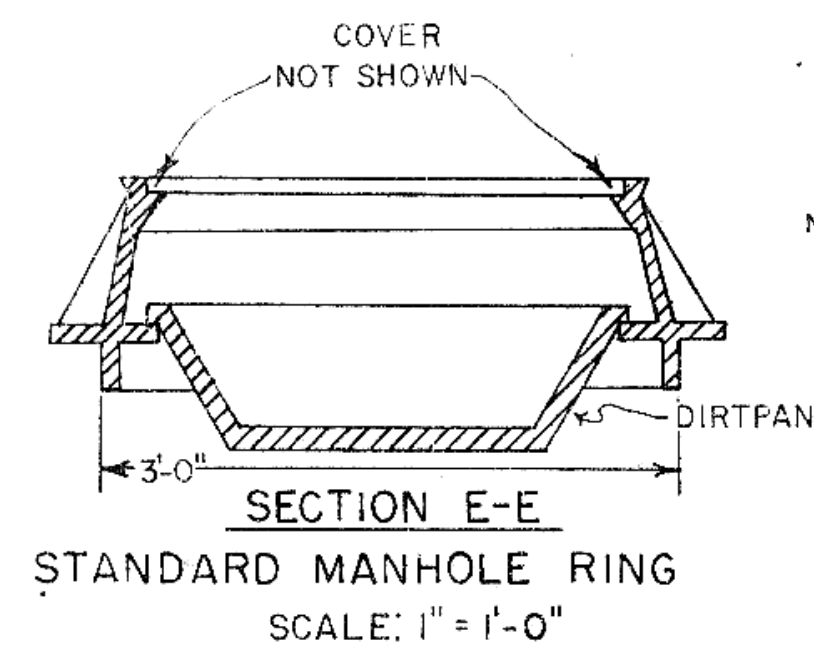
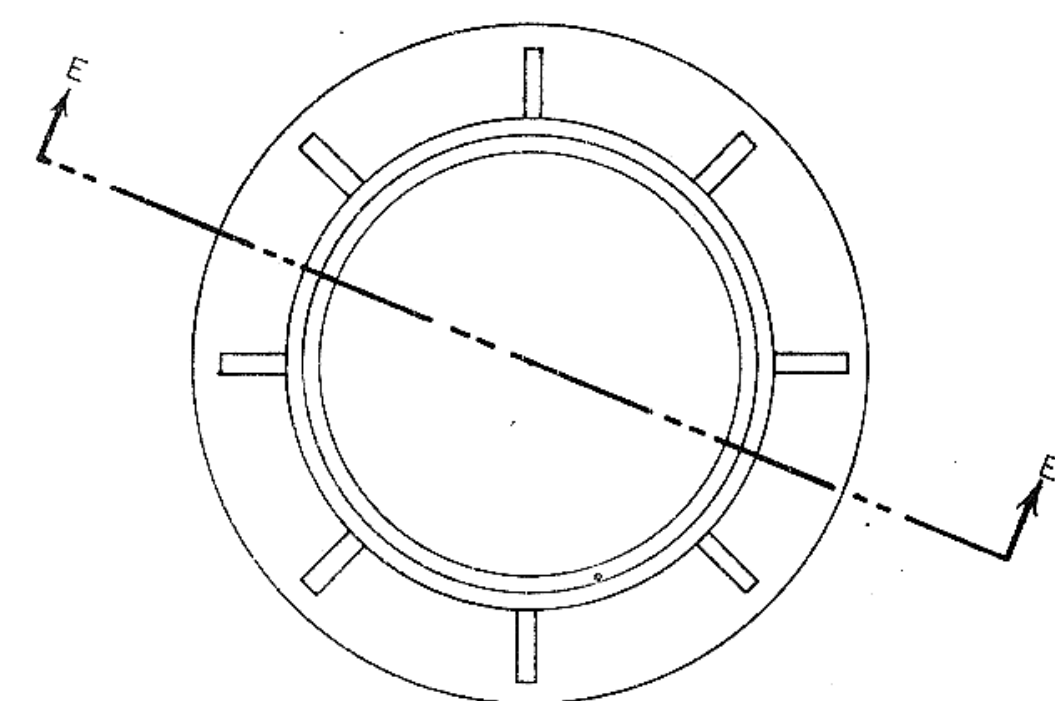


TYPICAL MANHOLE ELEVATION VIEW  
SCALE: 1" = 1'-0"

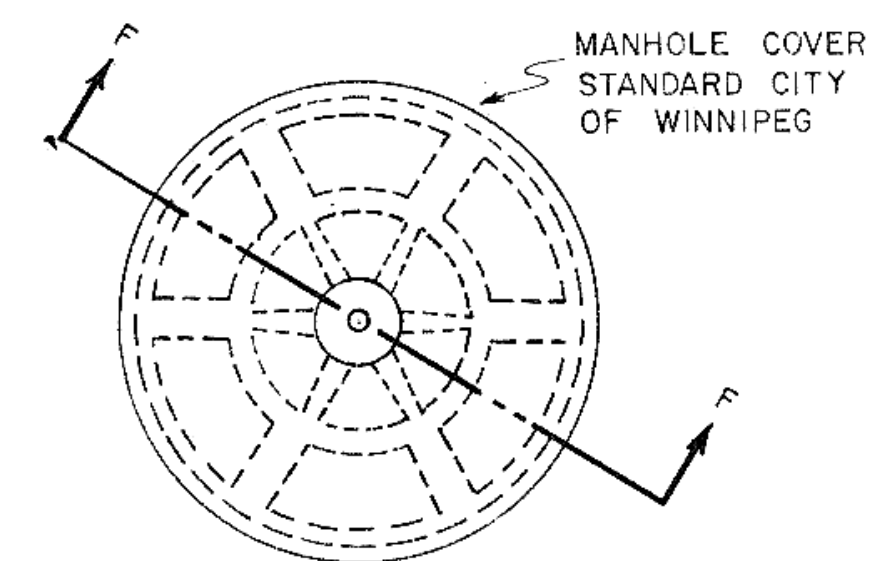


SECTION E-E  
STANDARD MANHOLE RING  
SCALE: 1" = 1'-0"

NOTE: DIRT PAN TO FIT PARTICULAR MANHOLE RING FURNISHED FOR JOB.  
DIRTPAN FOR MANHOLE WHEN CALLED FOR IN EITHER THE PLANS OR SPECIFICATIONS.



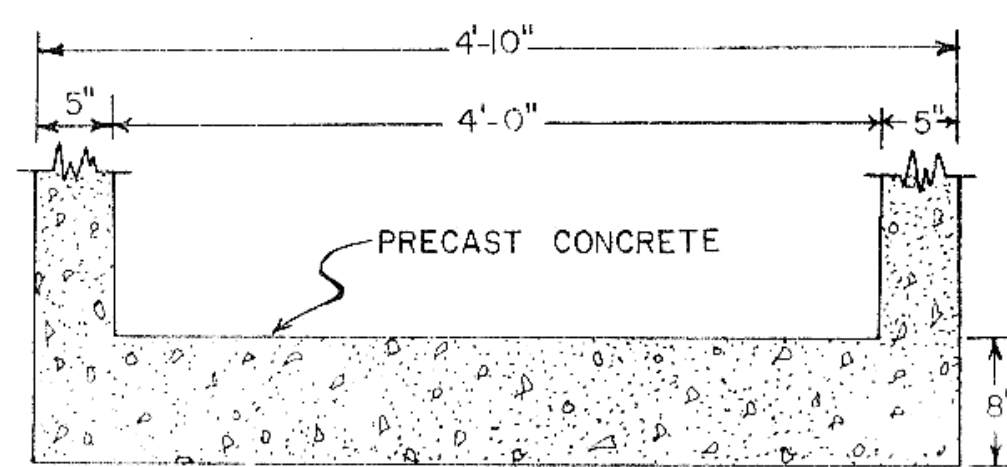
STANDARD MANHOLE RING  
PLAN VIEW  
SCALE: 1" = 1'-0"



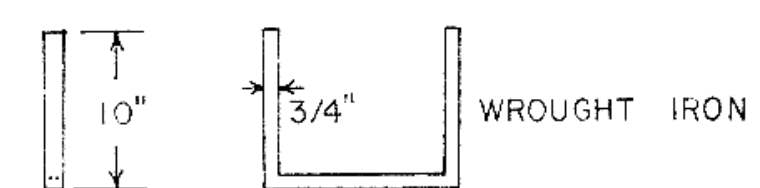
STANDARD MANHOLE COVER  
PLAN VIEW  
SCALE: 1" = 1'-0"



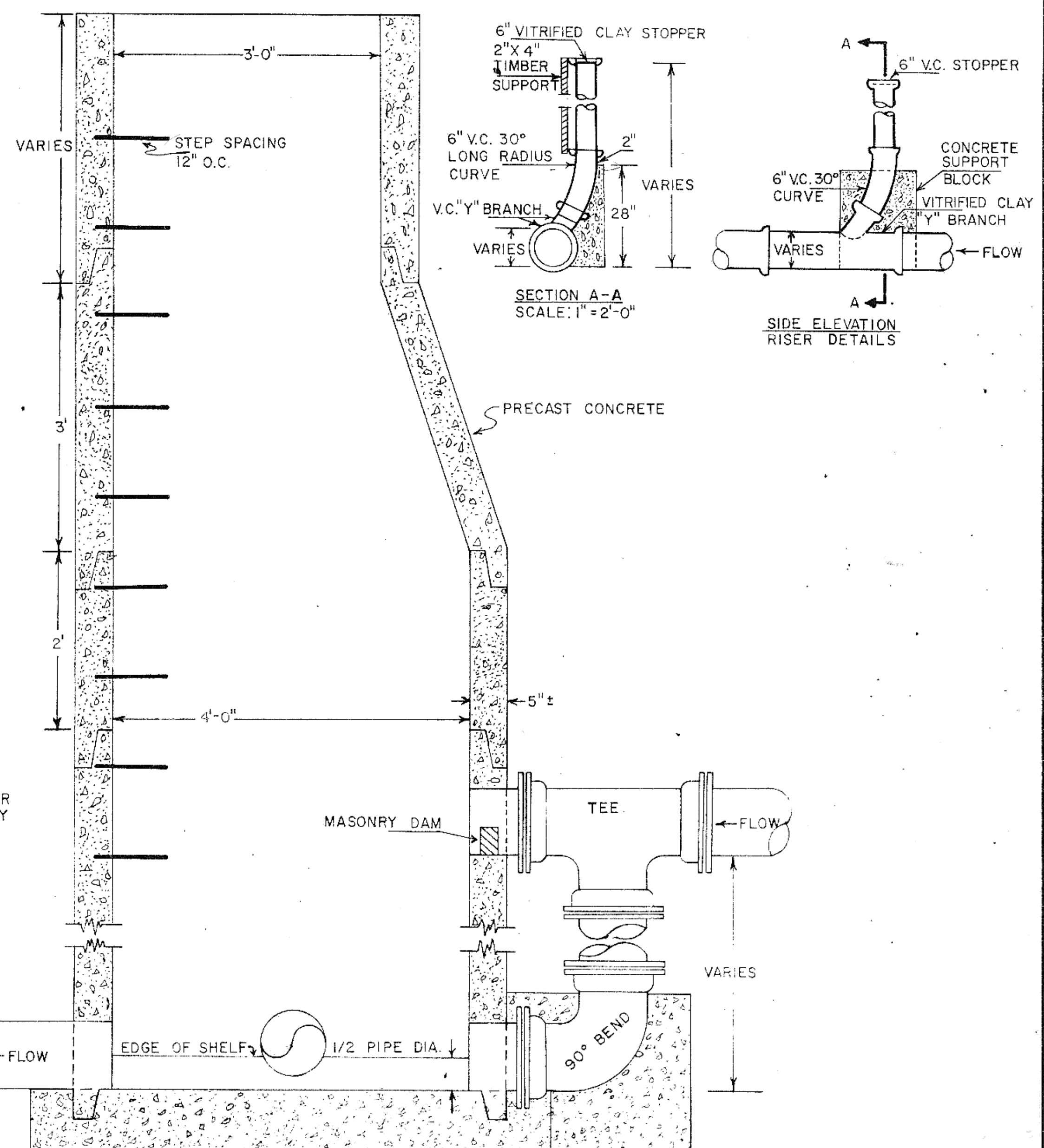
SECTION F-F  
STANDARD MANHOLE COVER  
SCALE: 1" = 1'-0"



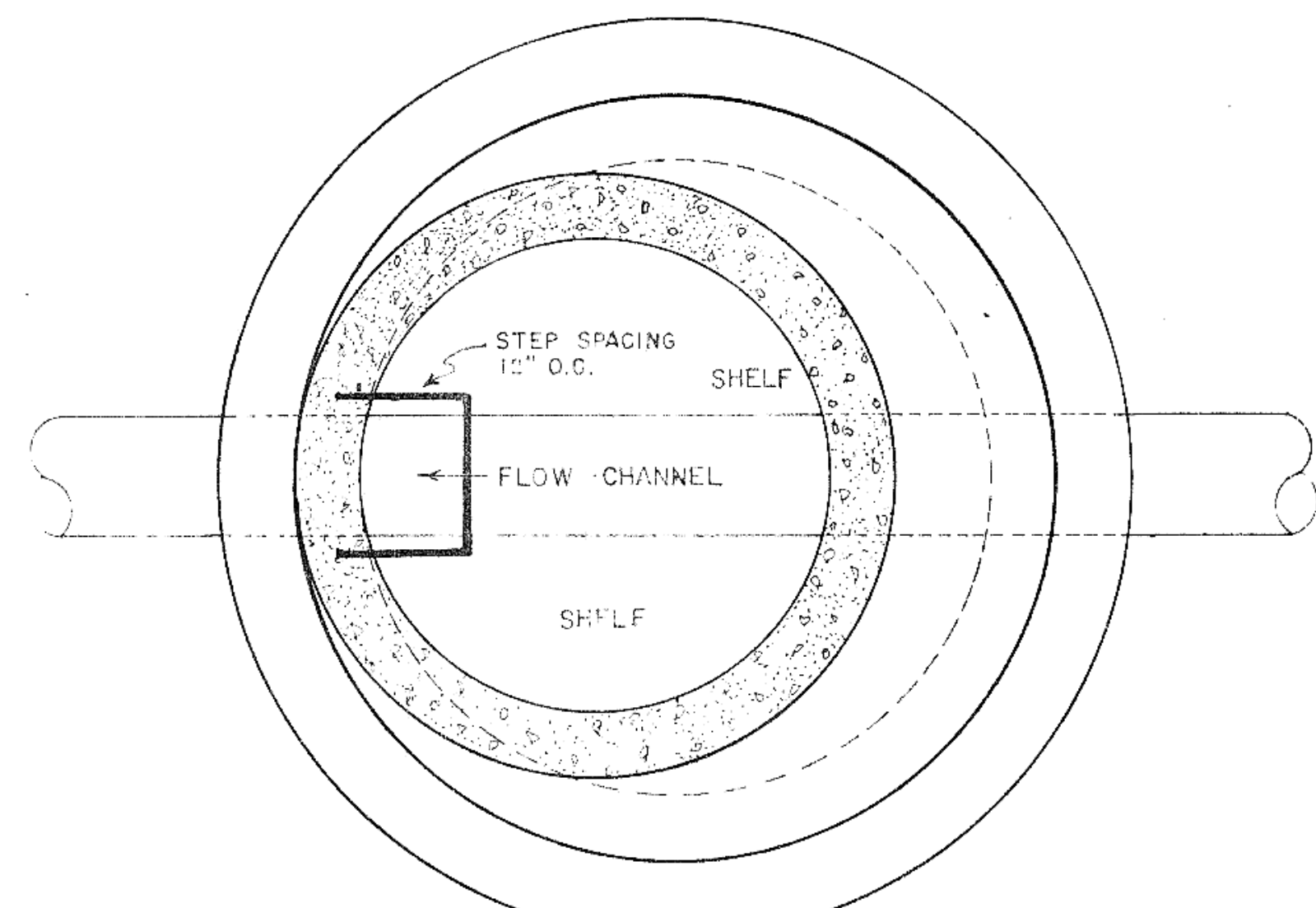
PRECAST MANHOLE FLOOR DETAIL  
SCALE: 1" = 1'-0"



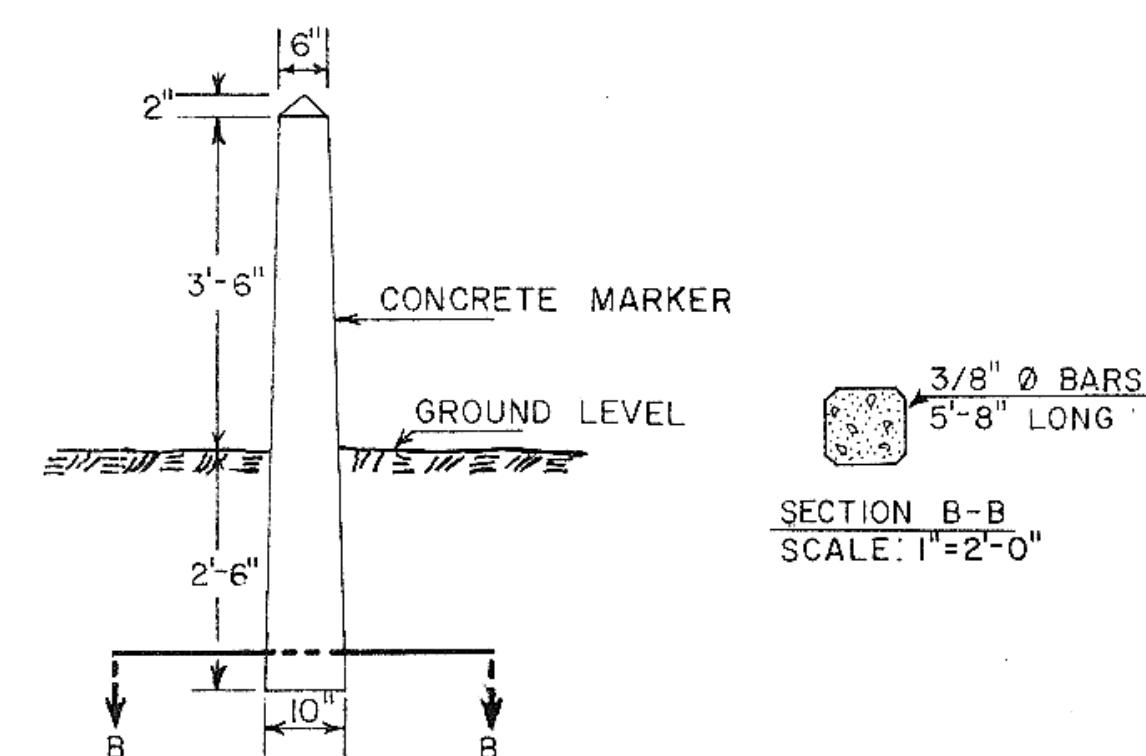
STEP DETAILS  
SCALE: 1" = 1'-0"



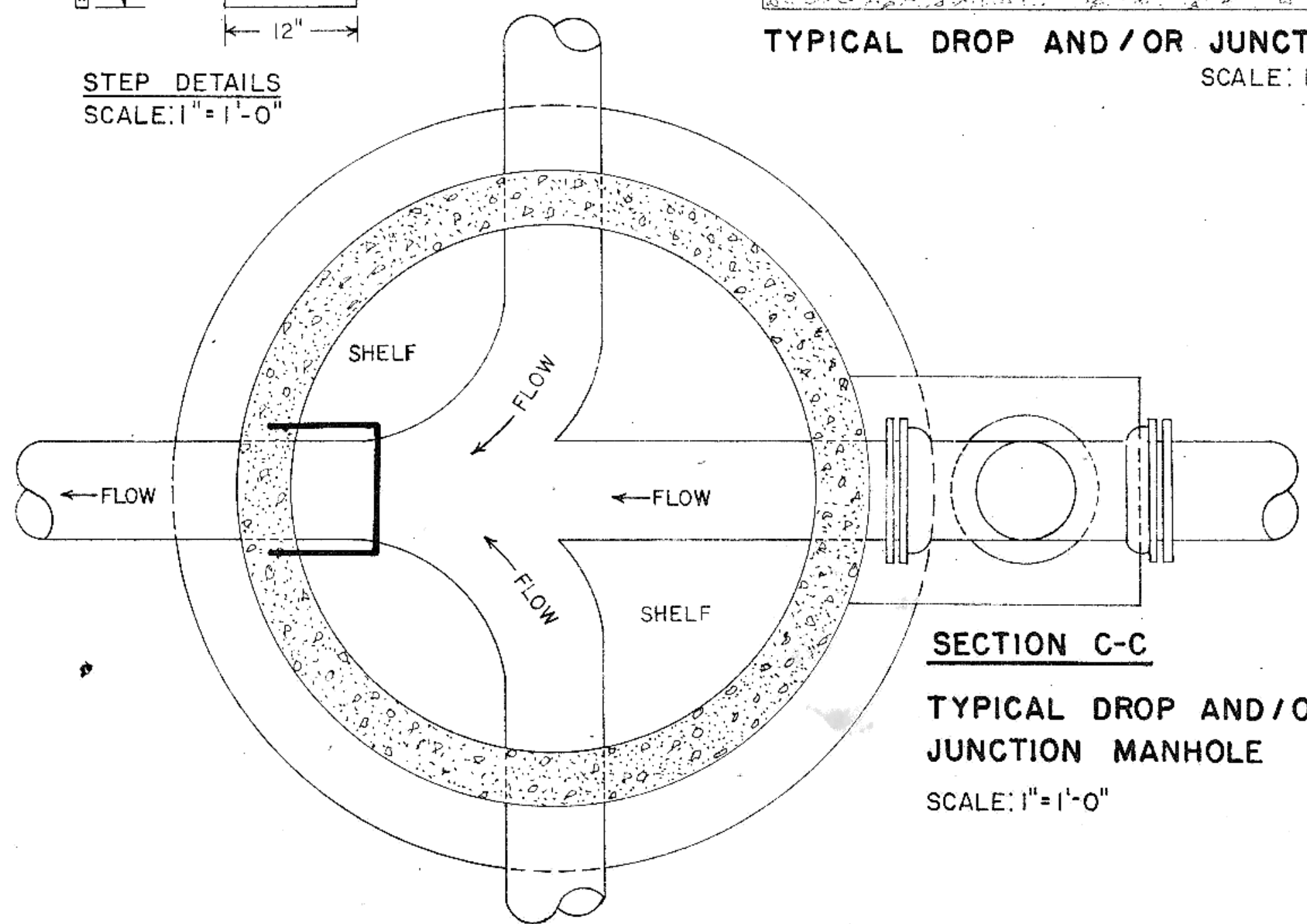
TYPICAL DROP AND/OR JUNCTION MANHOLE ELEVATION  
SCALE: 1" = 1'-0"



TYPICAL MANHOLE SECTION D-D  
SCALE: 1" = 1'-0"



ELEVATION-TYPICAL REFERENCE MARKER  
SCALE: 1" = 2'-0"



SECTION C-C  
TYPICAL DROP AND/OR JUNCTION MANHOLE  
SCALE: 1" = 1'-0"

