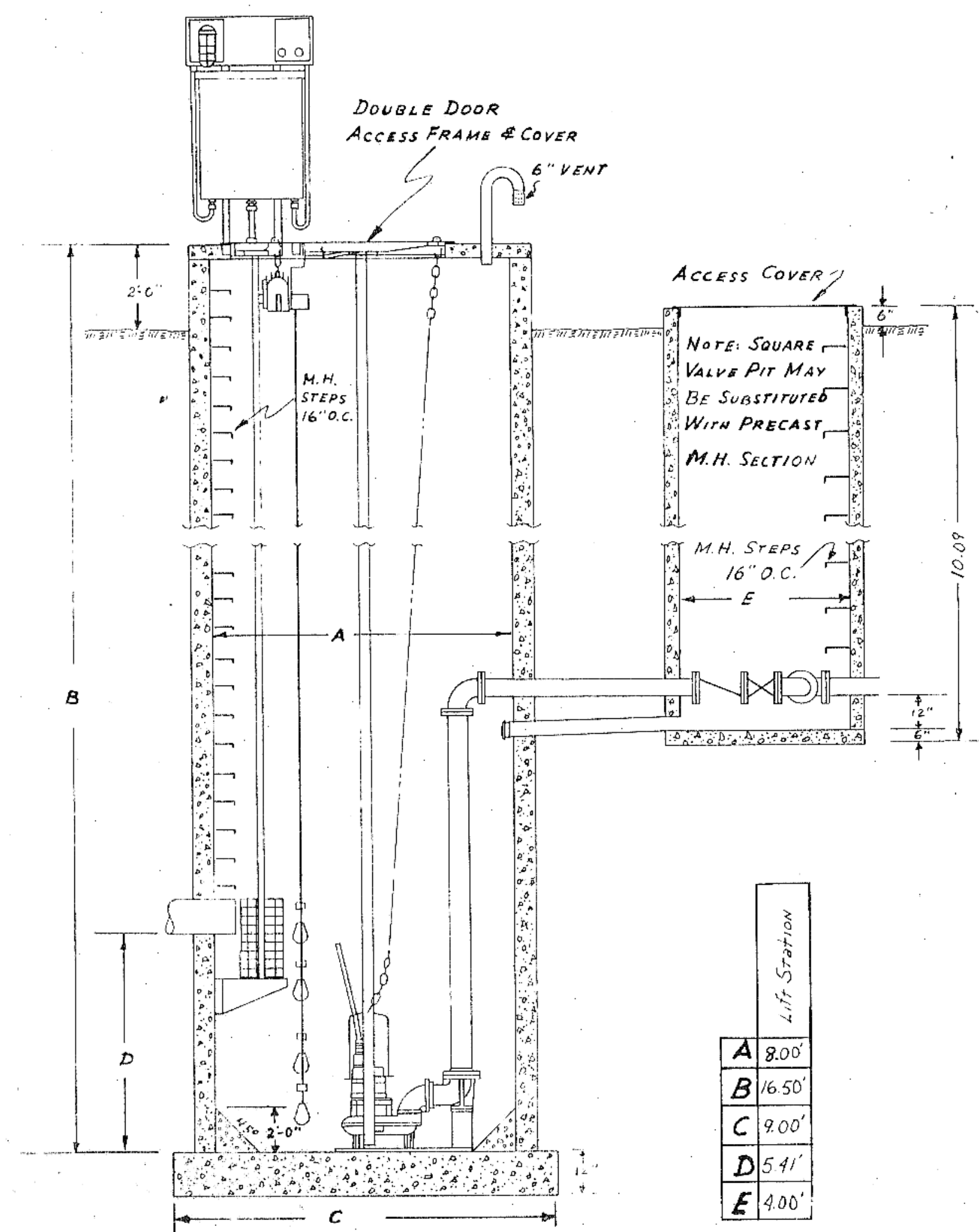


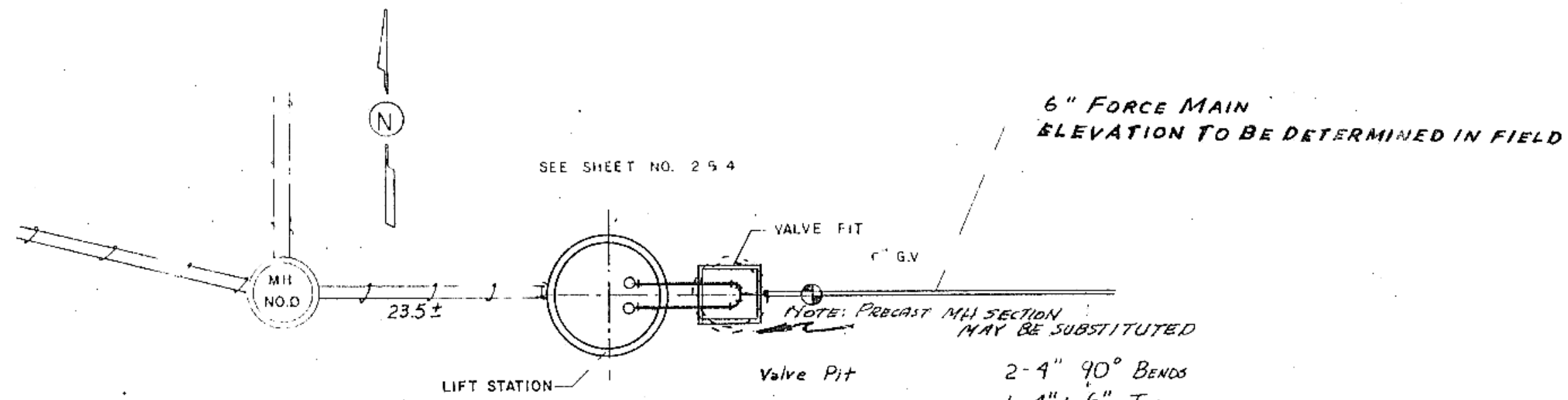
STRAINER BASKET MOUNTING DETAIL



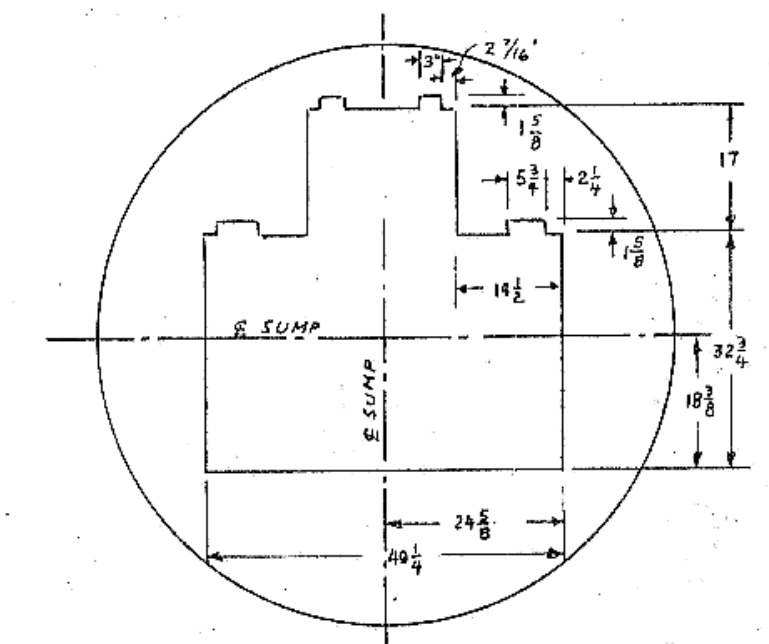
SIDE SECTION
No SCALE

DIMENSIONS

Station	Height
A	8.00'
B	16.50'
C	9.00'
D	5.41'
E	4.00'



- 2-4" 90° BENDS
- 1-4" to 6" Tee
- 2-4" Check Valve
- 2-4" Gate Valve
- 1-6" Gate Valve



Project: CONSOLIDATED W&S IMPR. DIST. # 24

Detail: SATELLITE LIFT STATION

Scale: NONE

Drawn by: R.S.

Revised:

TOMAN ENGINEERING CO.
Engineering and Environmental Consultants - Madison, WI - Rosemead, California

DATE: SEPR 76

APPROVED BY:

DRAWING NUMBER:

