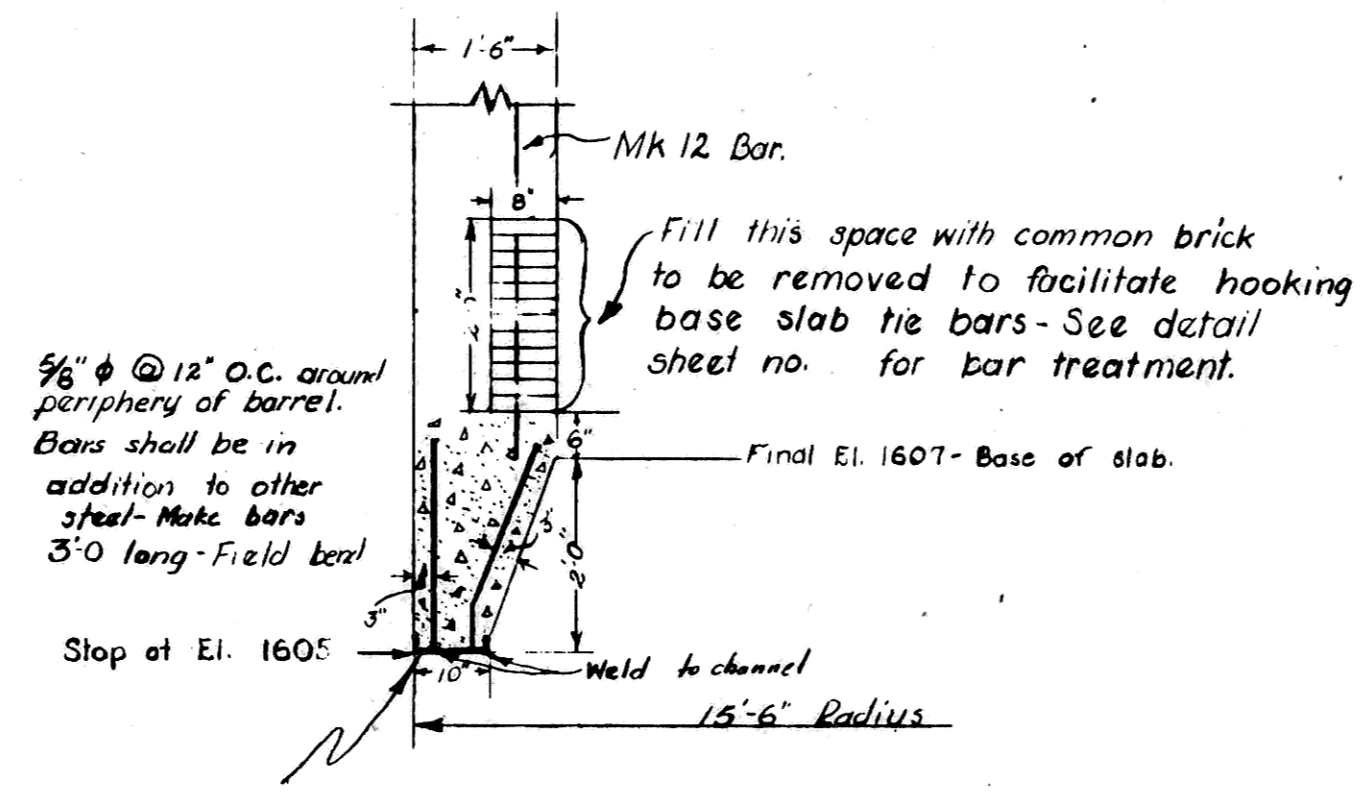
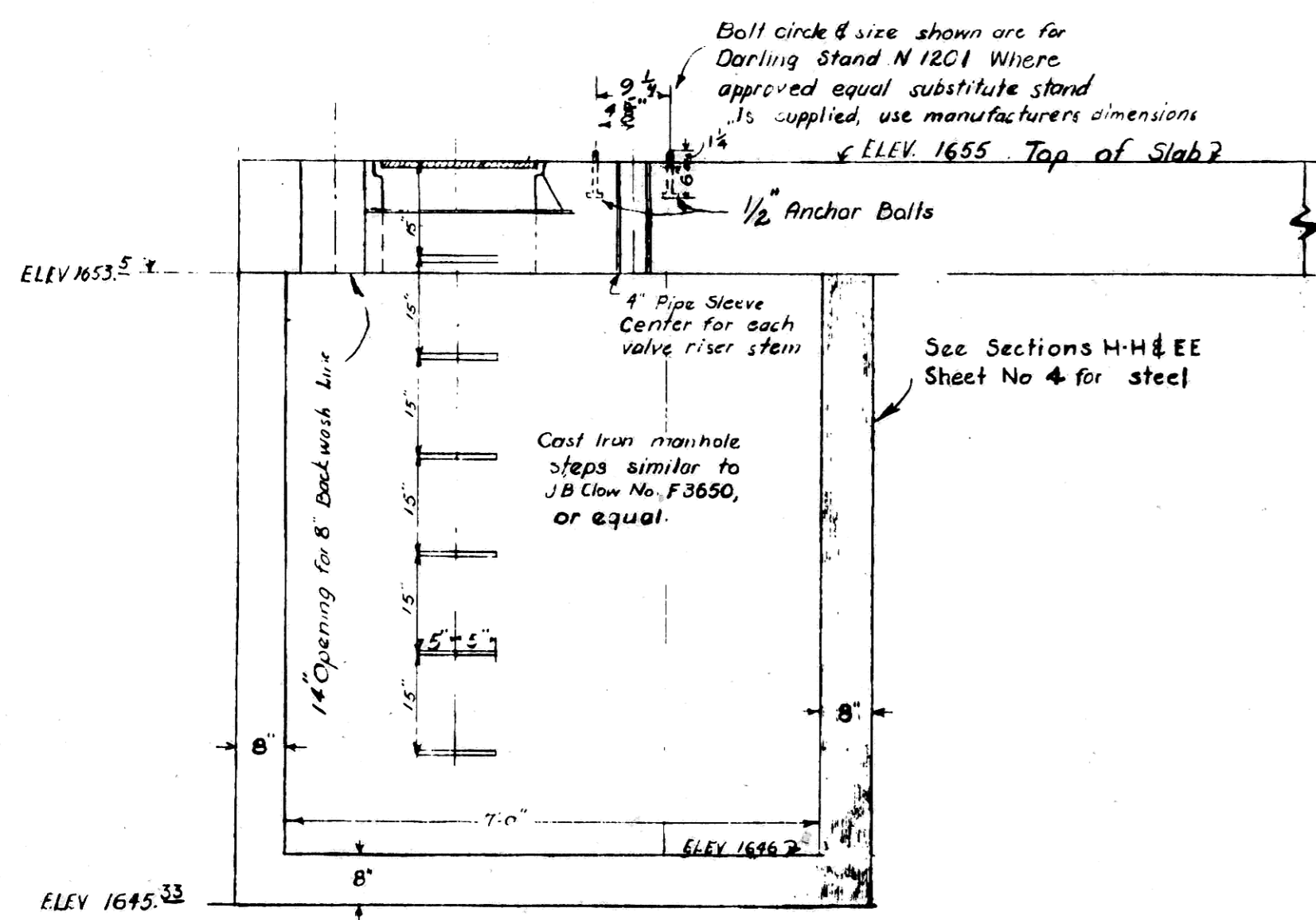


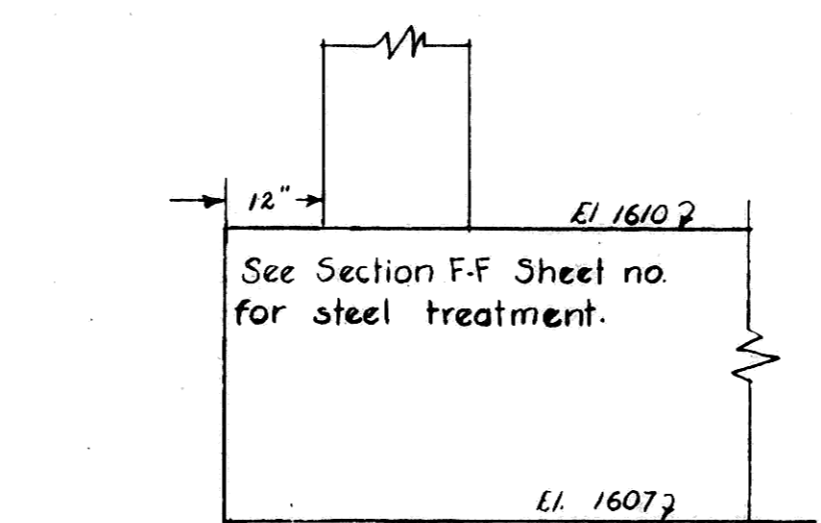
DETAIL OF VALVE PIT PLAN  
SCALE: 1/2" = 1'-0"



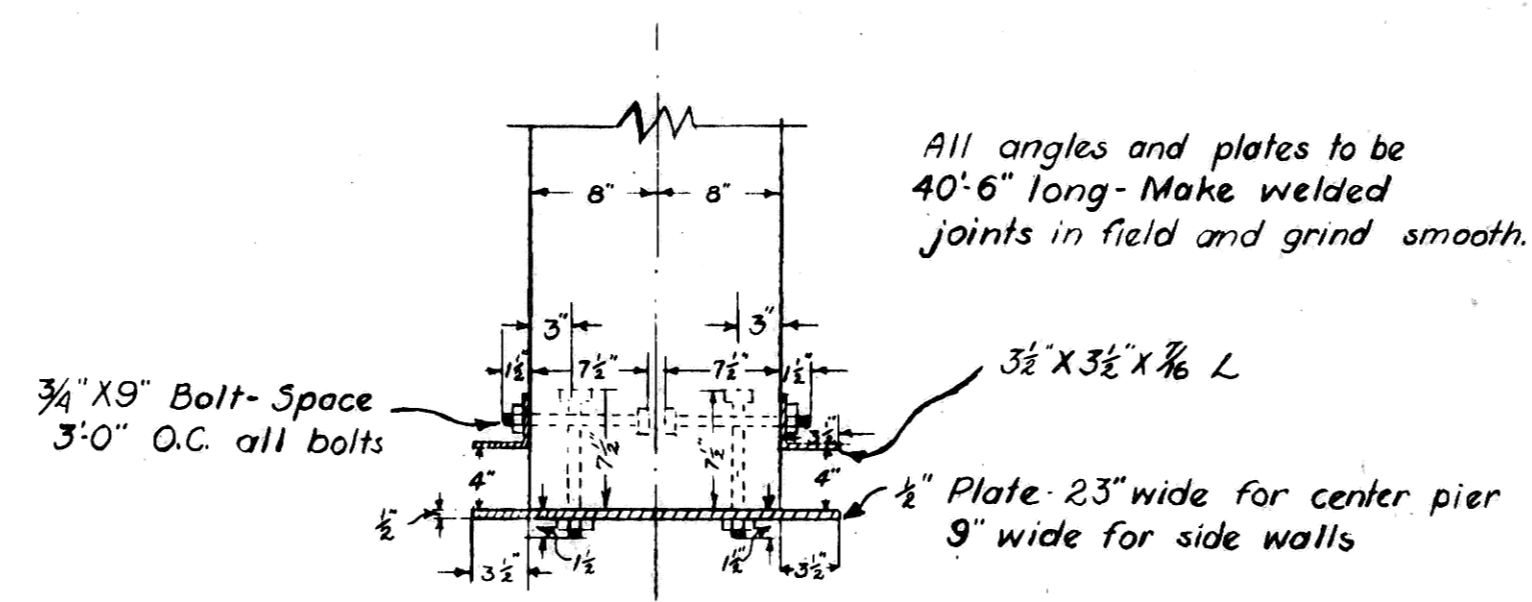
DETAIL SHOWING TREATMENT WHERE  
BARREL IS SUNK AS CAISSON  
SCALE: 1/2" = 1'-0"



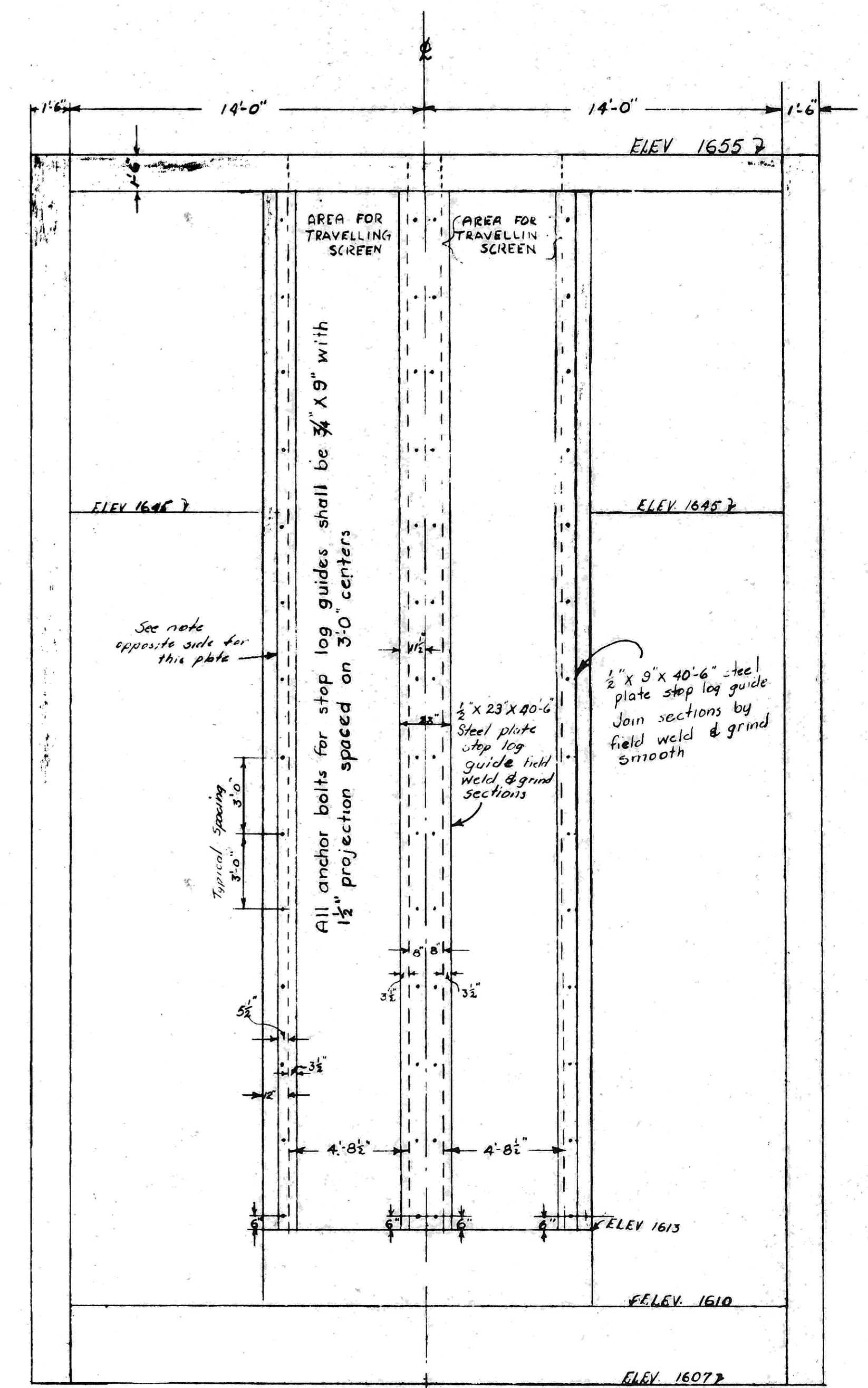
SECTION J-J  
SCALE: 1/4" = 1'-0"



DETAIL SHOWING TREATMENT WHERE  
FOOTING PAD IS POURED INITIALLY  
IN OPEN EXCAVATION  
SCALE: 1/2" = 1'-0"



PLAN VIEW  
DETAIL OF TYPICAL STOP  
LOG GUIDE TREATMENT  
SCALE: 1" = 1'-0"



SECTION C-C  
Scale: 1/4" = 1'-0"

Job: WATER WORKS IMPROVEMENTS, 1953  
PHASE II

File No. \_\_\_\_\_ Date: \_\_\_\_\_  
Revised: \_\_\_\_\_

SHEET NO. 3 OF 9 SHEETS  
Scale: AS SHOWN.

DRAWN BY: VALVE PIT PLAN, ALTERNATE PLANS OF FOOTING PAD, STOP LOG DETAIL, SECTION CC & SECTION JJ  
CHECKED BY:

George J. Toman  
H. P. E. No. 185

Consulting Engineer  
Mandan, North Dakota