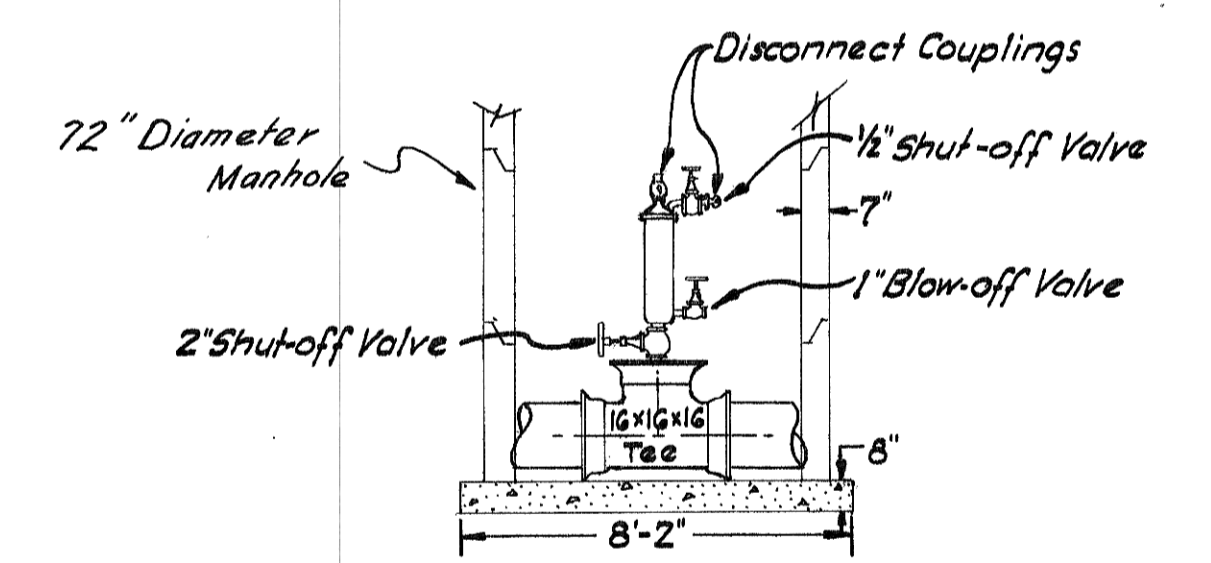
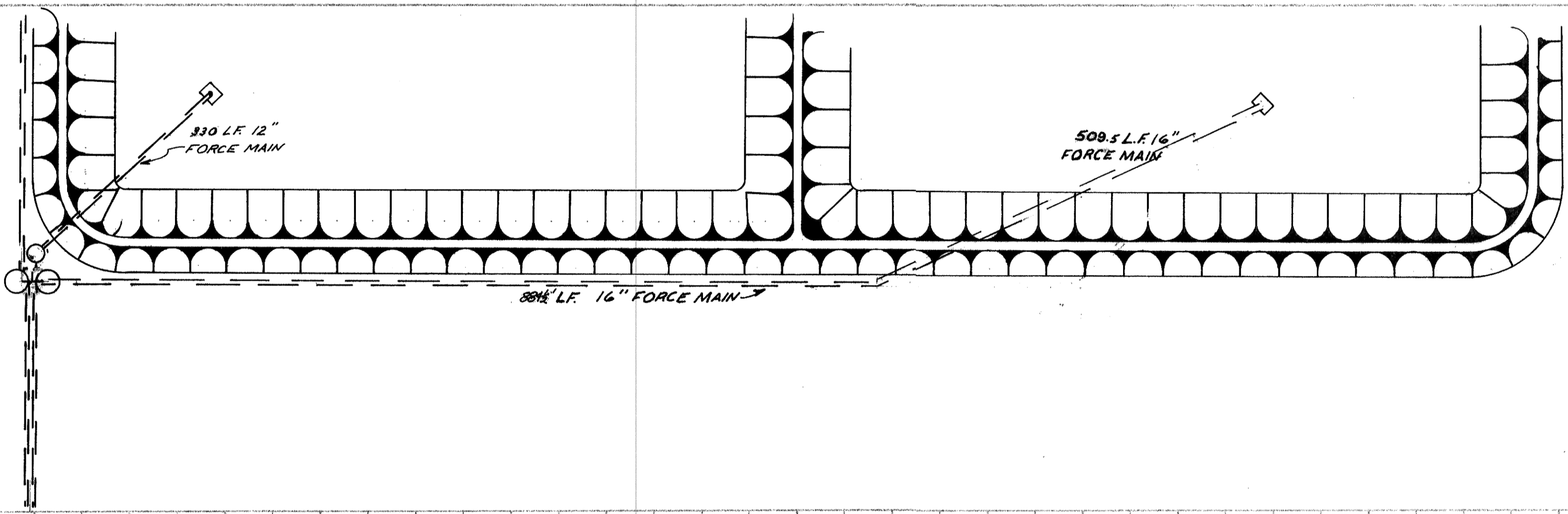
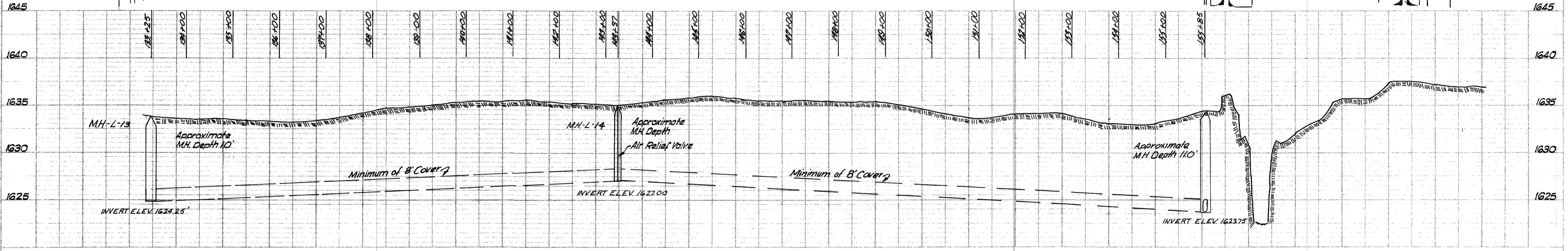
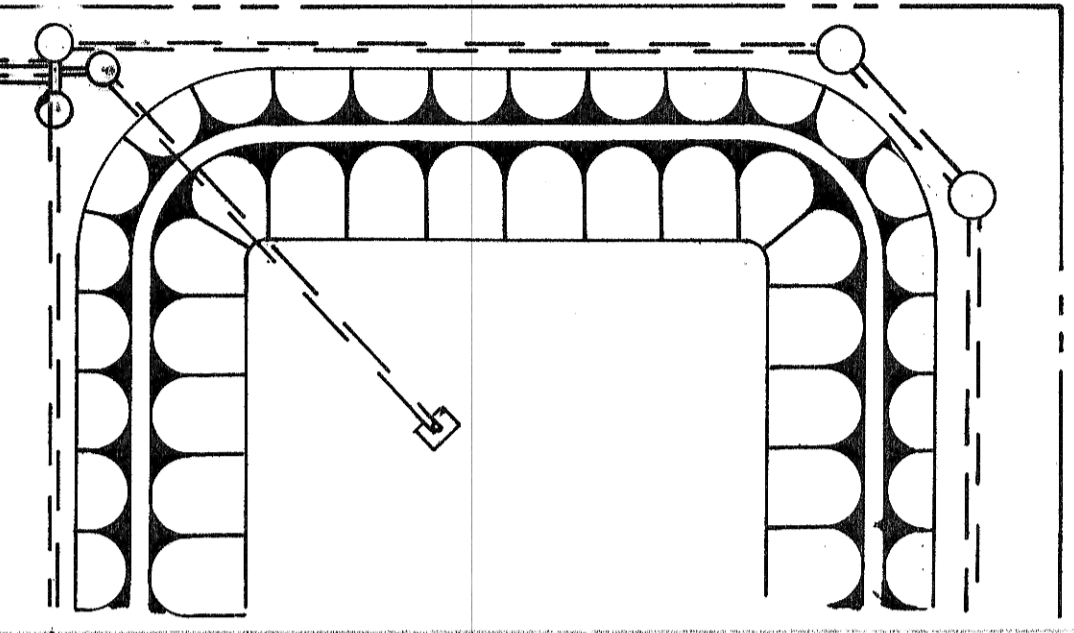




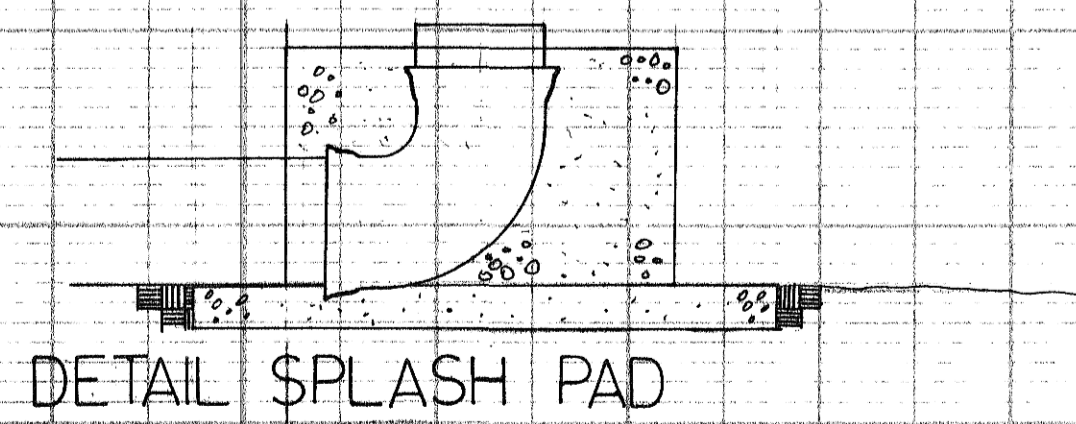
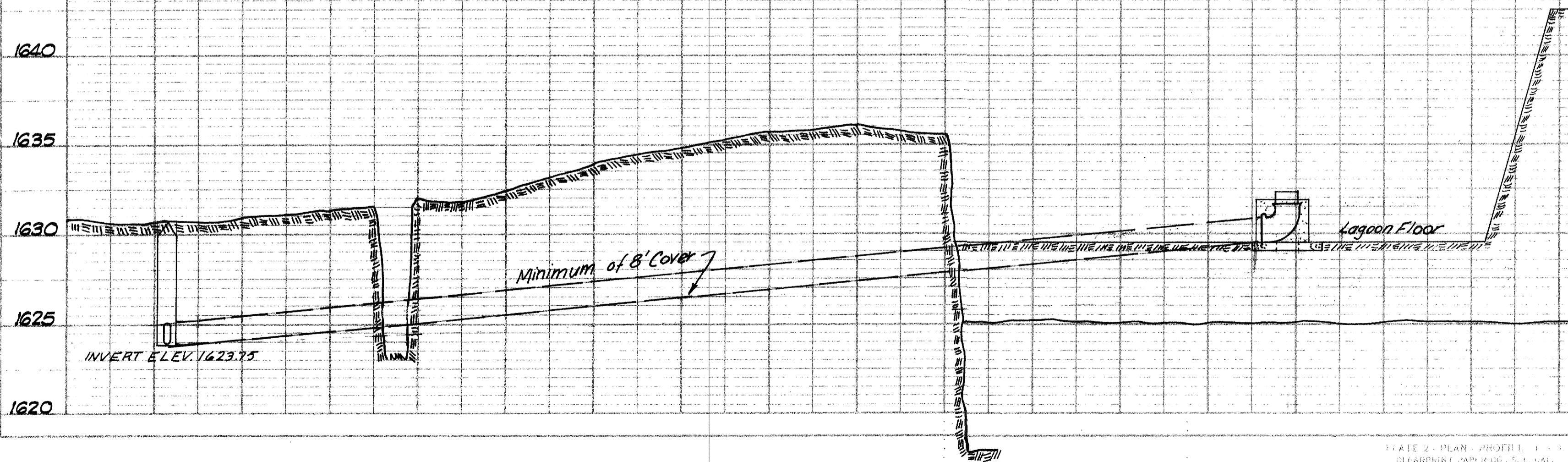
See sheet 16 for detail of MH & need for restraining blocks

MH-L-13

MH-L-14



RELEASE VALVE DETAIL
Scale: 1/4" = 1'-0"



DETAIL SPLASH PAD



REVISED
Date: 9-15-1966
DESTROY
PREVIOUS PRINTS
GEORGE J. TOMAN
Consulting Engineer

TOMAN ENGINEERING COMPANY
CONSULTING ENGINEERS
P.O. BOX 400
HEARD, NORTH DAKOTA 58554

SHEET NO. 17 OF 27 SHEETS