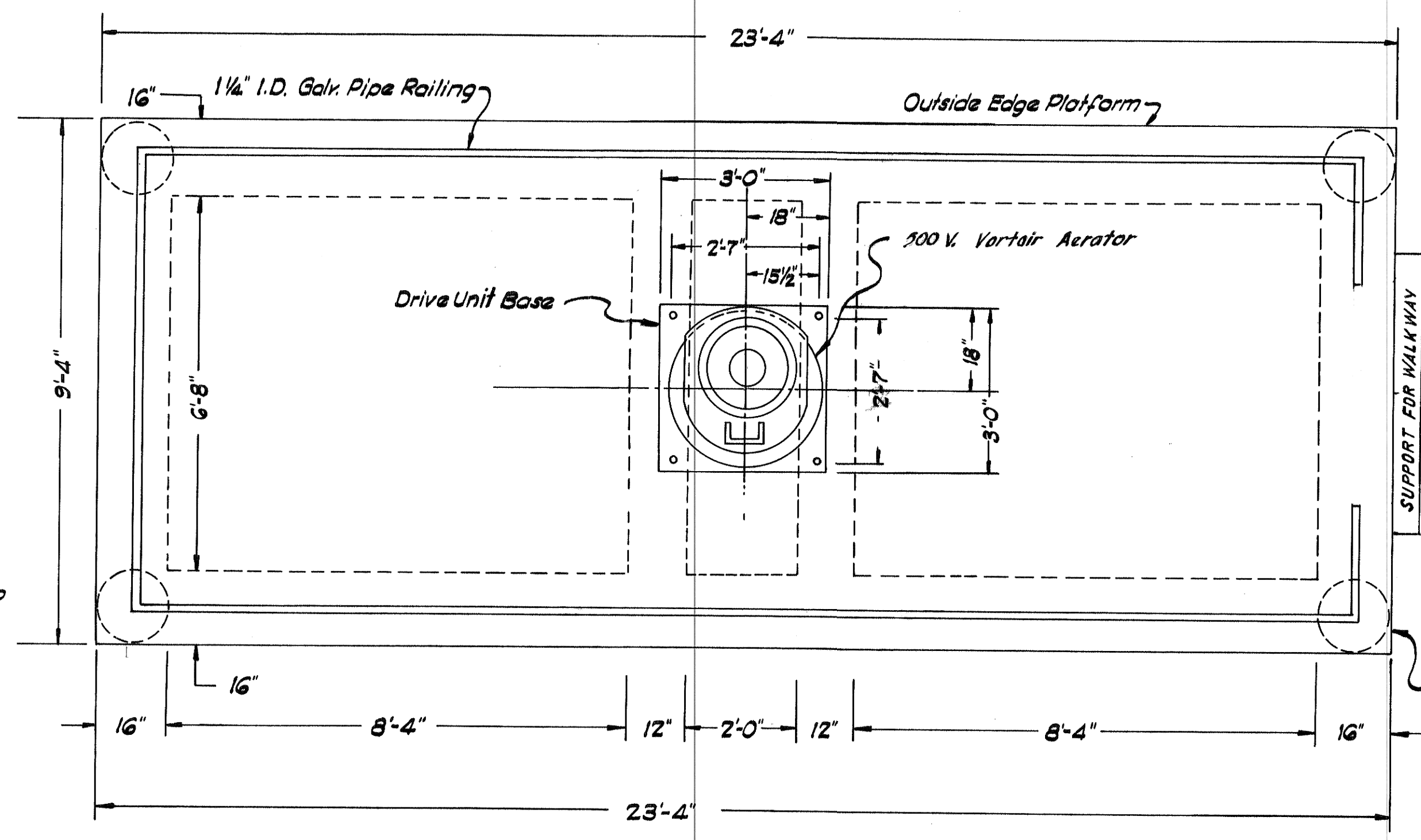
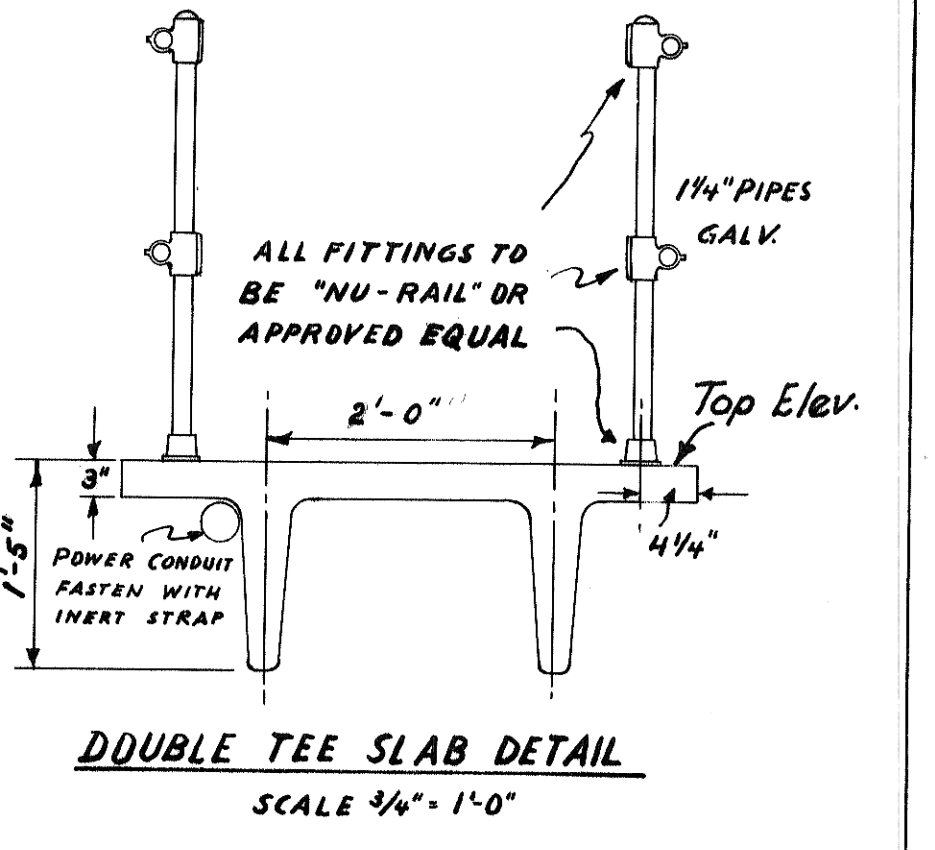


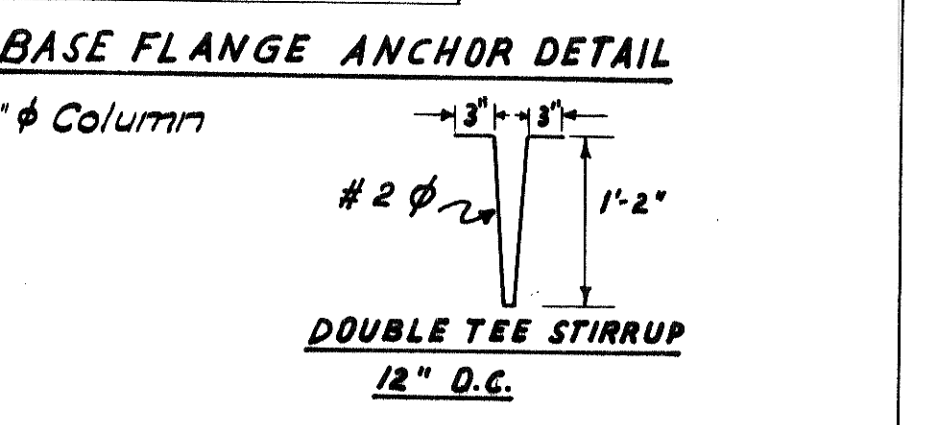
SECTION-TYPICAL AERATOR PLATFORM
Scale 1/2" = 1'-0"



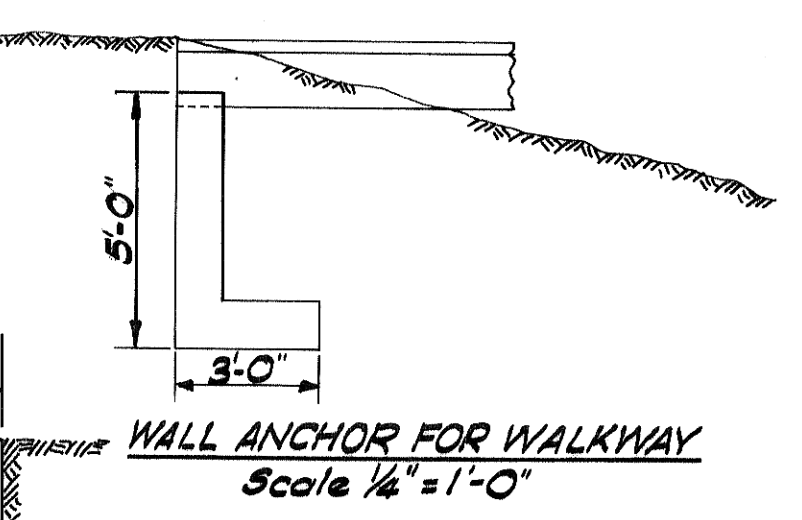
PLAN VIEW-TYPICAL AERATOR PLATFORM
Scale 1/2" = 1'-0"



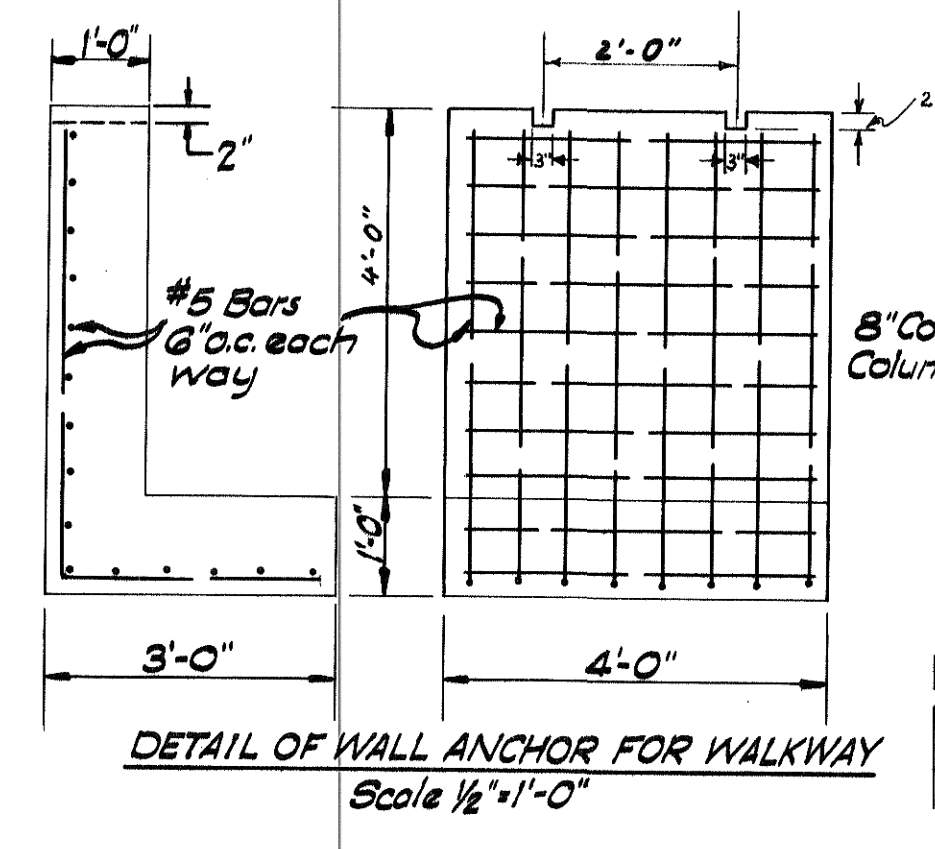
DOUBLE TEE SLAB DETAIL
Scale 3/4" = 1'-0"



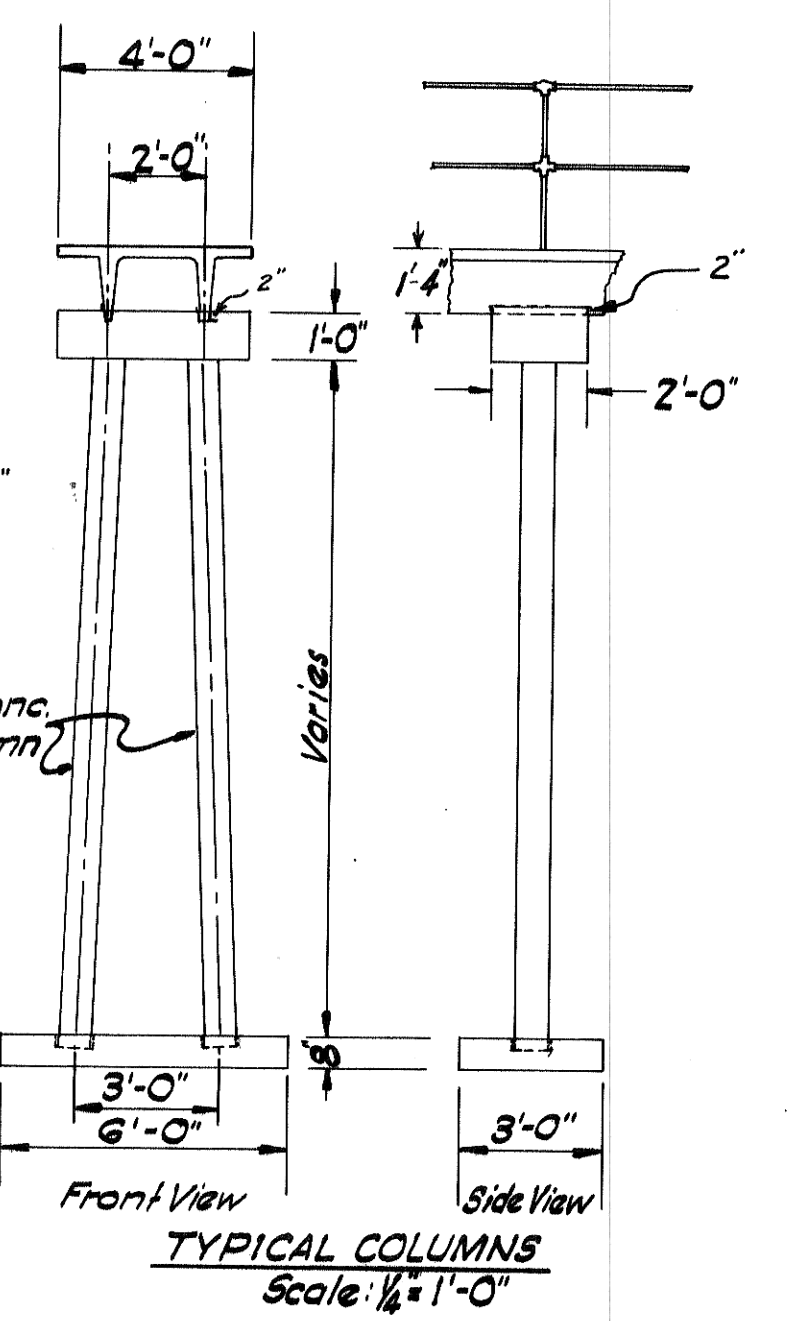
BASE FLANGE ANCHOR DETAIL
Scale 1/2" = 1'-0"



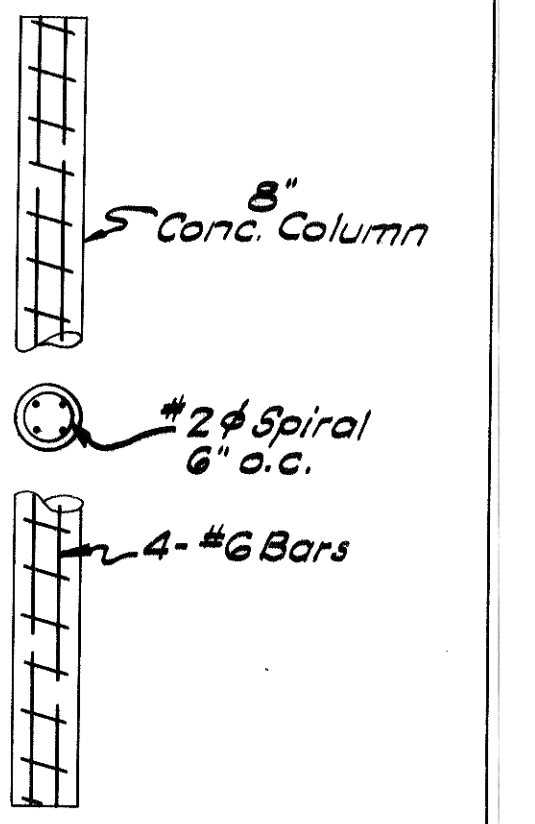
WALL ANCHOR FOR WALKWAY
Scale 1/4" = 1'-0"



DETAIL OF WALL ANCHOR FOR WALKWAY
Scale 1/2" = 1'-0"

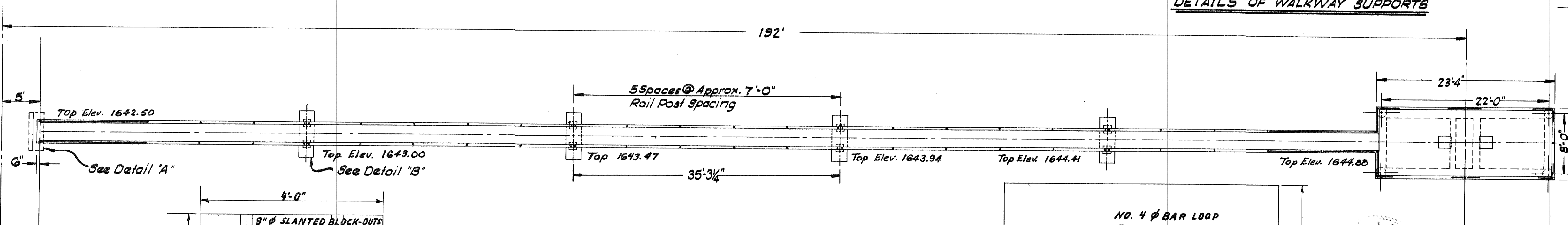


TYPICAL COLUMNS
Scale 1/4" = 1'-0"

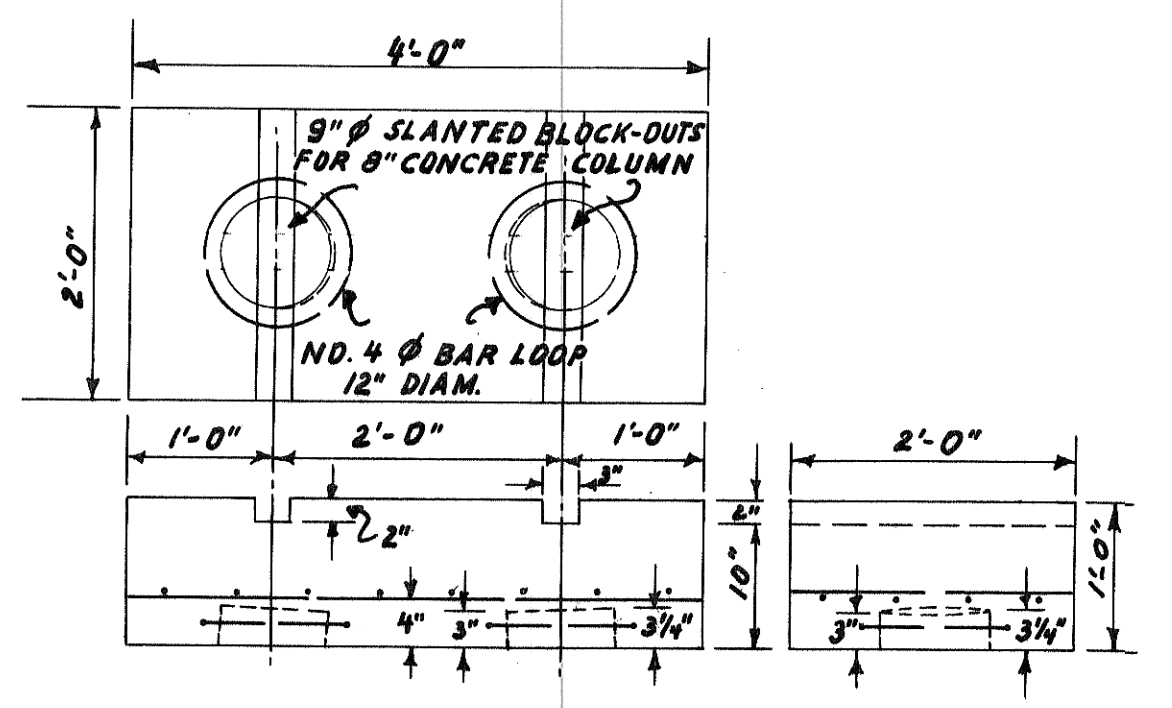


TYPICAL COLUMN REINFORCEMENT
Scale 1/2" = 1'-0"

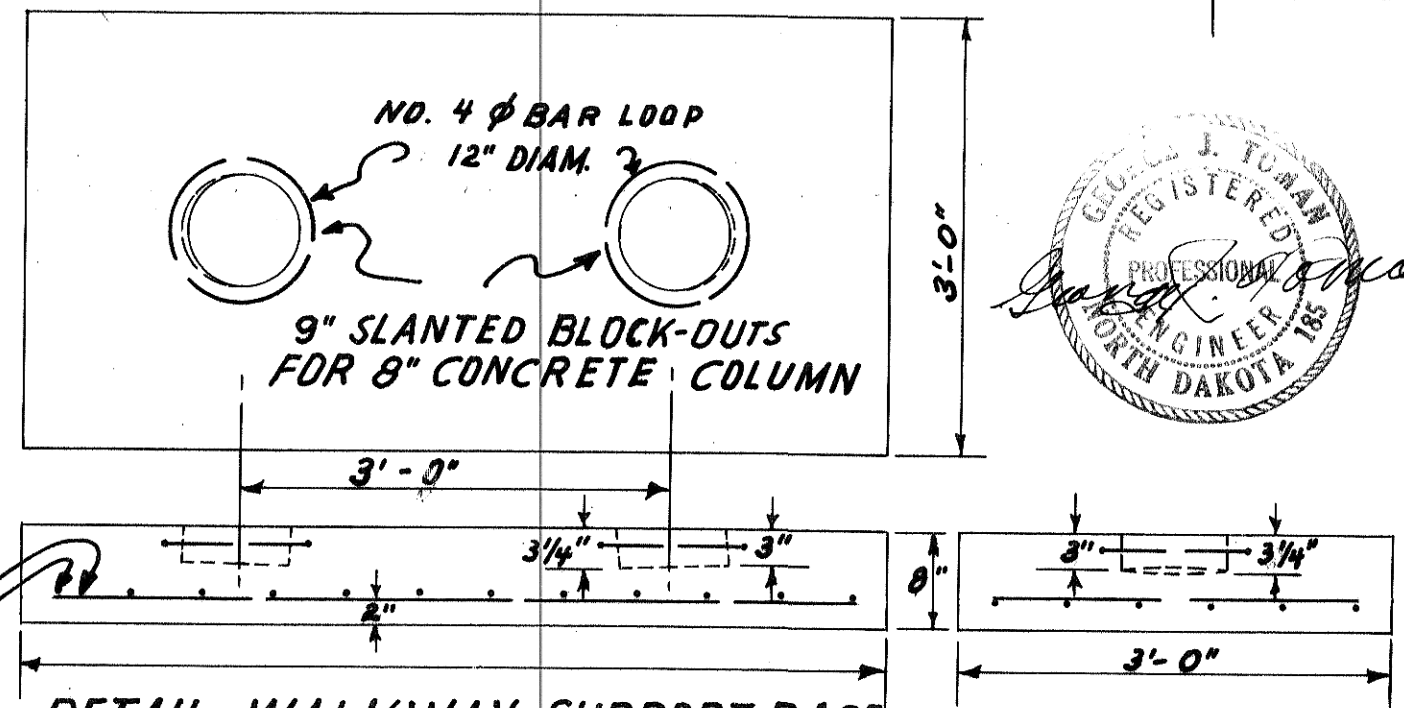
DETAILS OF WALKWAY SUPPORTS



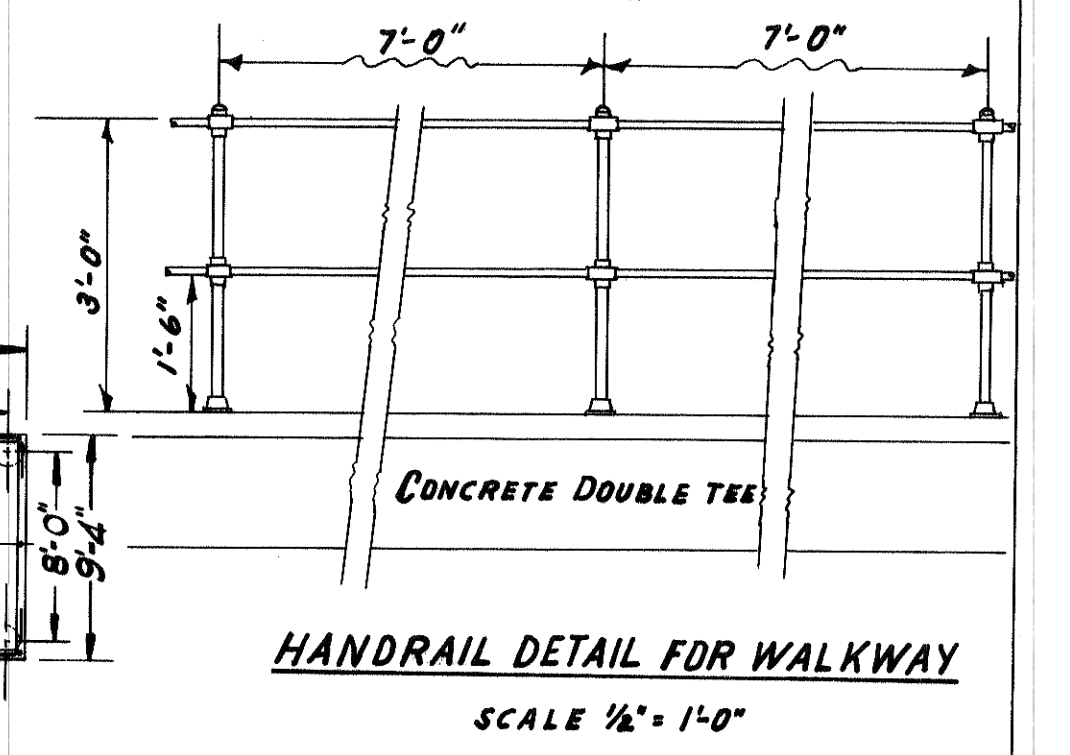
PLAN OF WALKWAY TO AERATOR
Scale 1/8" = 1'-0"



DETAIL WALKWAY SUPPORT BEAM
Scale 3/4" = 1'-0"



DETAIL WALKWAY SUPPORT BASE
Scale 3/4" = 1'-0"



HANDRAIL DETAIL FOR WALKWAY
Scale 1/2" = 1'-0"



Job:	SANITARY SEWER IMPROVEMENT DISTRICT NO. 14 CITY OF MANDAN, NORTH DAKOTA		
File No:	Date:	AUGUST 1966	
	Revised:		
SHEET NO. 7 OF 27 SHEETS			
Scale: As Shown			
Drawn by:	H.S. & H.M.F.		Checked by:
TYPICAL AERATOR & WALKWAY DETAILS			
George J. Toman R.P.E. NO. 185			Consulting Engineer Mandan, North Dakota