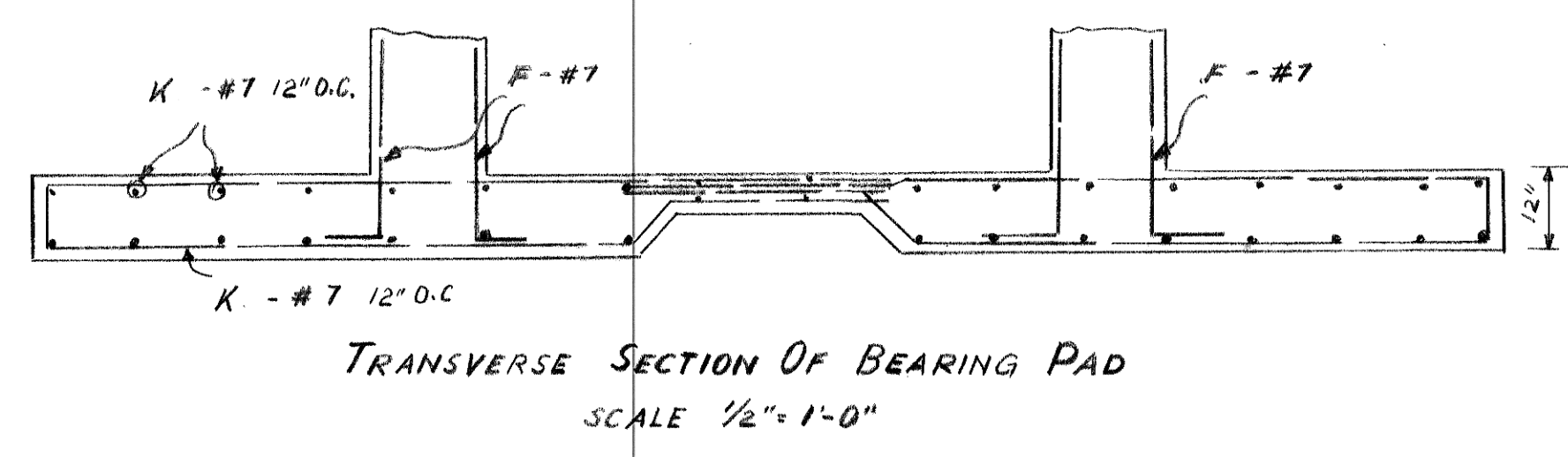


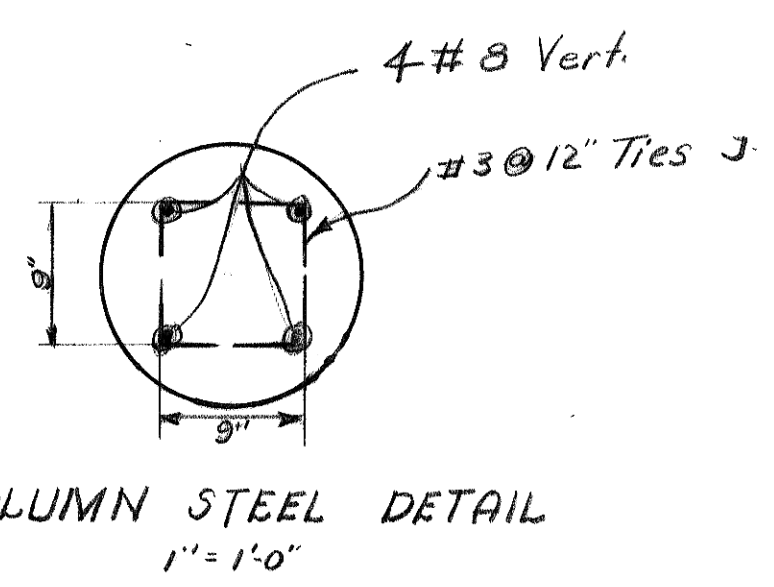
TYPICAL LONGITUDINAL SECTION AERATION PLATFORM SHOWING RE-BAR STEEL
Scale 1/2" = 1'-0"



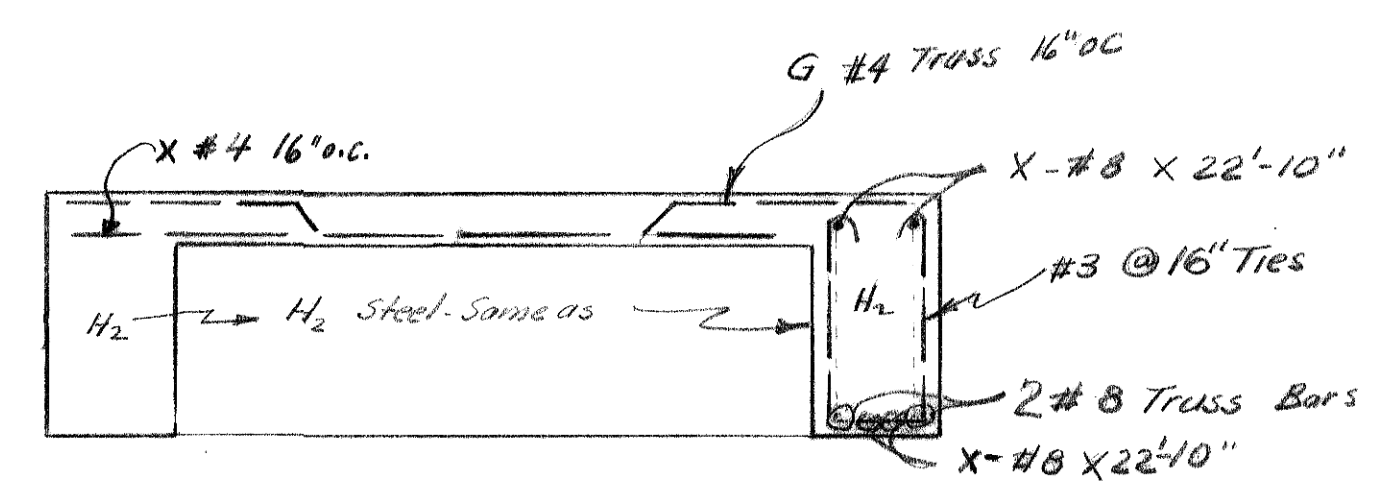
TRANSVERSE SECTION OF BEARING PAD
SCALE 1/2" = 1'-0"

AERATOR PLATFORM BAR SHAPES	
F	
G	
H	
J	
K	
L	
X	Straight Bar

NOTE: ALL REINFORCING STEEL LAPPED A DISTANCE OF 30 BAR DIAMETERS. ALL REINFORCEMENT HAS A MINIMUM CLEAR DISTANCE OF 1 1/2" TO FACE CONCRETE UNLESS OTHERWISE SHOWN.

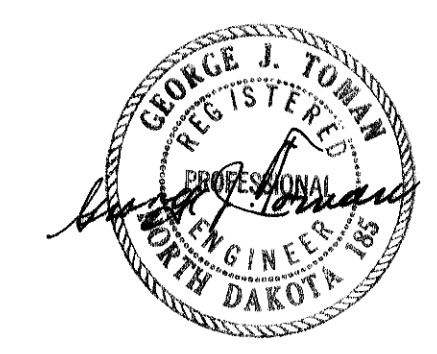


COLUMN STEEL DETAIL
1" = 1'-0"



END STEEL DETAIL - AERATOR PLATFORM
1/2" = 1'-0"

BAR TYPE	DETAILED BAR DIMENSIONS EXPRESSED IN FEET & INCHES & FRACTIONS OF AN INCH						
	A	B	C	D	E	F	S
F	2'-8"	0'-6"					
G	2'-0"	2'-0"	4'-4"				0'-4 1/4"
H ₁	0'-4"	1'-3"	0'-9"	1'-3"			
H ₂	0'-6"	2'-2"	1'-1"	2'-2"			
J	0'-4"	0'-9"	0'-9"	0'-9"	0'-9"		
K	9'-3"	0'-9"	6'-11"	0'-6"	0'-6"	0'-10"	0'-8 1/2"
L	0'-4"	1'-1 1/2"	0'-2 1/2"	1'-0"			0'-7"



Job: SANITARY SEWER IMPROVEMENT
DISTRICT NO. 14
CITY OF MANDAN, NORTH DAKOTA

Date: 20 August 1966

Revised:

SHEET NO. 8 OF 27 SHEETS
Scale: As Shown

DRAWN BY: GJT CHECKED BY: R.P.

RE-BAR DETAILS FOR AERATOR
PLATFORM & BEARING PAD

George J. Toman
R. P. E. No. 185

Consulting Engineer
Mandan, North Dakota