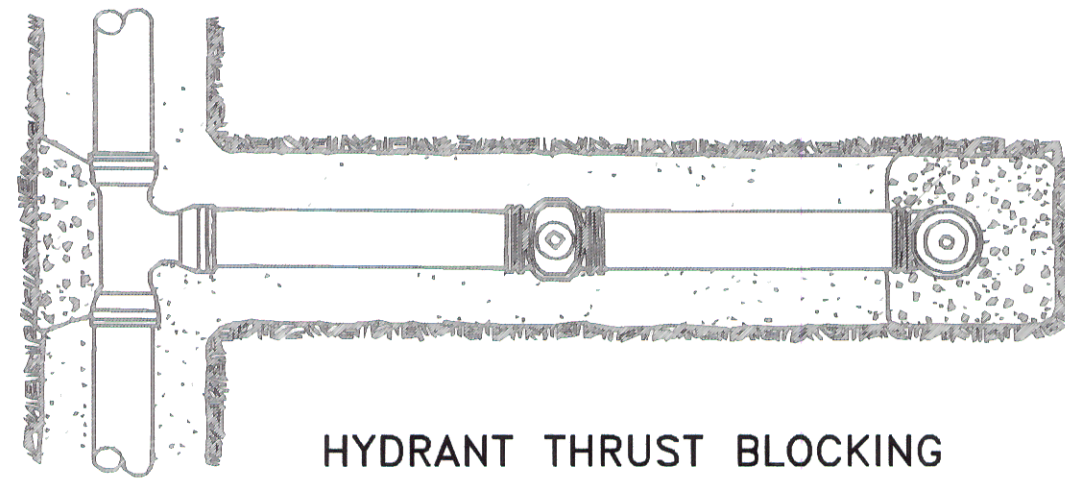
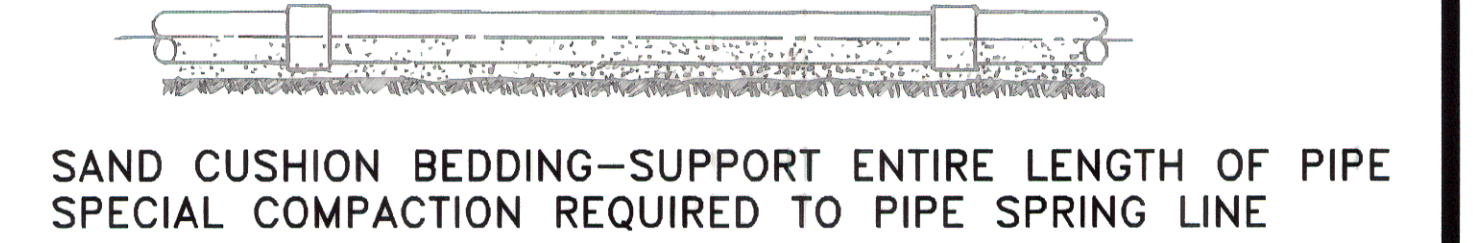
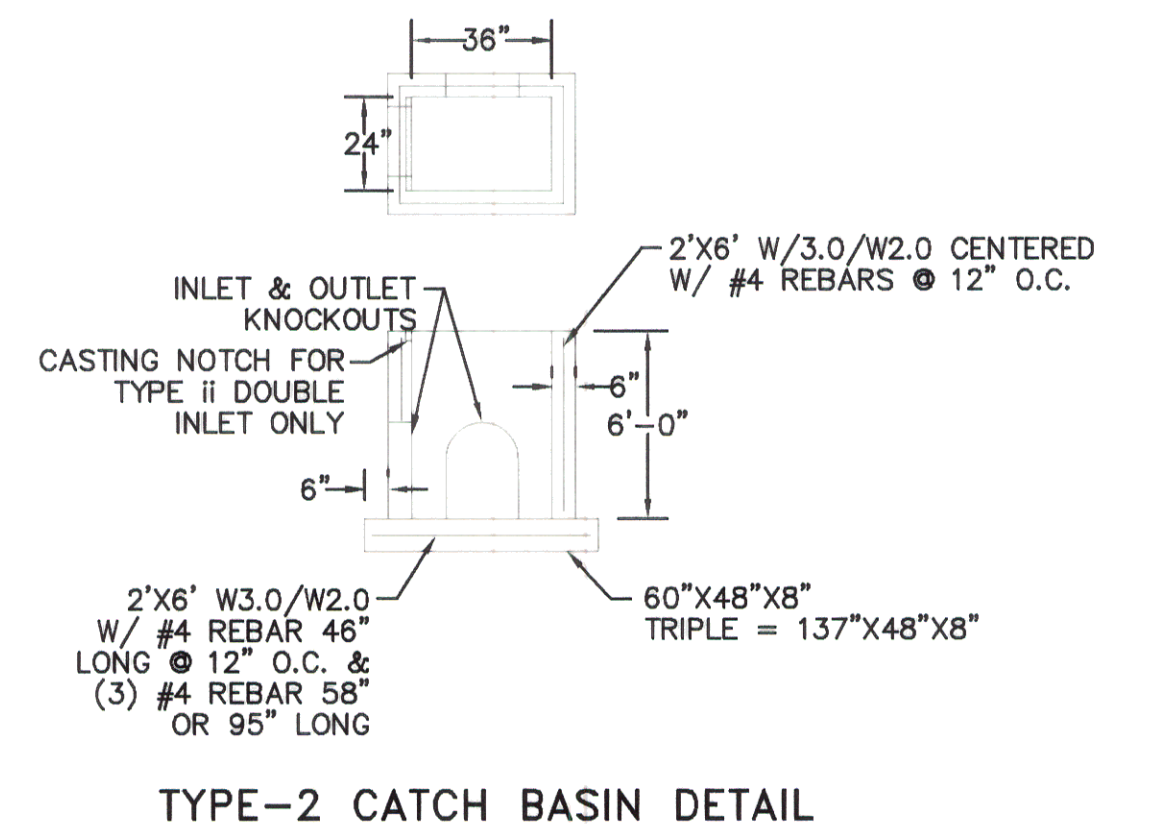
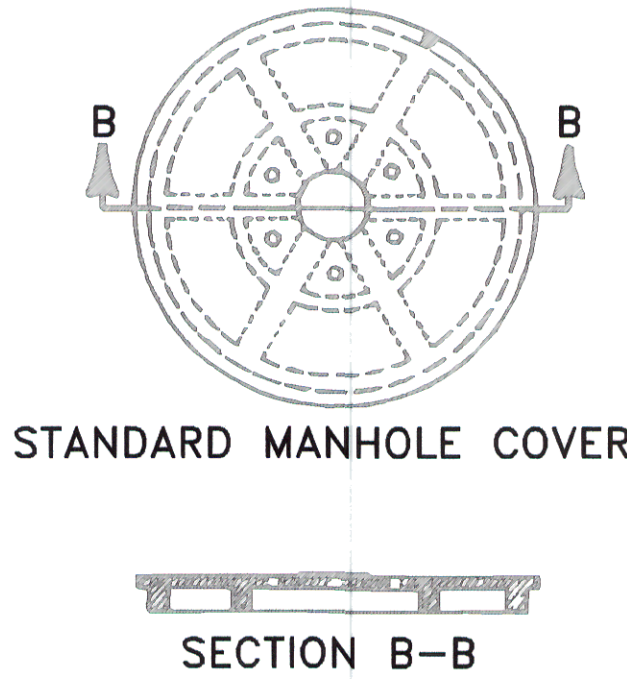
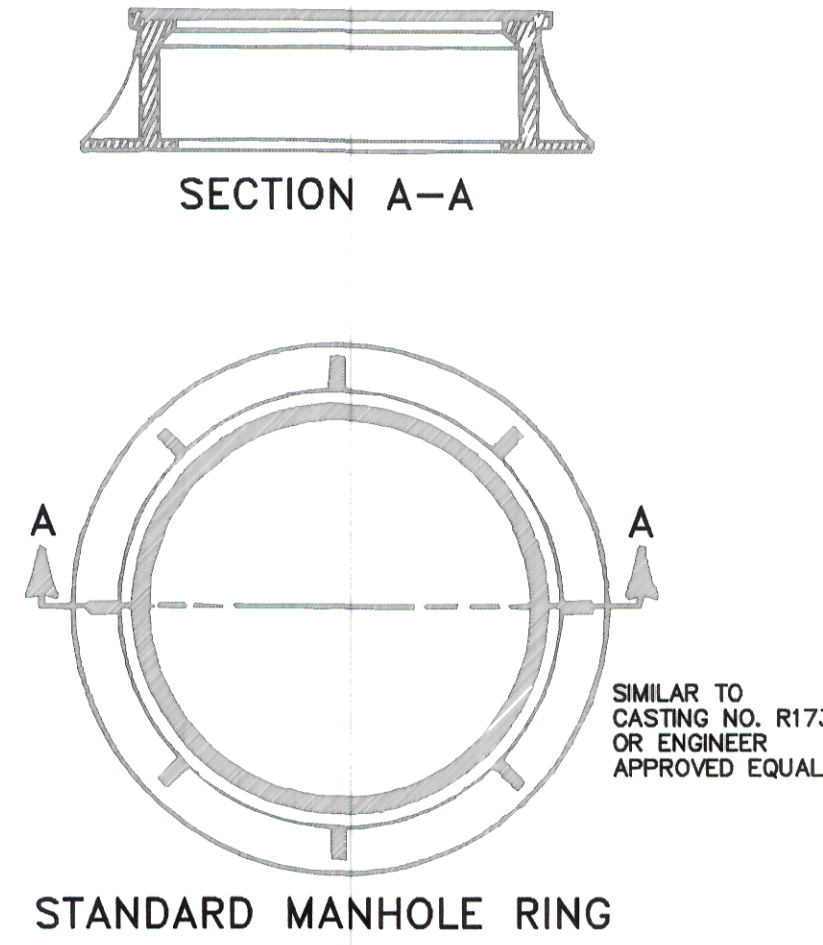
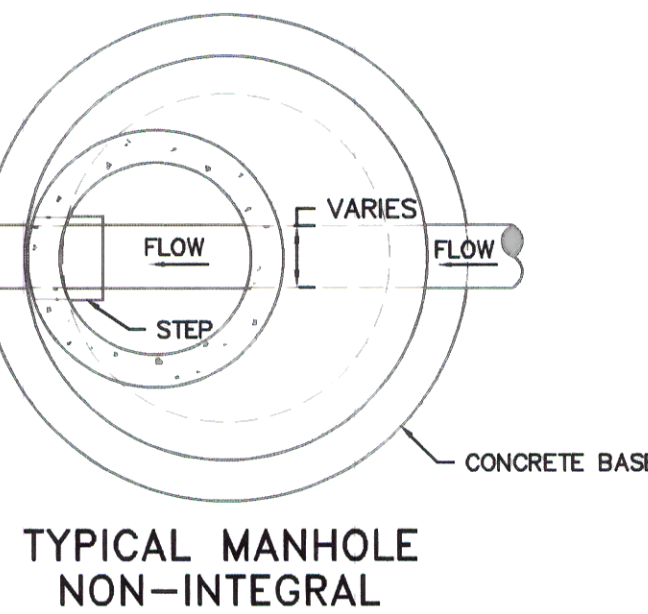
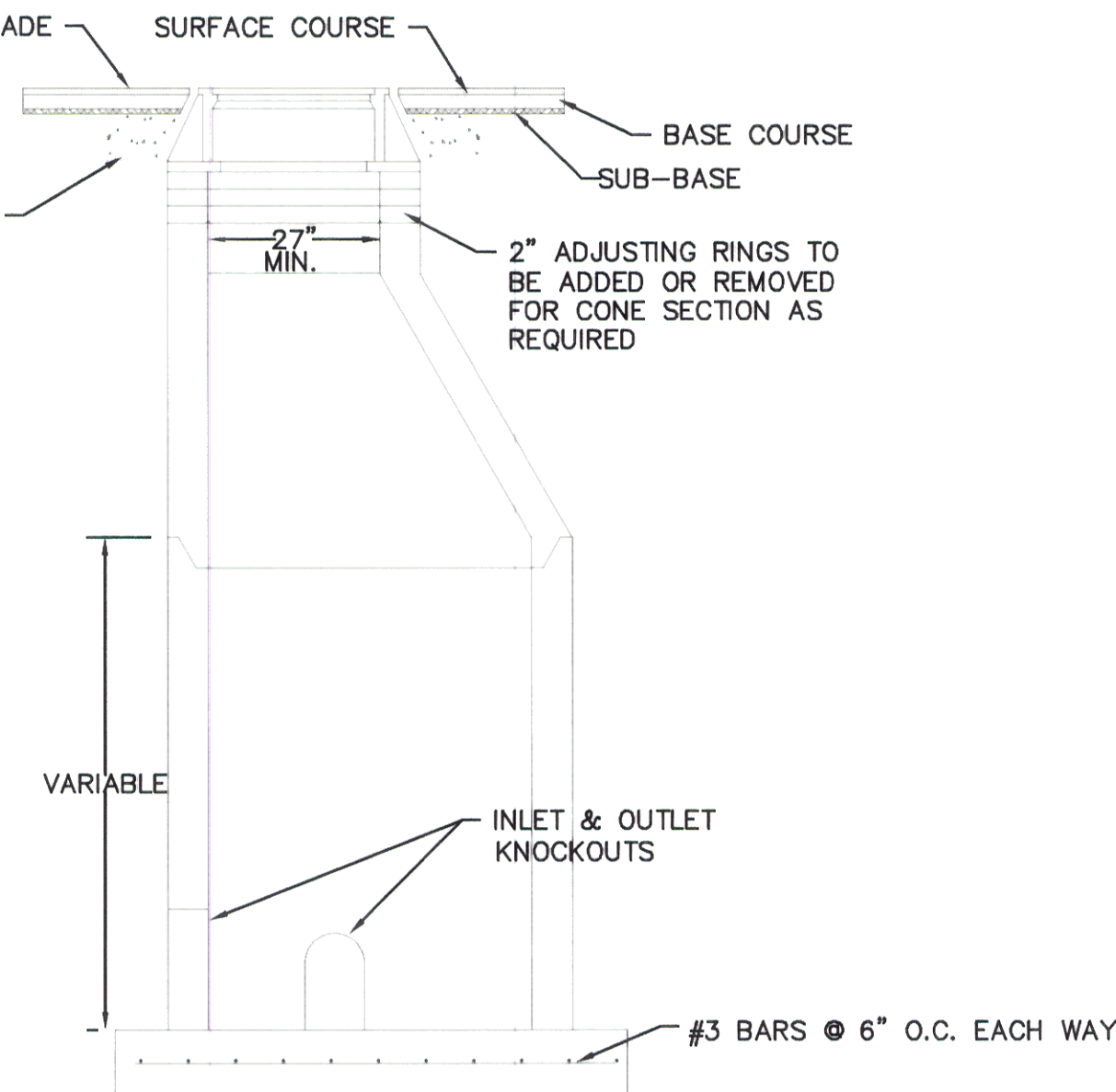
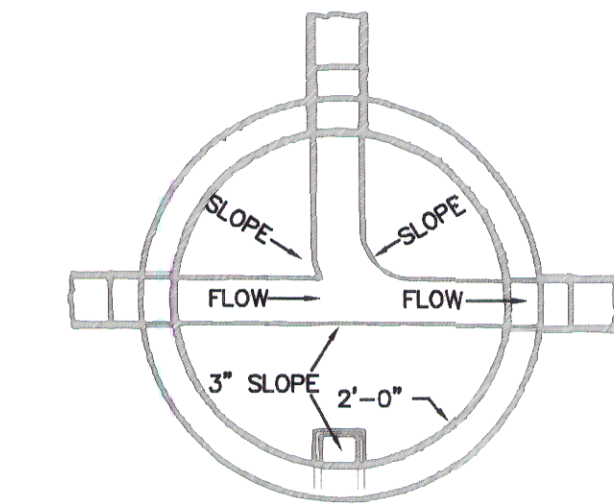
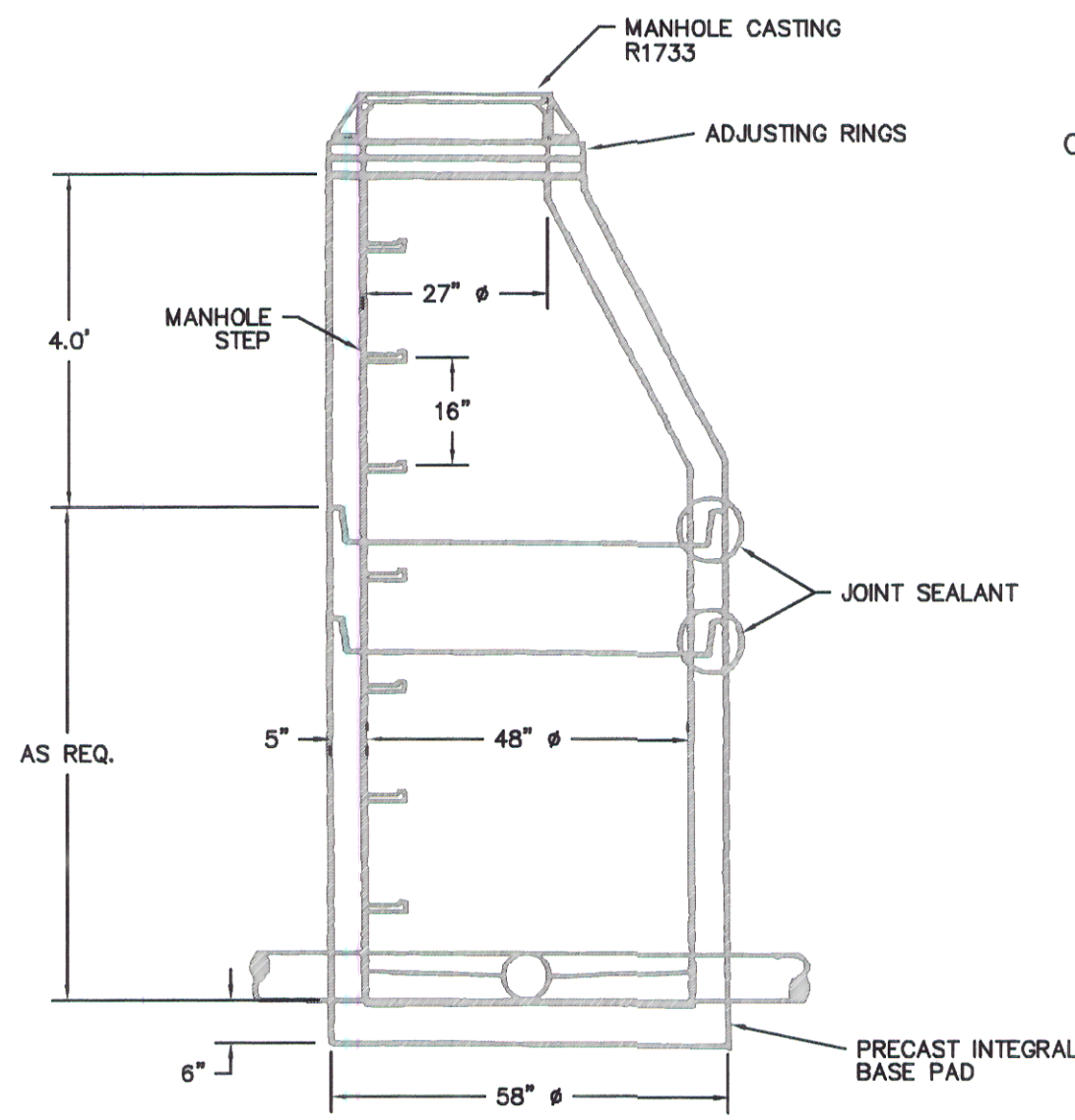
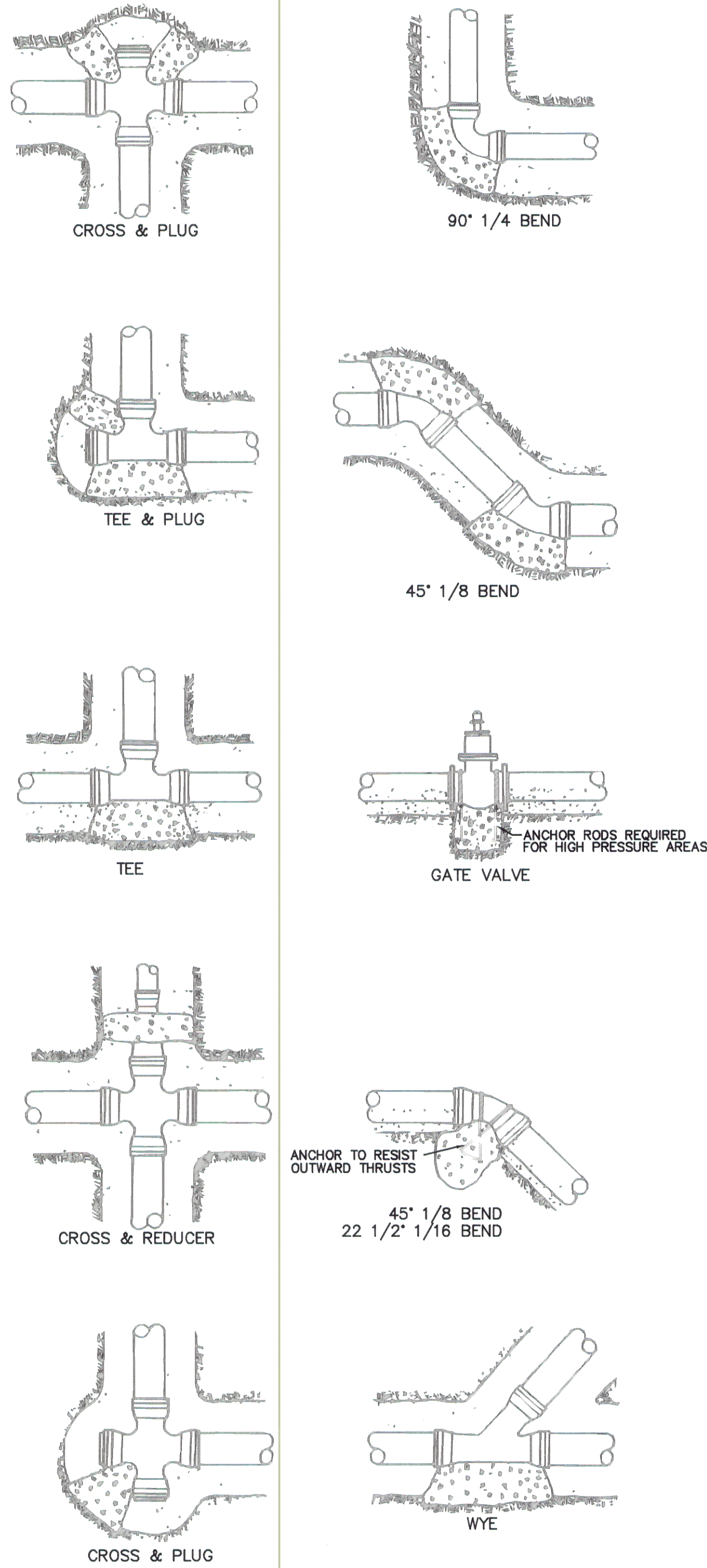


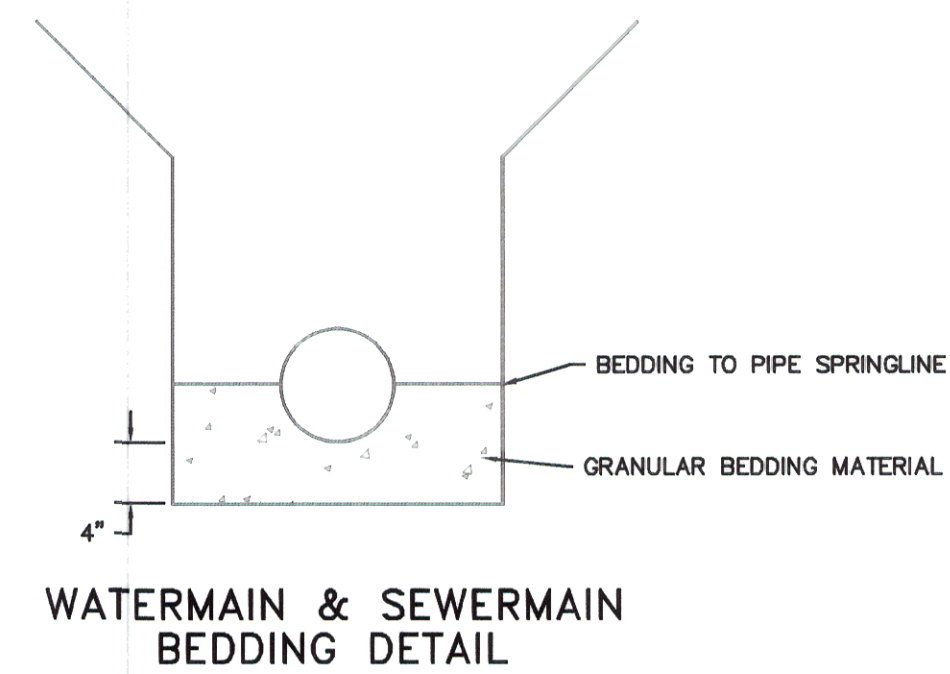
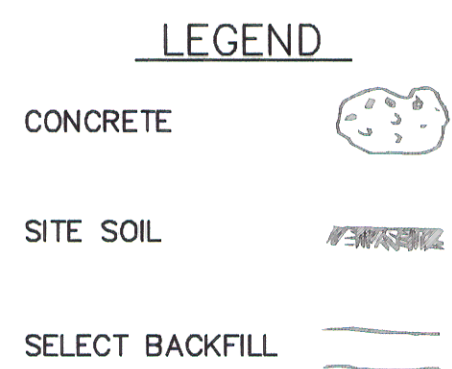
DETAIL SHEET

NO SCALE

THRUST BLOCK DETAILS



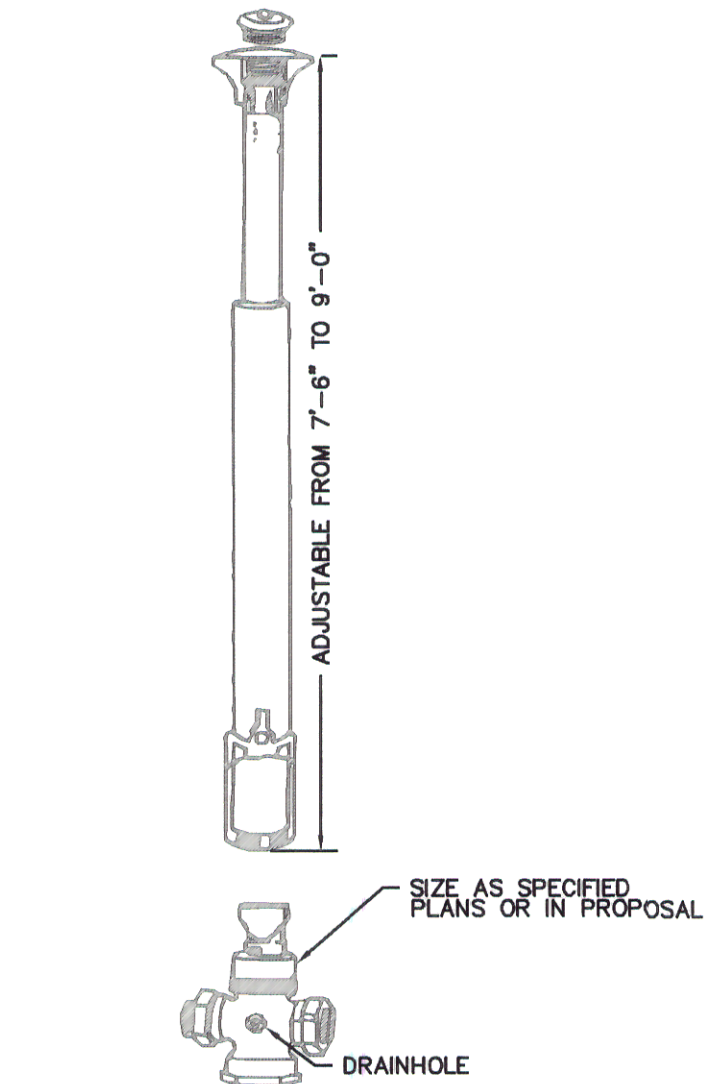
NOTE: (1) PIPE DEFLECTIONS SHALL BE IN ACCORDANCE WITH THE MANUFACTURER'S SPECIFICATIONS (2) BEDDING REQUIREMENTS SHALL BE AS INDICATED HEREON UNLESS MODIFIED IN THE SPECIFICATIONS (3) CONCRETE FOR THRUST BLOCKS SHALL HAVE MINIMUM 28 DAY COMPRESSIVE STRENGTH OF 3,000 PSI, AND MAX. SLUMP OF 3 INCHES AT TIME OF PLACEMENT.



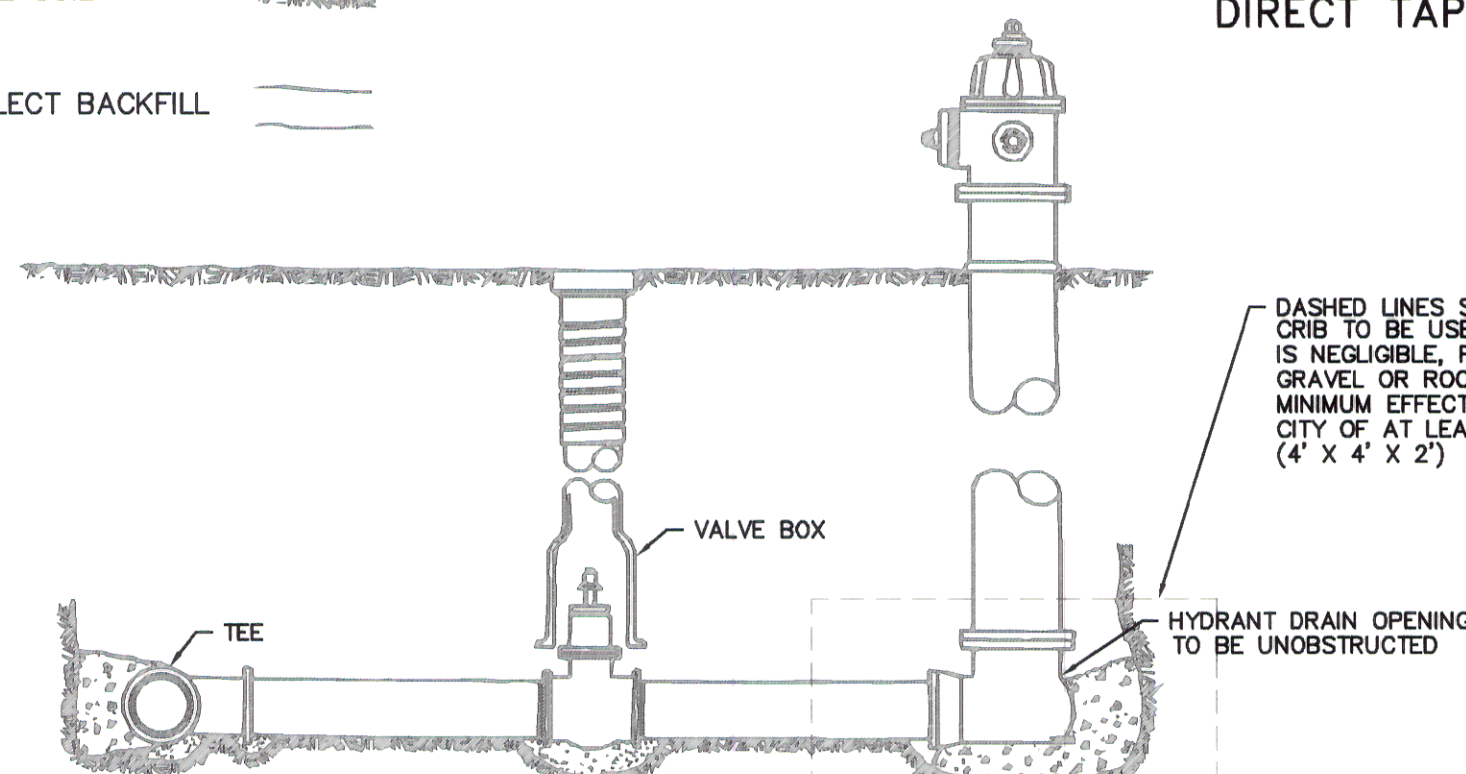
MAXIMUM SIZE OF OUTLET RECOMMENDED WITH SERVICE CLAMPS (INCHES)

NOMINAL PIPE SIZE	OUTLET SIZE SINGLE STRAP	OUTLET SIZE DOUBLE STRAP (CLASSES 100-150-200)
4"	1"	1"
6"	1 1/2"	1 1/2"
8"	2"	2"
10"	2"	2"
12"	2"	2"
14"	2"	2"
16"	2"	2"

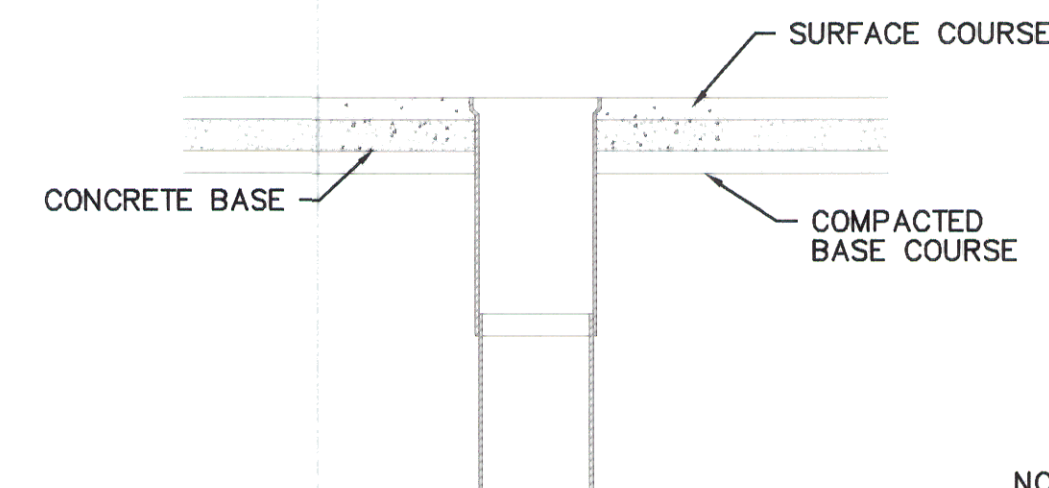
SADDLES FOR PVC WATERMAIN



NOTE: (1) CURB STOP SHALL BE PLACED ON 4" X 8" X 2" CONCRETE BLOCK (2) AFTER CURB STOP IS PLACED ON CONCRETE BLOCK BACKFILL AROUND CURB STOP WITH WASHED GRAVEL APPROX. 1FT³ PER BOX



DASHED LINES SHOW OUTLINE OF CRIB TO BE USED WHEN PERCOLATION IS NEGLIGIBLE. FILL WITH COARSE GRAVEL OR ROCK TO PROVIDE A MINIMUM EFFECTIVE LEACHING CAPACITY OF AT LEAST ONE CUBIC YARD (4' X 4' X 2')



NOTE:
1. SIGNING BY OTHERS
2. ALL CONSTRUCTION SIGNING INCIDENTAL TO PROJECT.
3. ALL EXCESS EXCAVATION MATERIAL TO BE HAULED TO WASTE AREA AND GRADED
4. SALVAGE & STOCK PILE ALL GRAVEL MATERIAL FOR REPLACEMENT IN AREAS THAT MIGHT NEED STABILIZING. EXCESS MATERIAL TO BE HAULED TO THE WASTE AREA AND GRADED.



CAUTION
LOCATE ALL BURIED UTILITIES BEFORE DIGGING
OVERHEAD POWER



NO.	DATE	BY	REVISIONS	DATE	BY	DATE
1	2/99	AR	AS-BUILT	2-97		