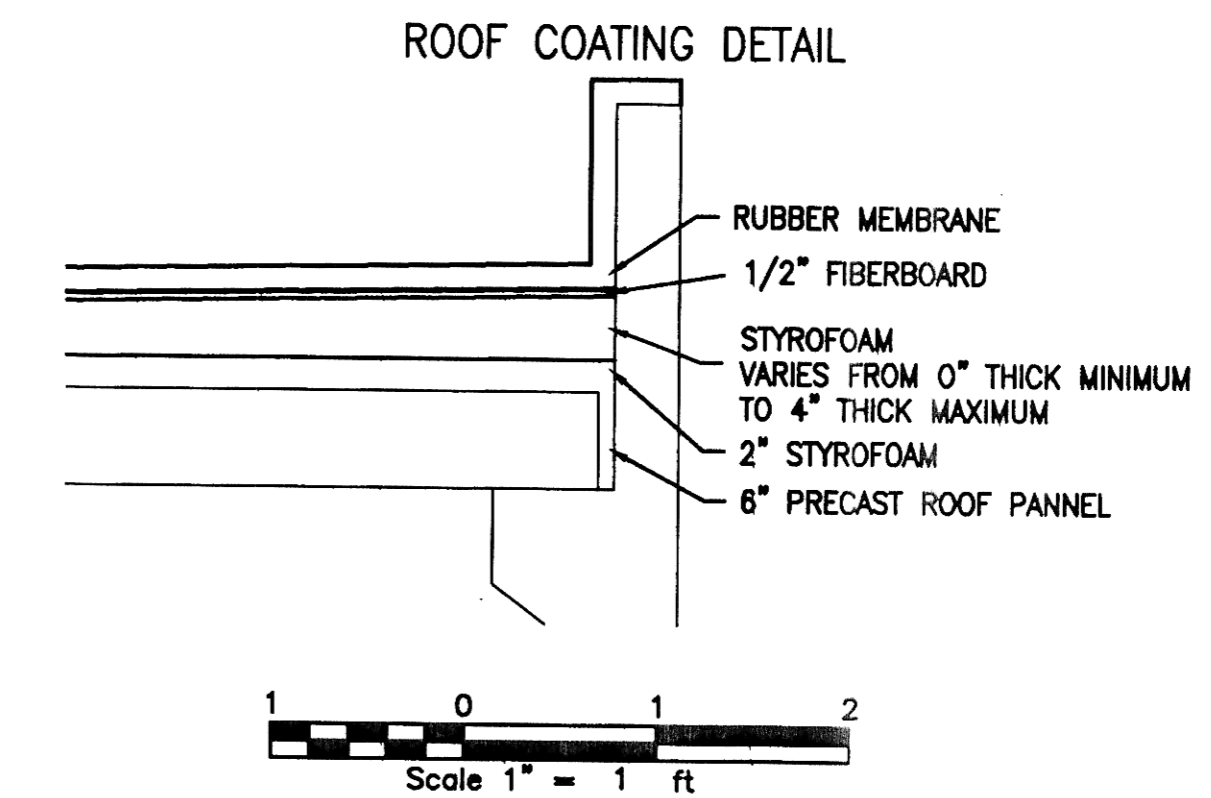
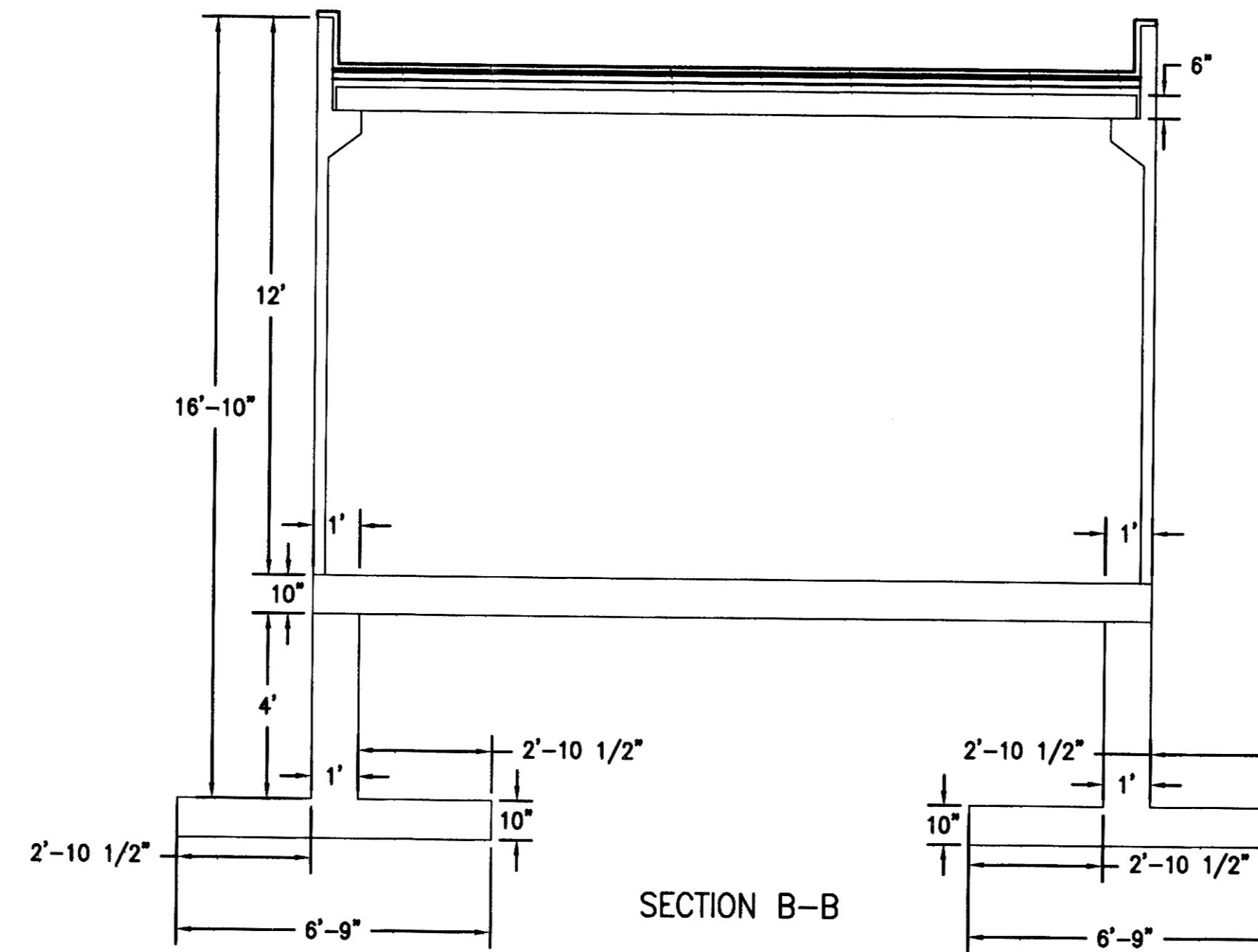
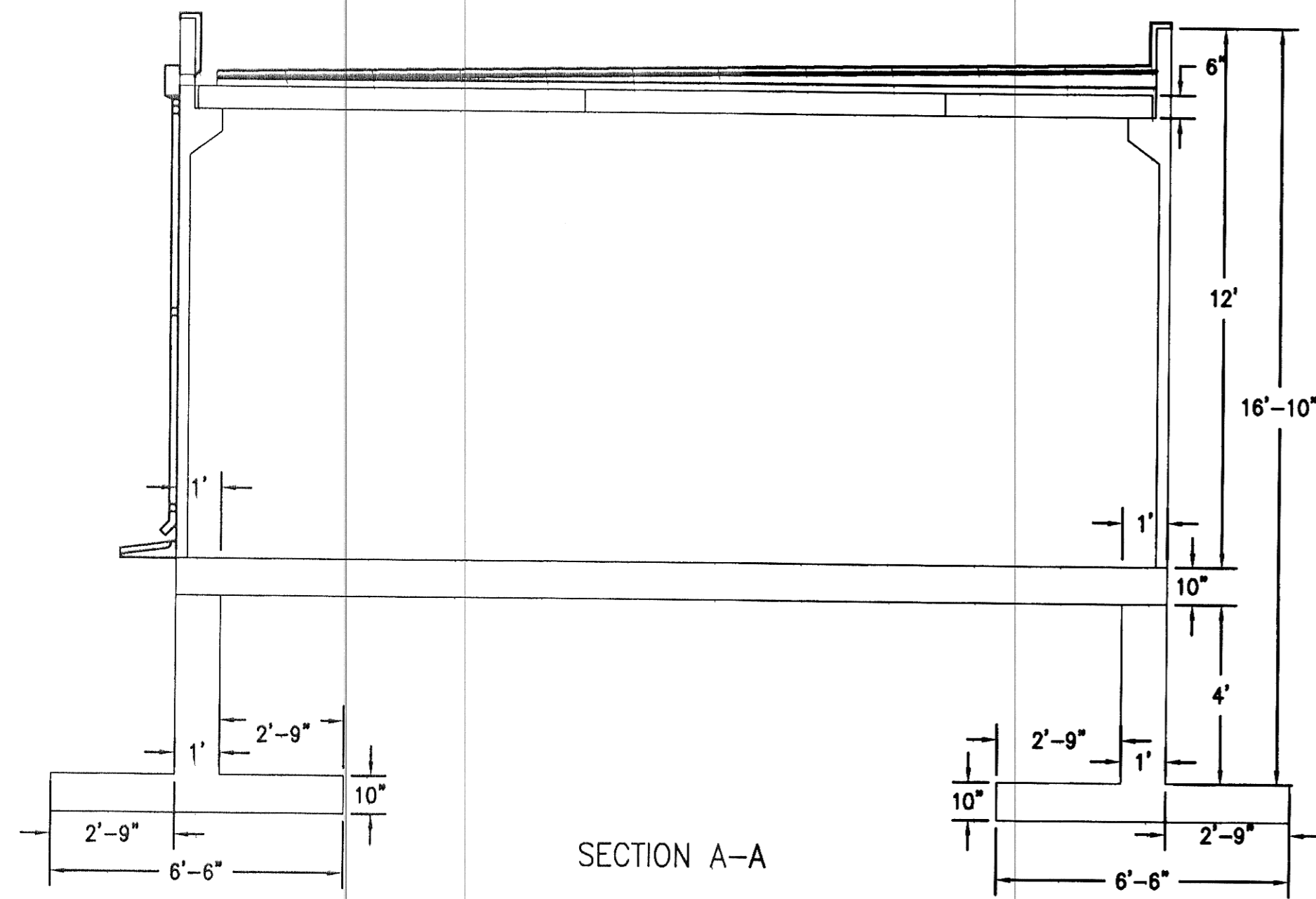
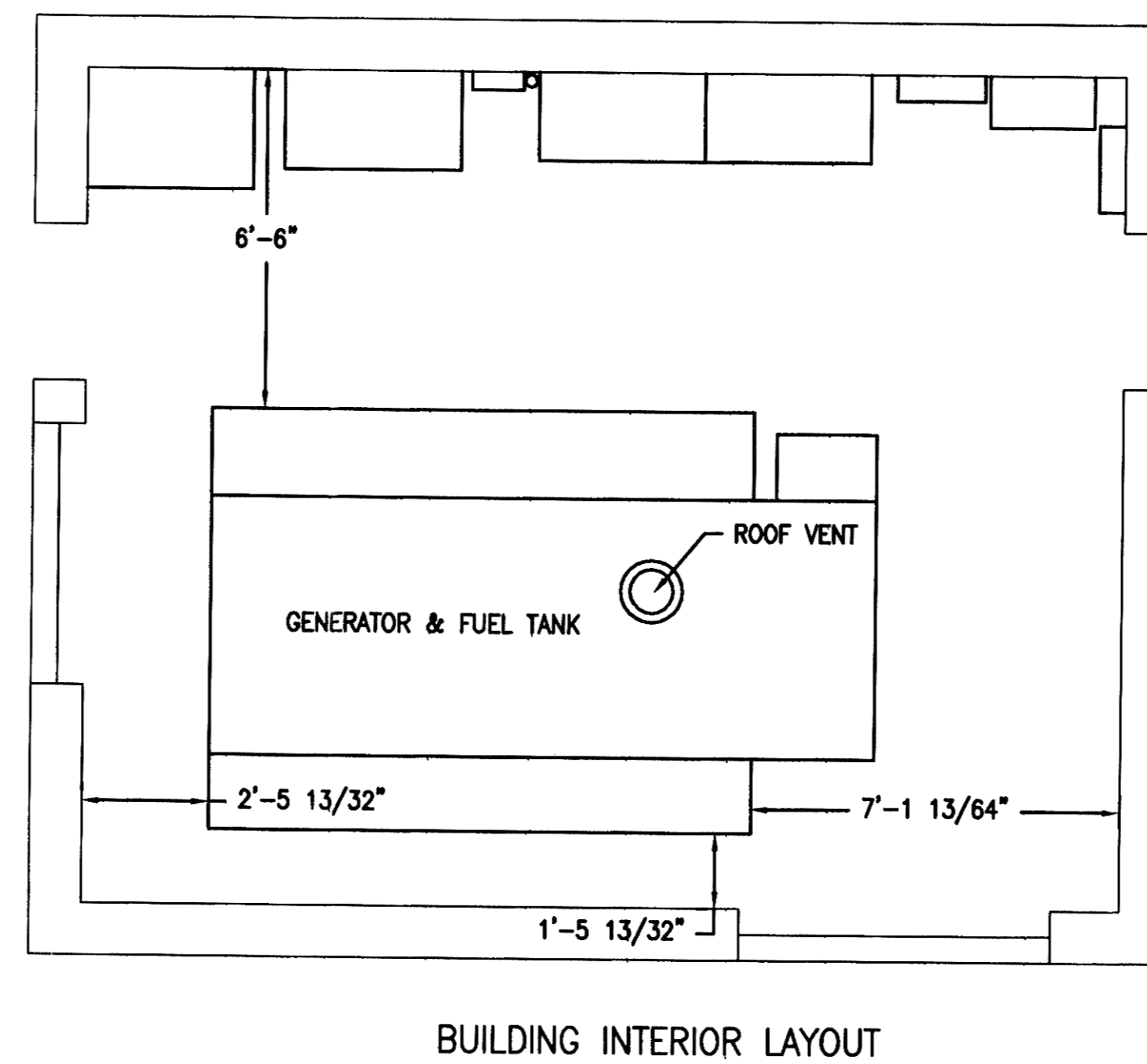
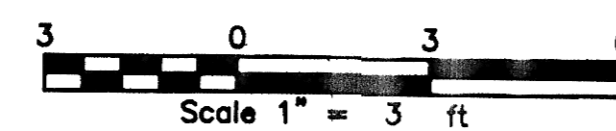
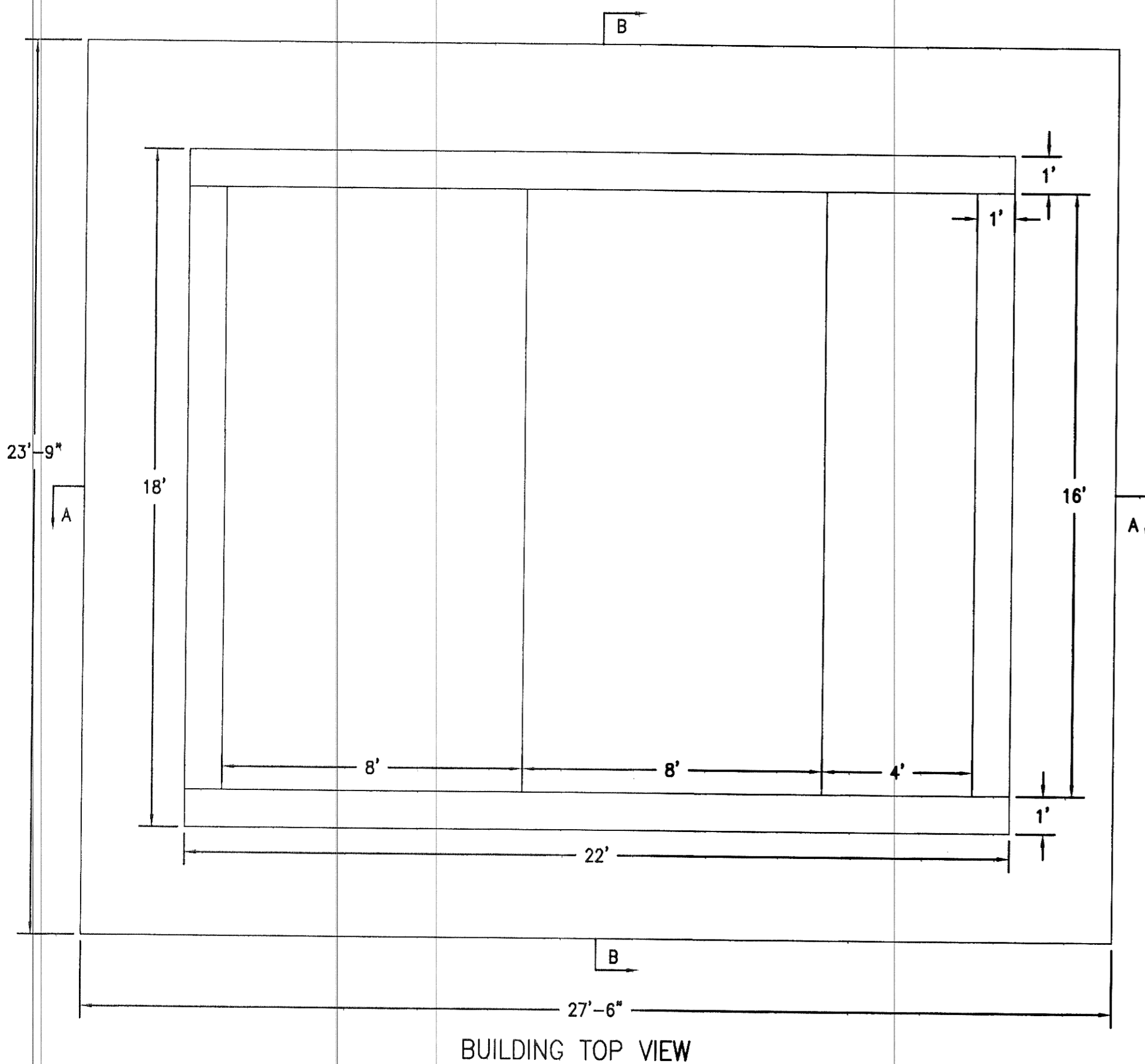
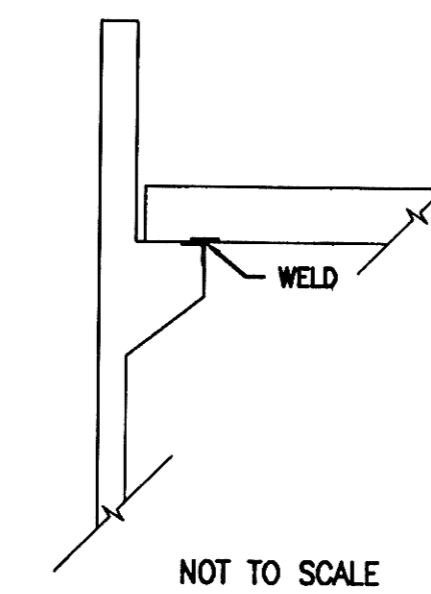


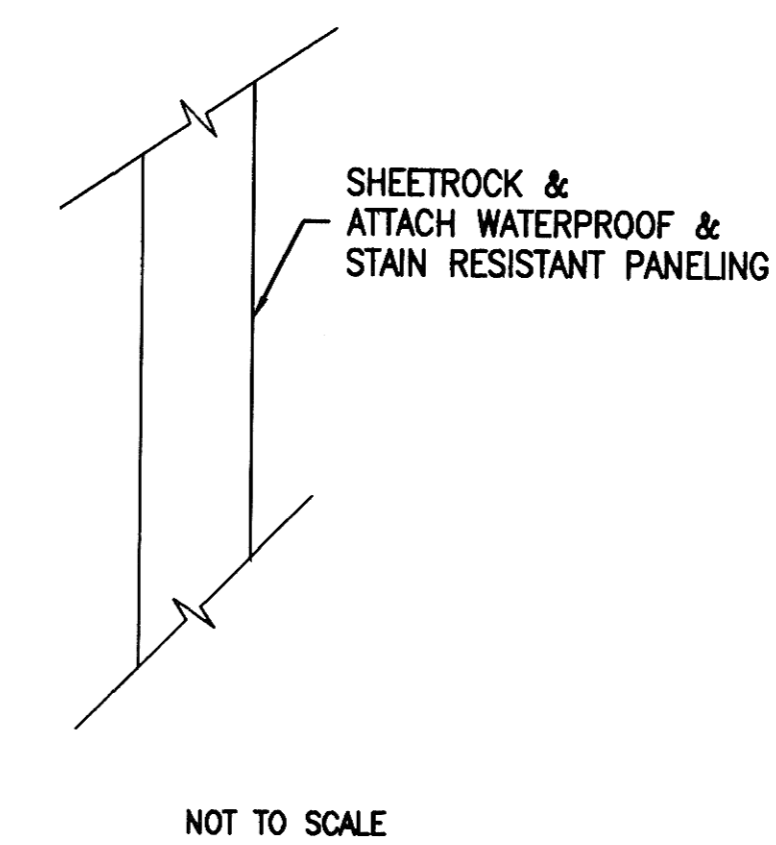
# AS BUILT WALL & ROOF DETAILS



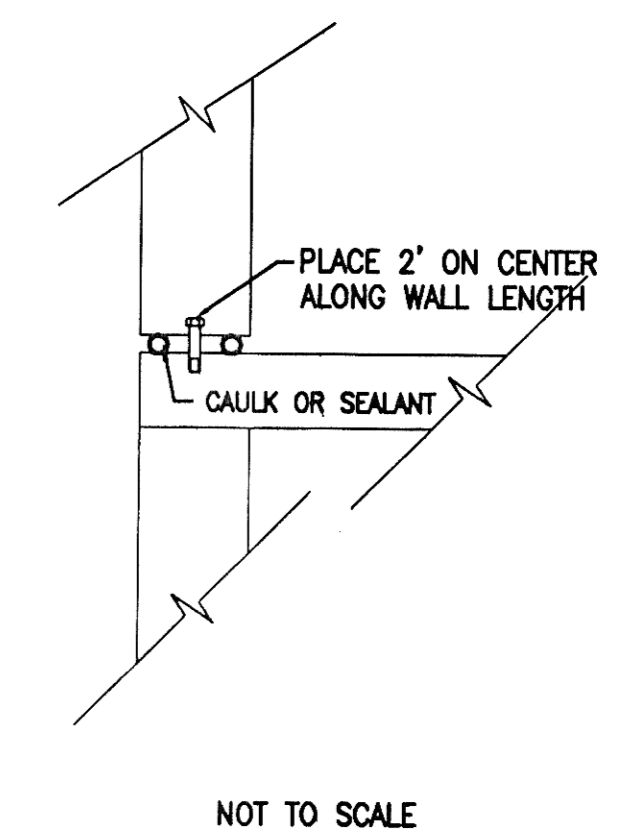
PRECAST ROOF TO PRECAST WALL CONNECTION DETAIL



WALL FINISH DETAIL



PRECAST WALL TO FLOOR CONNECTION DETAIL



TOMAN ENGINEERING COMPANY  
CONSULTING CIVIL ENGINEERS  
908 2ND ST. N.W. • MINNAP, NORTH DAKOTA 58554 • 701-853-6483

PROJECT: STANDBY GENERATOR & GENERATOR BUILDING REPLACEMENT AS BUILT WALL & ROOF DETAILS

NO.	REVISIONS	BY	DATE	ISSUED NO.	ISSUED DATE	REVISED NO.	REVISED DATE
				7277	6/29/2000		
					9/27/2001		
							9/27/2001

TITLE: STORM WATER PUMP REPLACEMENT

SHEET NUMBER  
10  
OF 17 SHEETS

AVOID CUTTING UNDERGROUND UTILITY LINES IN YOUR AREA  
TWO WORKING DAYS BEFORE YOU DIG DRILL-BLAST IN NORTH DAKOTA - CALL TOLL FREE 1-800-795-0555 UTILITIES UNDERGROUND LOCATION CENTER

