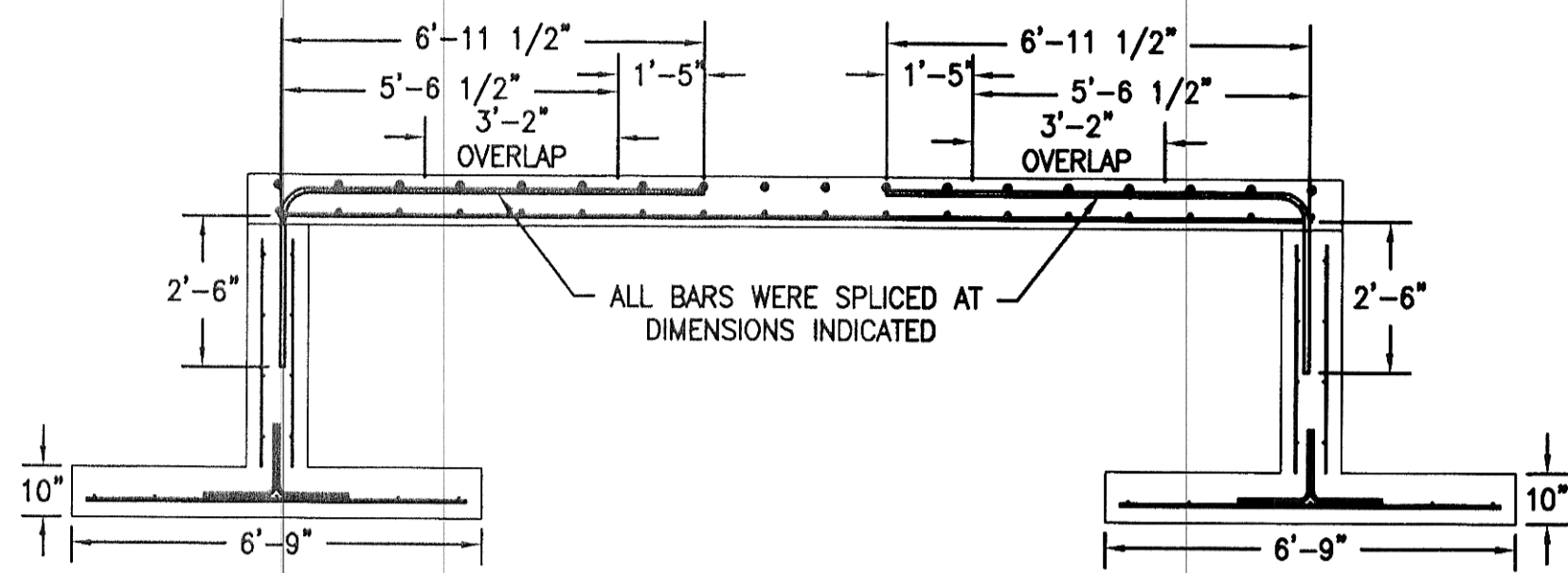
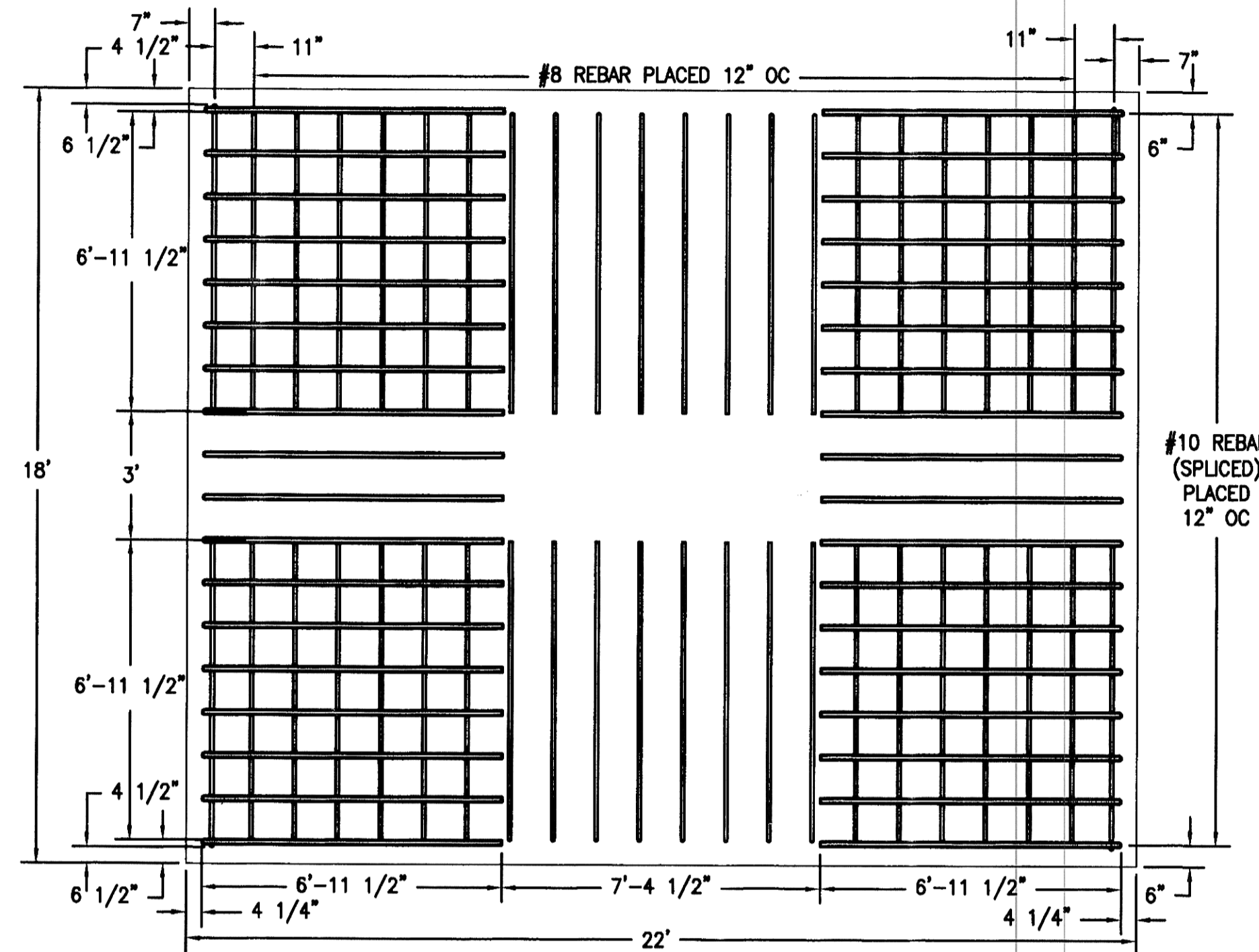
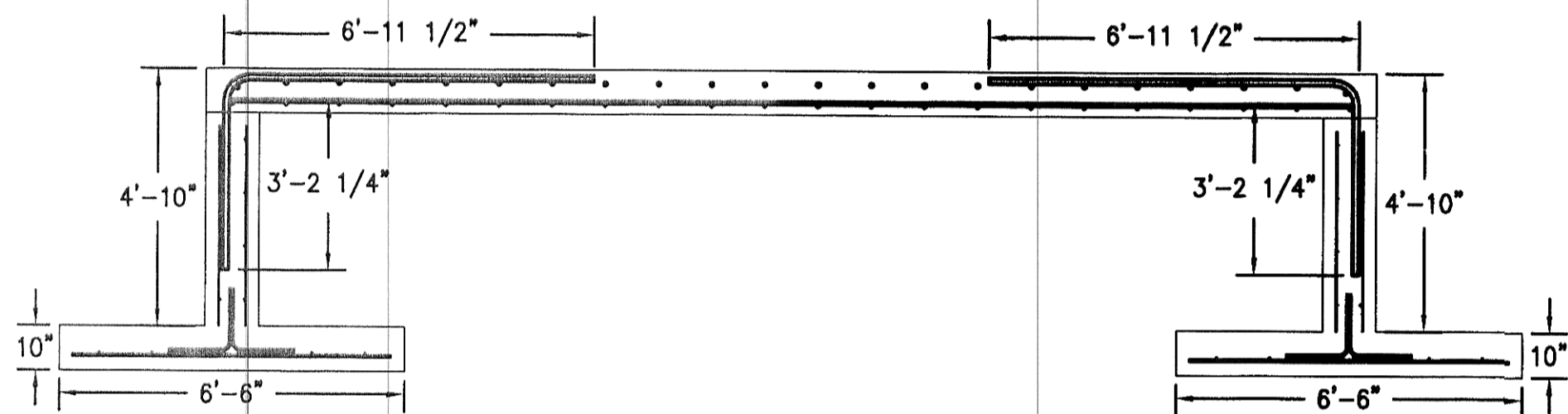


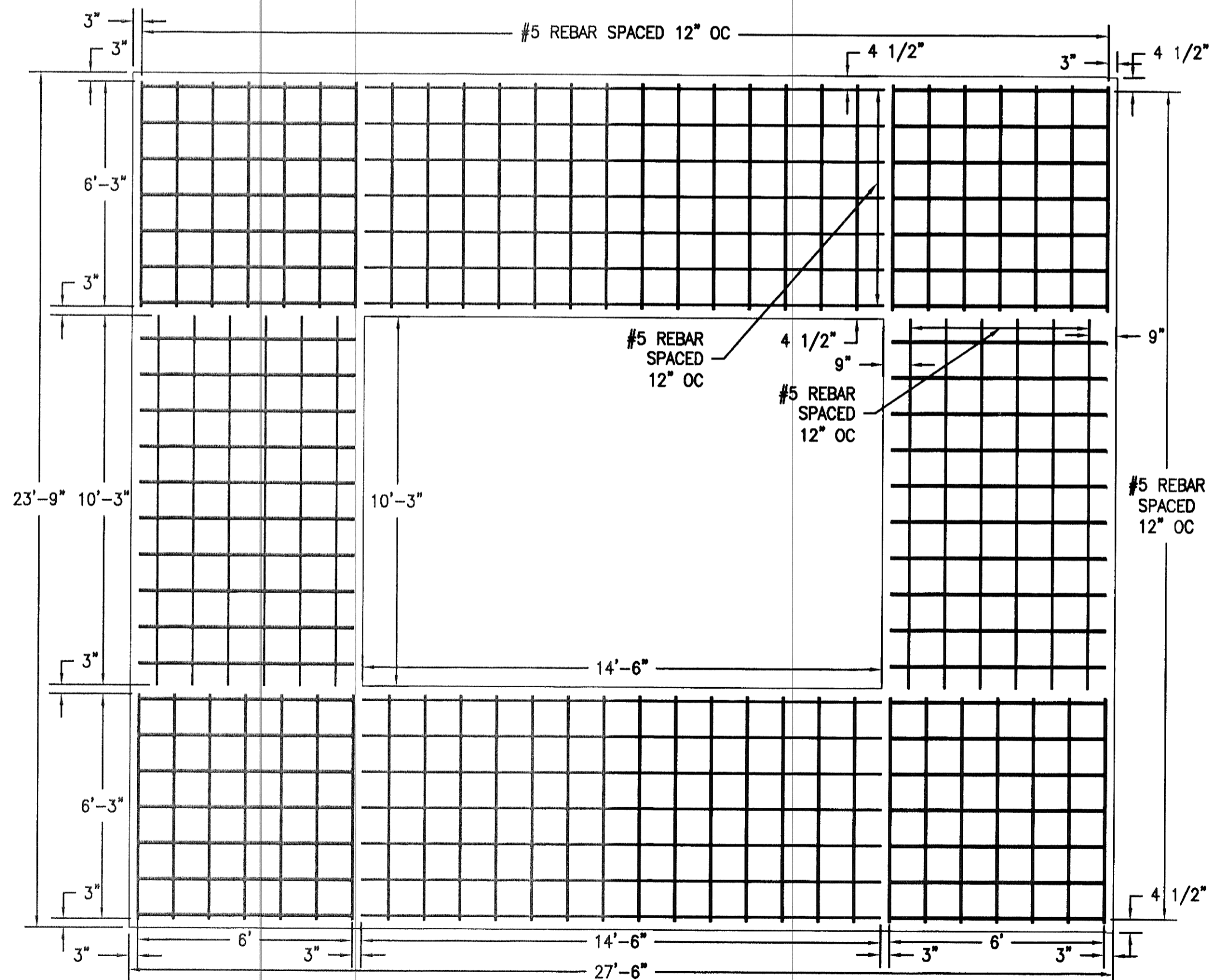
AS BUILT FOOTING & FLOOR DETAILS



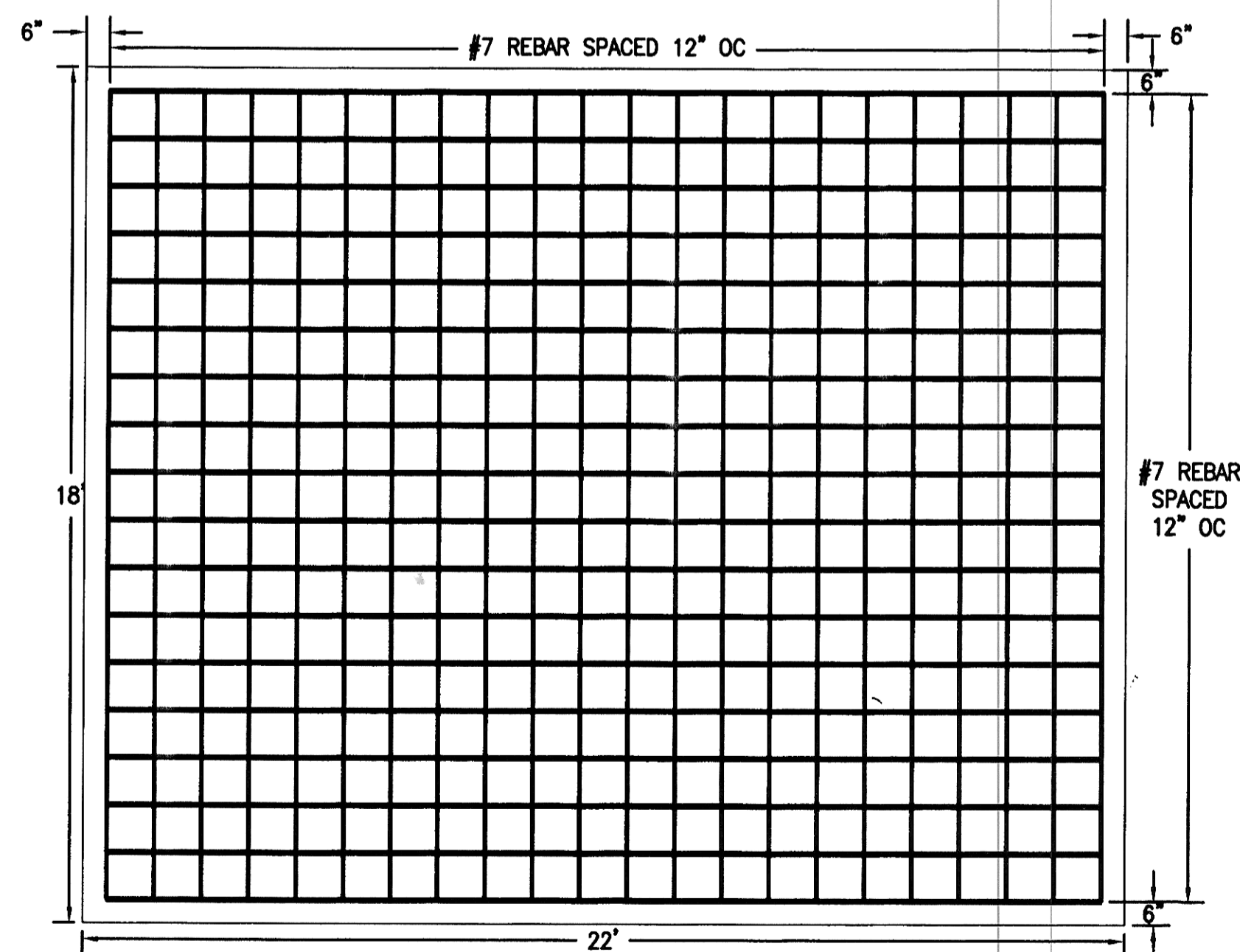
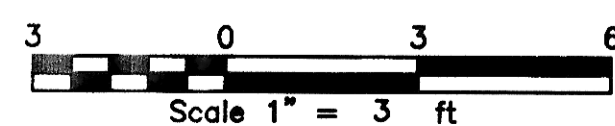
TYPICAL CROSS SECTIONS OF FOUNDATION & FLOOR SLAB



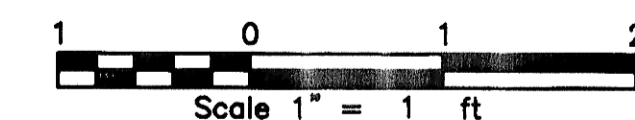
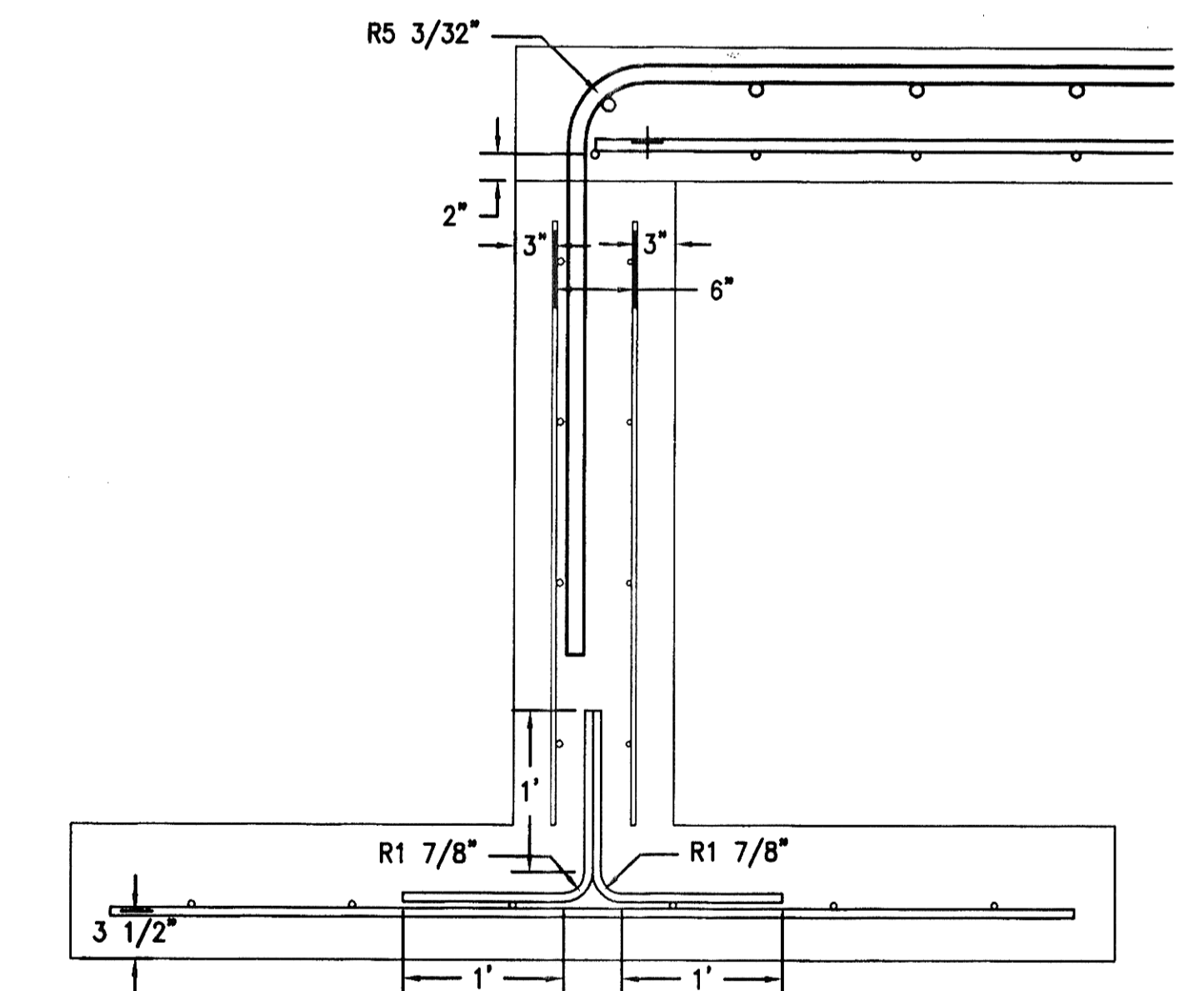
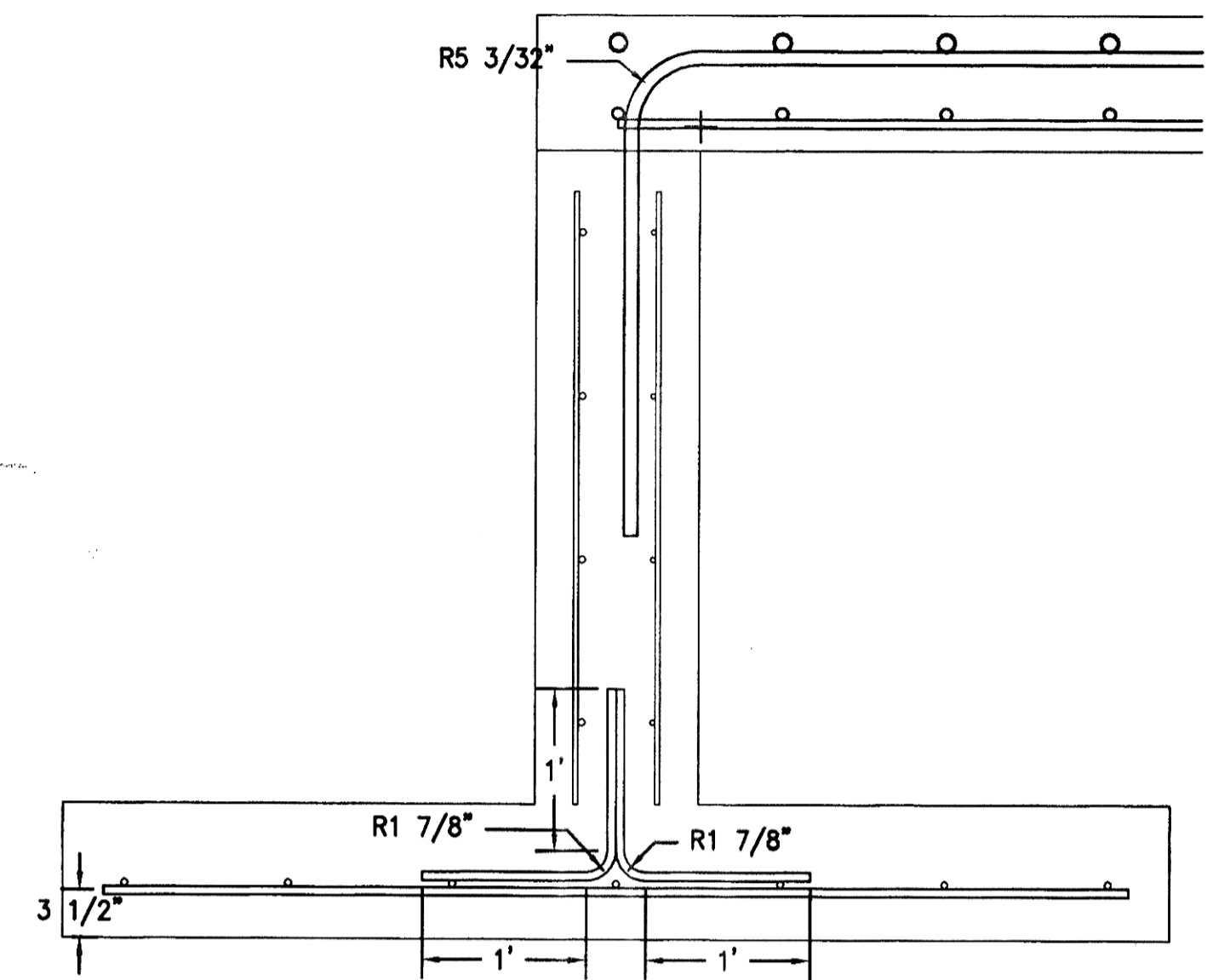
TOP LAYER CAST IN PLACE FLOOR REINFORCEMENT



FOUNDATION FOOTING REINFORCEMENT



BOTTOM LAYER CAST IN PLACE FLOOR REINFORCEMENT



AVOID CUTTING UNDERGROUND UTILITY LINES IN YOUR AREA
TWO WORKING DAYS BEFORE YOU DIG-DRILL-BLAST IN NORTH DAKOTA - CALL TOLL FREE 1-800-795-0555 UTILITIES UNDERGROUND LOCATION CENTER



TOMAN ENGINEERING COMPANY
CONSULTING CIVIL ENGINEERS
908 2ND ST. N.W. * MINNAPOLIS, NORTH DAKOTA 58004 * 701-663-6663

PROJECT: STANDBY GENERATOR & GENERATOR BUILDING REPLACEMENT AS BUILT FOOTING & FLOOR DETAILS

NO.	DATE	BY	REVISIONS	APPROVED BY
1	6/29/2000	MB		
2	9/7/2001	MB		

TITLE: STORM WATER PUMP REPLACEMENT

SHEET NUMBER 11 OF 17 SHEETS