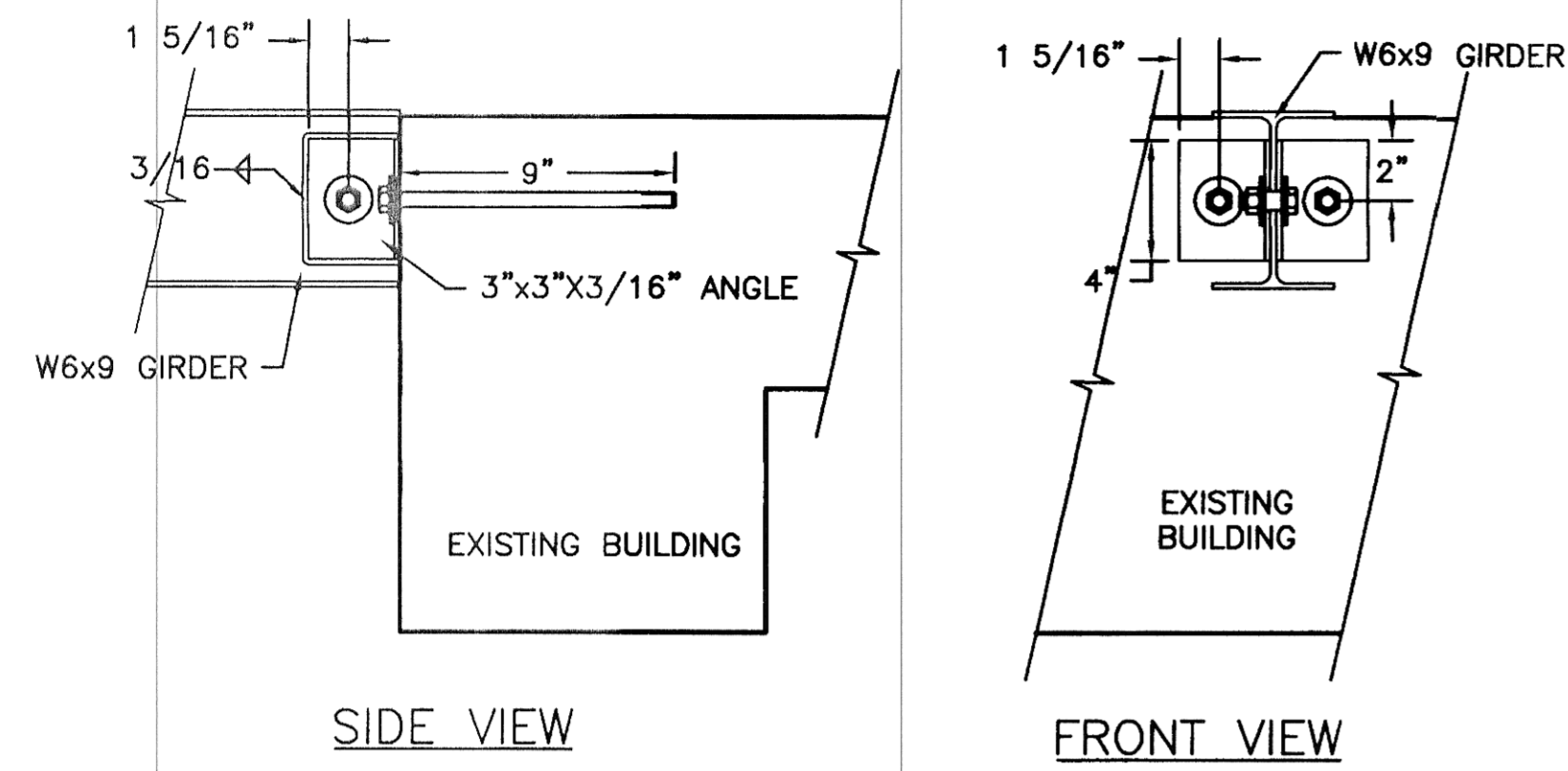


# AS BUILT PUMP CUTOUTS & SLUICE GATE DETAILS

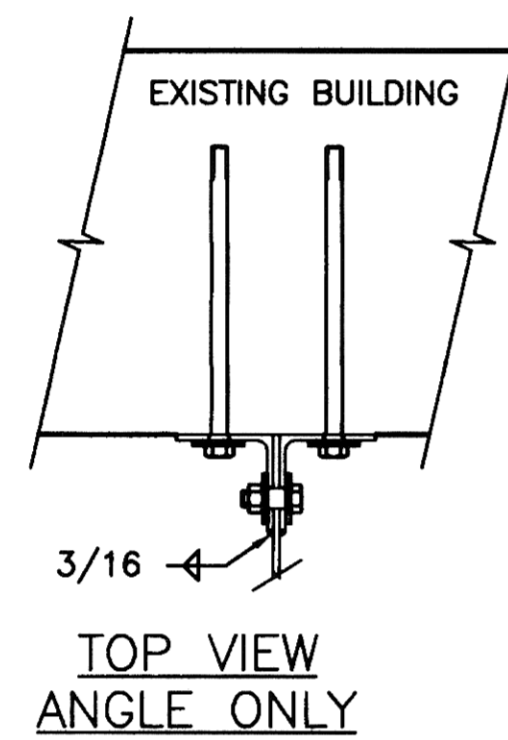
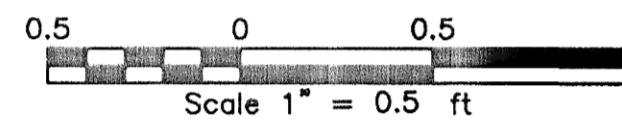
GIRDER TO STRUCTURE CONNECTION



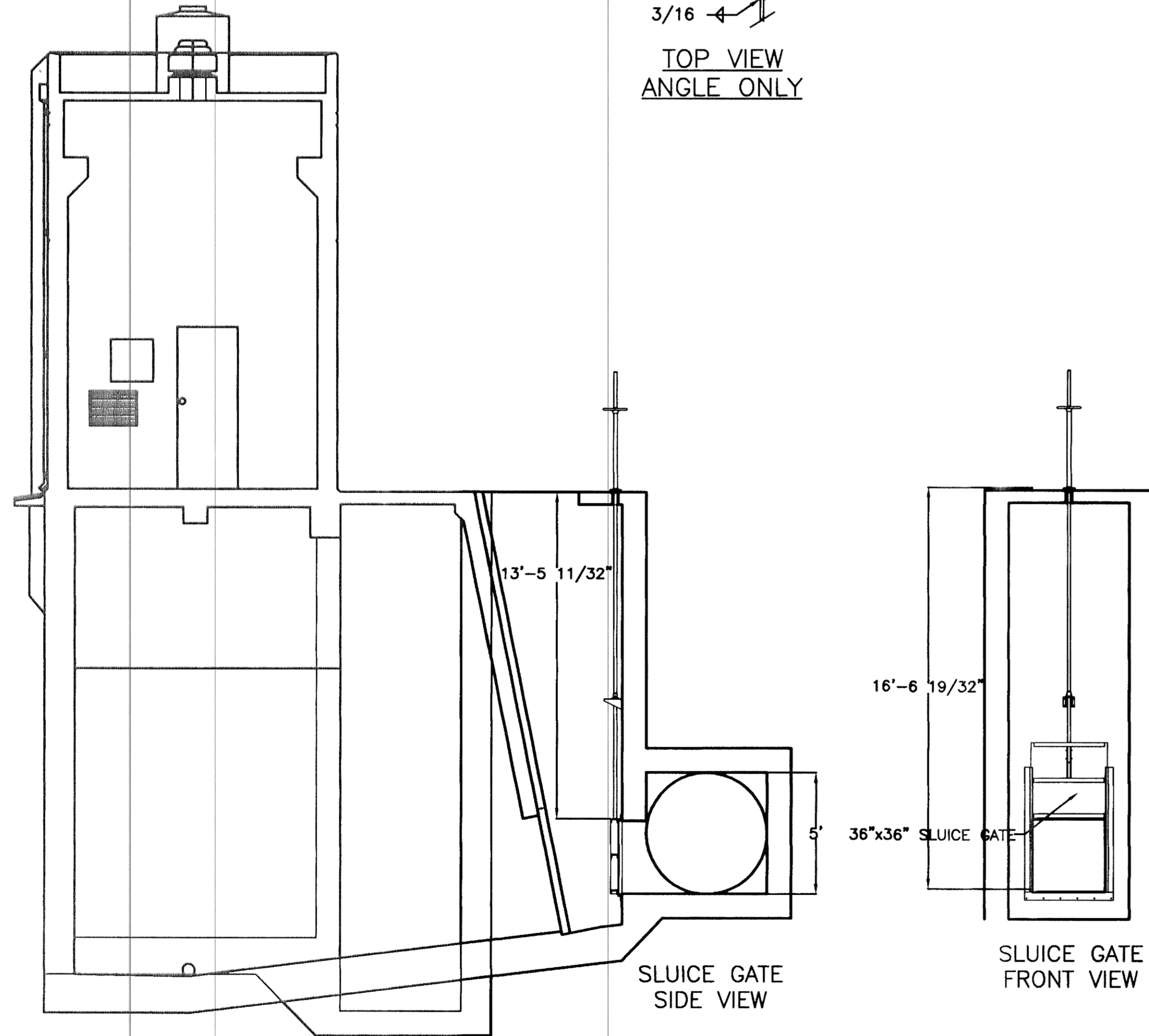
SIDE VIEW

FRONT VIEW

ALL BOLTS A325

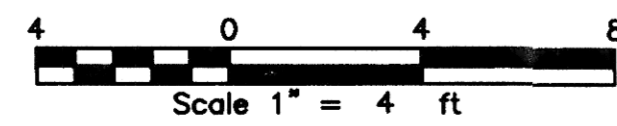


TOP VIEW  
ANGLE ONLY

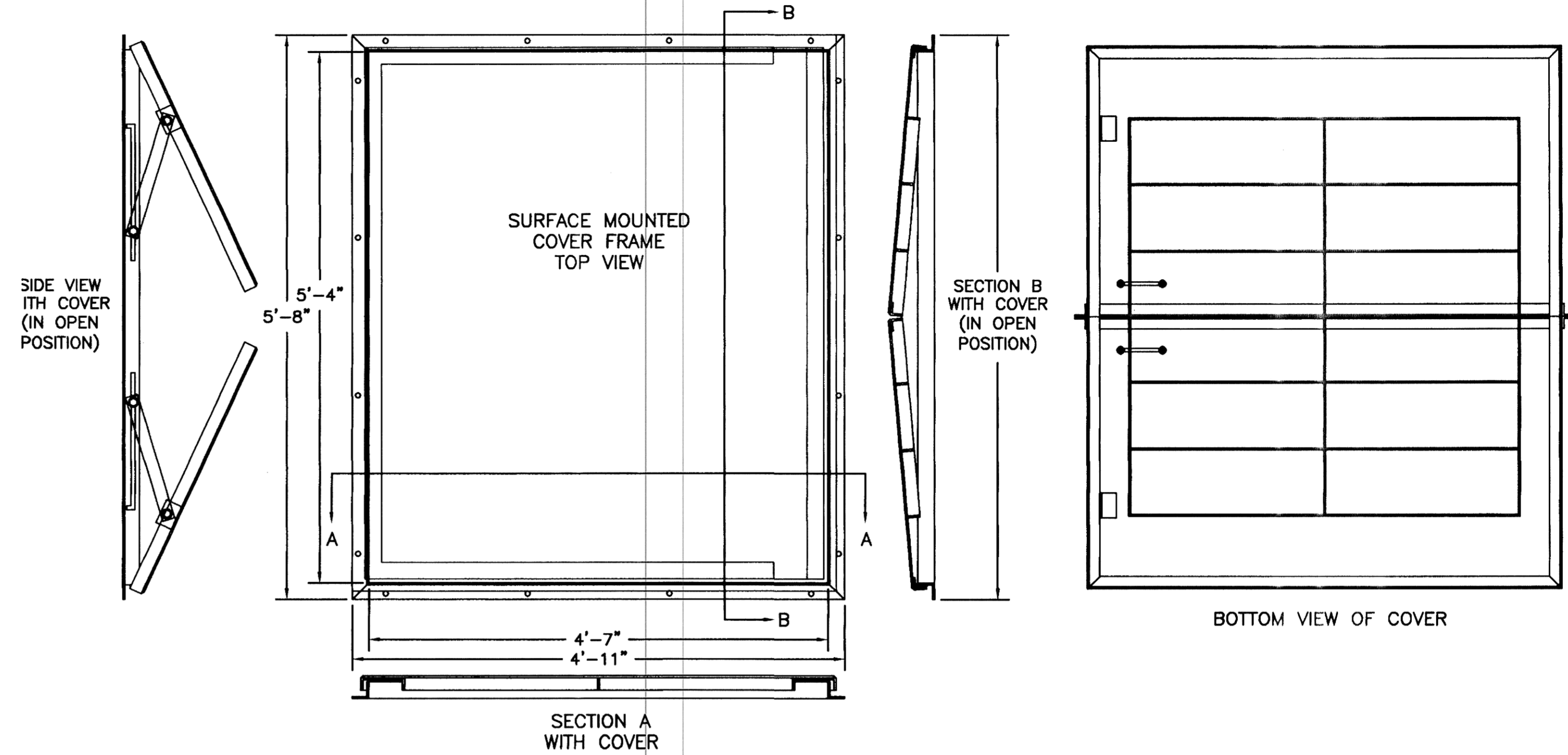


SLUICE GATE  
SIDE VIEW

SLUICE GATE  
FRONT VIEW



SLUICE GATE OPENING DOOR REPLACEMENT



SIDE VIEW  
WITH COVER  
(IN OPEN  
POSITION)

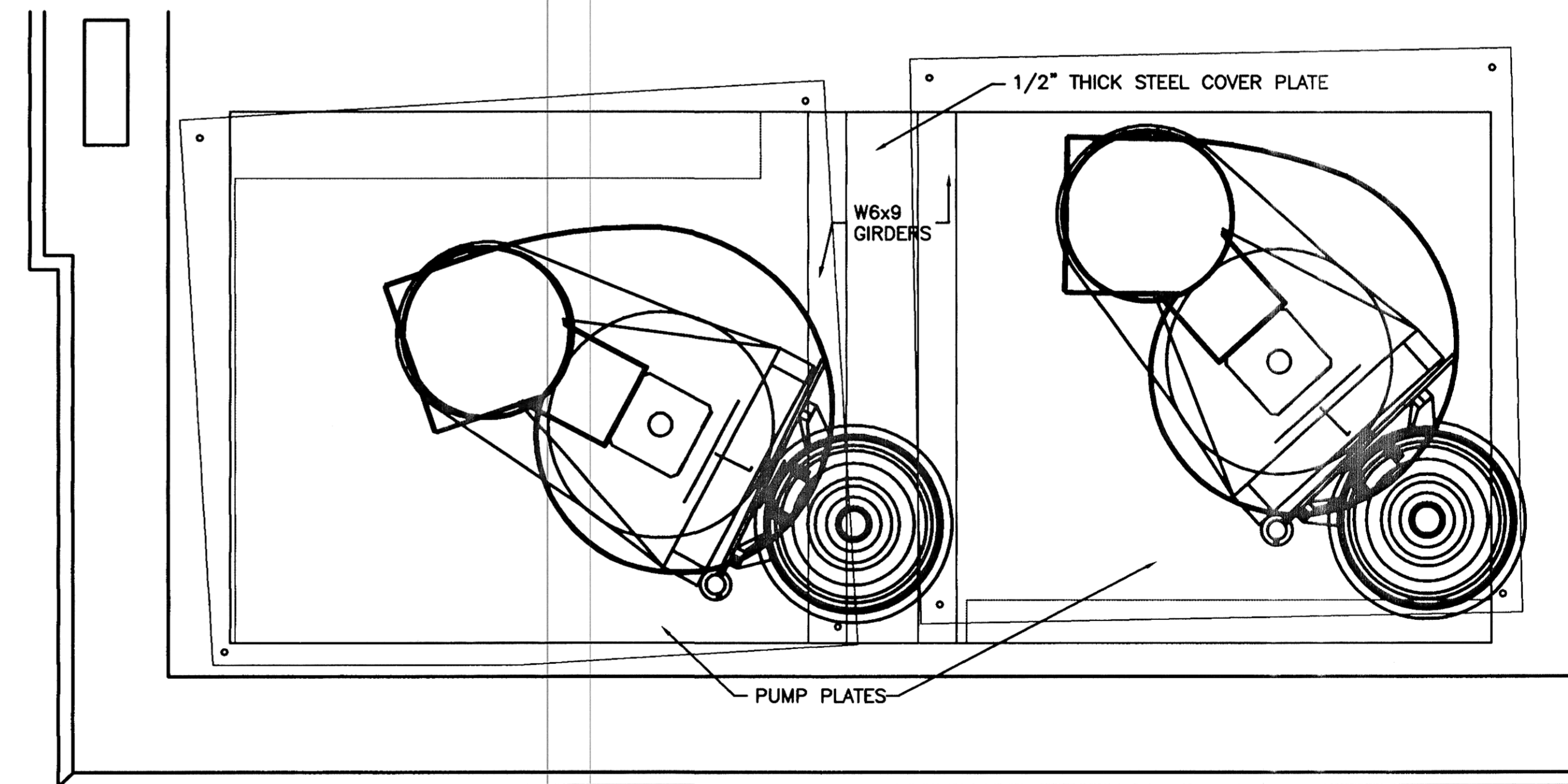
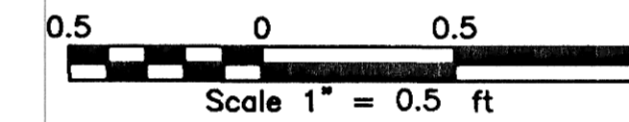
SURFACE MOUNTED  
COVER FRAME  
TOP VIEW

SECTION B  
WITH COVER  
(IN OPEN  
POSITION)

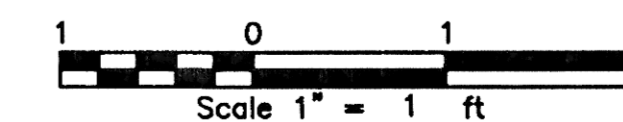
BOTTOM VIEW OF COVER

SECTION A  
WITH COVER

SILICONE BASED SEALANT USED BETWEEN  
THE BOTTOM OF THE FRAME AND  
THE EXISTING STRUCTURE



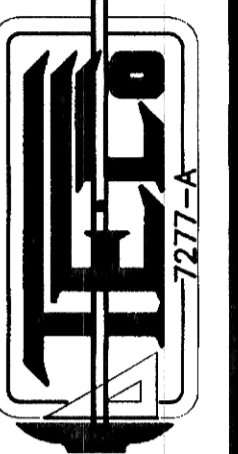
STRUCTURE FLOOR CUTOUTS  
AND GIRDER LOCATIONS



AVOID CUTTING  
UNDERGROUND UTILITY  
LINES IN YOUR AREA  
TWO WORKING DAYS  
BEFORE YOU DIG-DRILL-BLAST  
IN NORTH DAKOTA - CALL TOLL FREE  
1-800-795-0555  
UTILITY UNDERGROUND LOCATION CENTER



TOMAN ENGINEERING COMPANY  
CONSULTING CIVIL ENGINEERS  
908 2ND ST. N.W. • MANDAN, NORTH DAKOTA 58554 • 701-663-6463



PROJECT: STORM WATER PUMP REPLACEMENT  
PUMP CUTOUTS & SLUICE GATE DETAILS  
MANDAN, ND

NO.	REVISIONS	BY	DATE	APP'D BY	DATE

SHEET NUMBER

17

OF 17 SHEETS