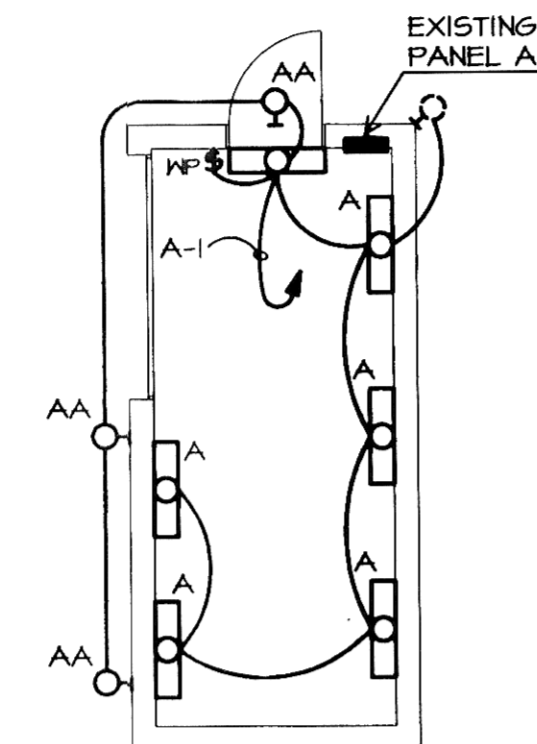
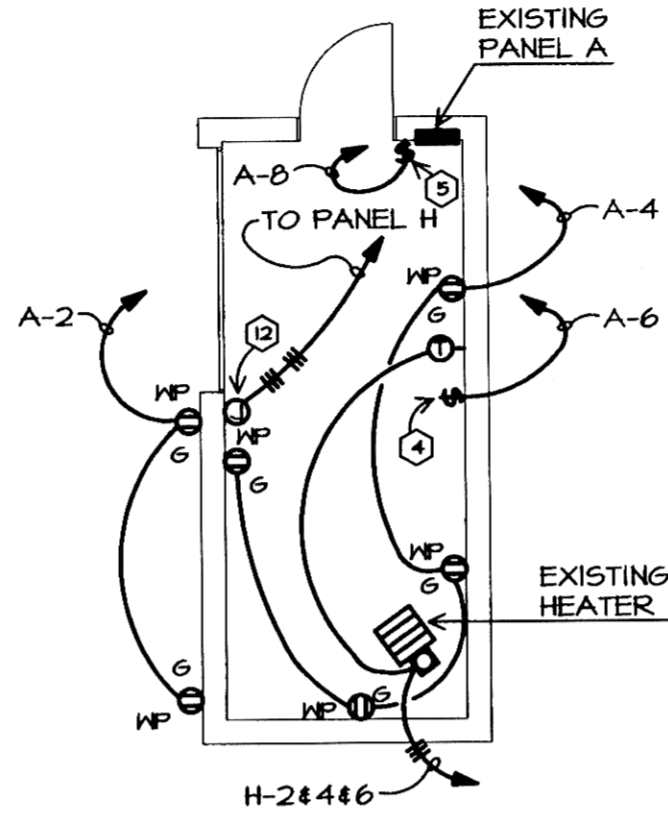


EXIST. OLD LIFT STATION -
MOTOR CONNECTIONS
SCALE: 1/4"=1'-0"
NORTH



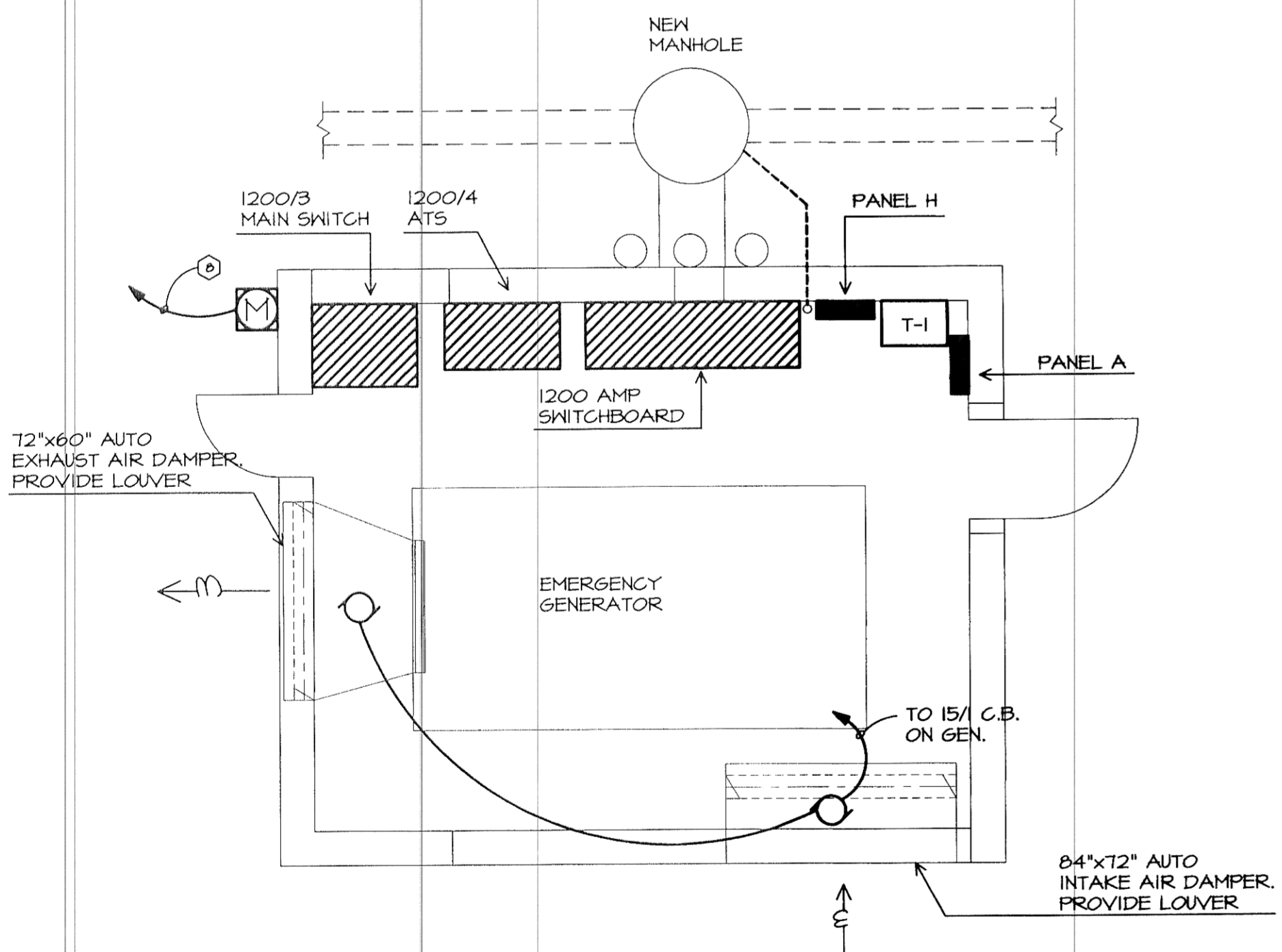
EXIST. OLD LIFT STATION -
LIGHTING
SCALE: 1/8"=1'-0"
NORTH



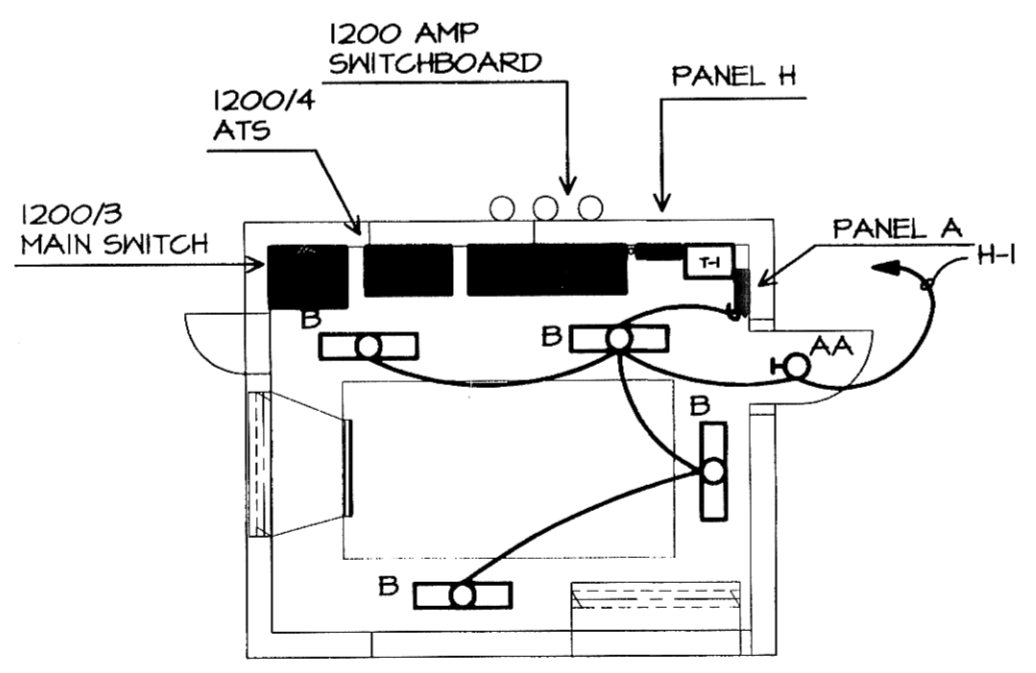
EXIST. OLD LIFT STATION -
ELECTRICAL
SCALE: 1/8"=1'-0"
NORTH

PLAN NOTES

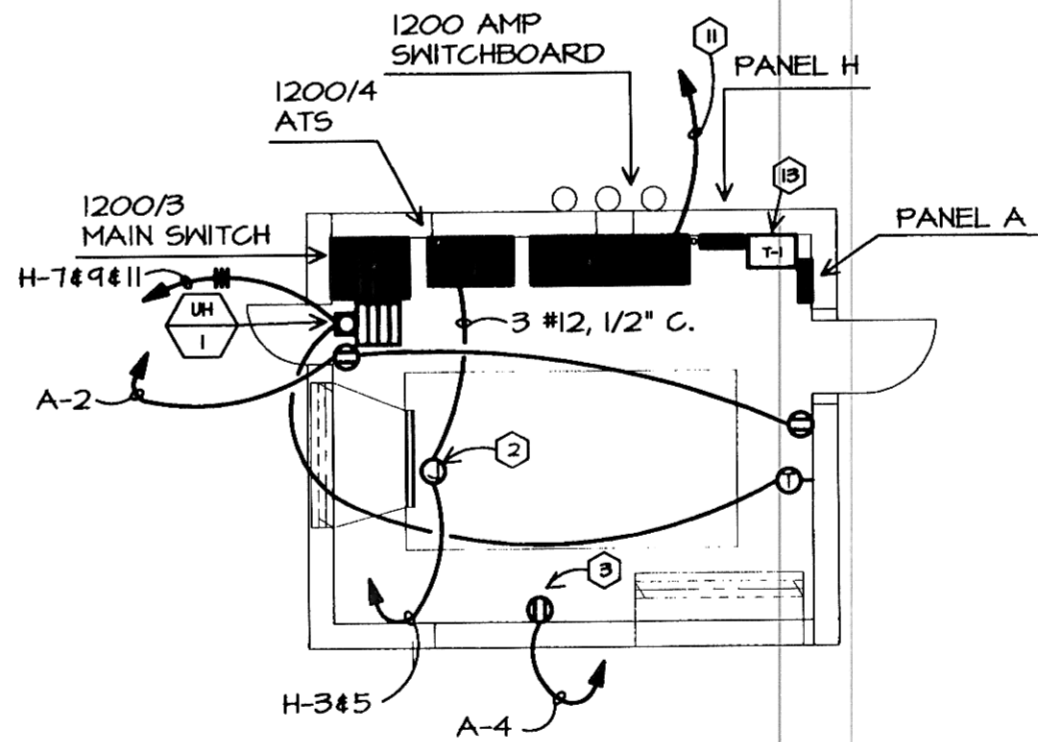
- 1 PROVIDE W.P. JUNCTION BOX TO TERMINATE 2-#4 & 1-2" CONDUIT FROM EXISTING DUCT BANK.
- 2 CONNECT 6KW ENGINE HEATER.
- 3 RECEPTACLE FOR BATTERY CHARGER. VERIFY LOCATION.
- 4 CONNECT EXISTING LOWER LEVEL EXHAUST FAN. PROVIDE NEW MANUAL STARTER WITH PILOT.
- 5 CONNECT EXISTING UPPER LEVEL EXHAUST FAN.
- 6 2 - EXISTING 300/3 MAIN SWITCHES TO REMAIN TEMPORARILY. PROVIDE MOUNTING BRACKET AND W.P. ENCLOSURE SUITABLE TO AUTHORITY HAVING JURISDICTION.
- 7 EXISTING AT5 TO REMAIN TEMPORARILY. PROVIDE W.P. ENCLOSURE SUITABLE TO AUTHORITY HAVING JURISDICTION.
- 8 1" C. TO TRANSFORMER.
- 9 PROVIDE 10 #12, 1" C. CONNECT ALARMS AS DIRECTED BY ENGINEER.
- 10 2 #12, 1/2" C. TO AT5 FOR SEQUENCING.
- 11 6 #12, 3/4" C. TO EXISTING TELEMETRY PANEL TO INDICATE NORMAL POWER OR NORMAL POWER OUTAGE.
- 12 PROVIDE 4" SQUARE BOX AT 48" FOR FUTURE WIRING.
- 13 MOUNT TRANSFORMER ON WALL.



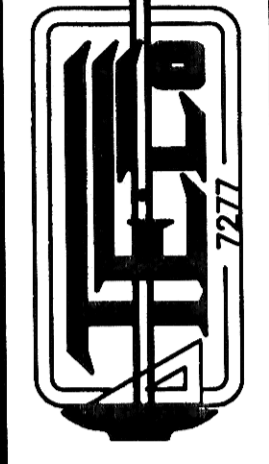
NEW GENERATOR BUILDING -
GENERATOR VENTILATION
SCALE: 1/8"=1'-0"
NORTH



NEW GENERATOR BUILDING -
LIGHTING
SCALE: 1/8"=1'-0"
NORTH



NEW GENERATOR BUILDING -
ELECTRICAL
SCALE: 1/8"=1'-0"
NORTH



NO.	BY	DATE	REVISIONS	DESIGNED BY	CHECKED BY	DATE