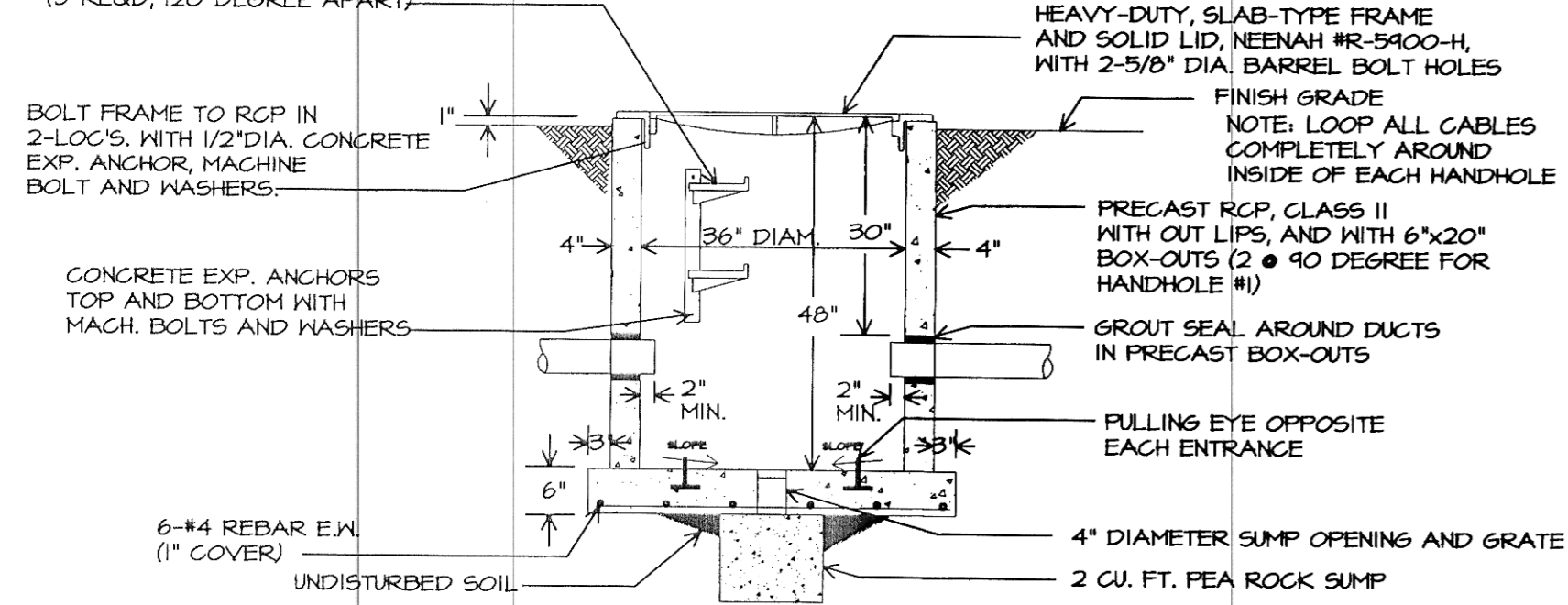
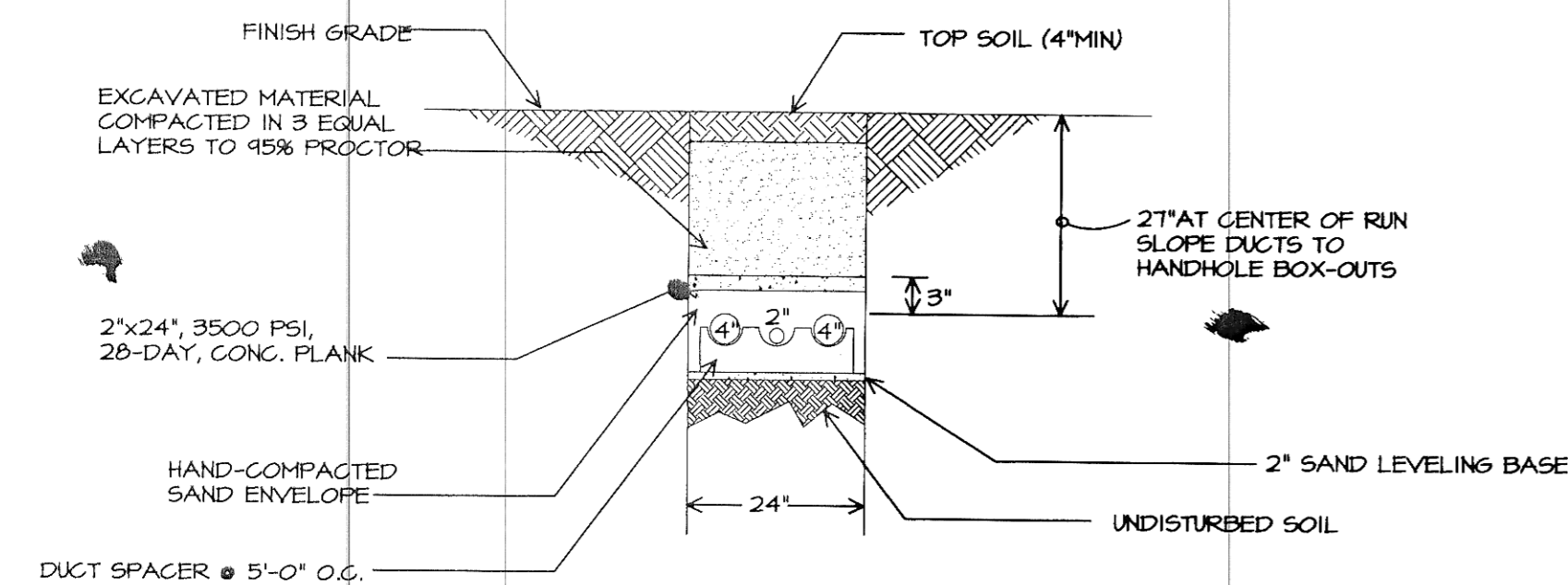


UNDERGROUND DEVICES INC.
NYLON CABLE RACK #CR3IN,
ARMS #RAION, & SUPPORT
BRACKET, #5BION, OR EQUAL
(3-REGD, 120 DEGREE APART)



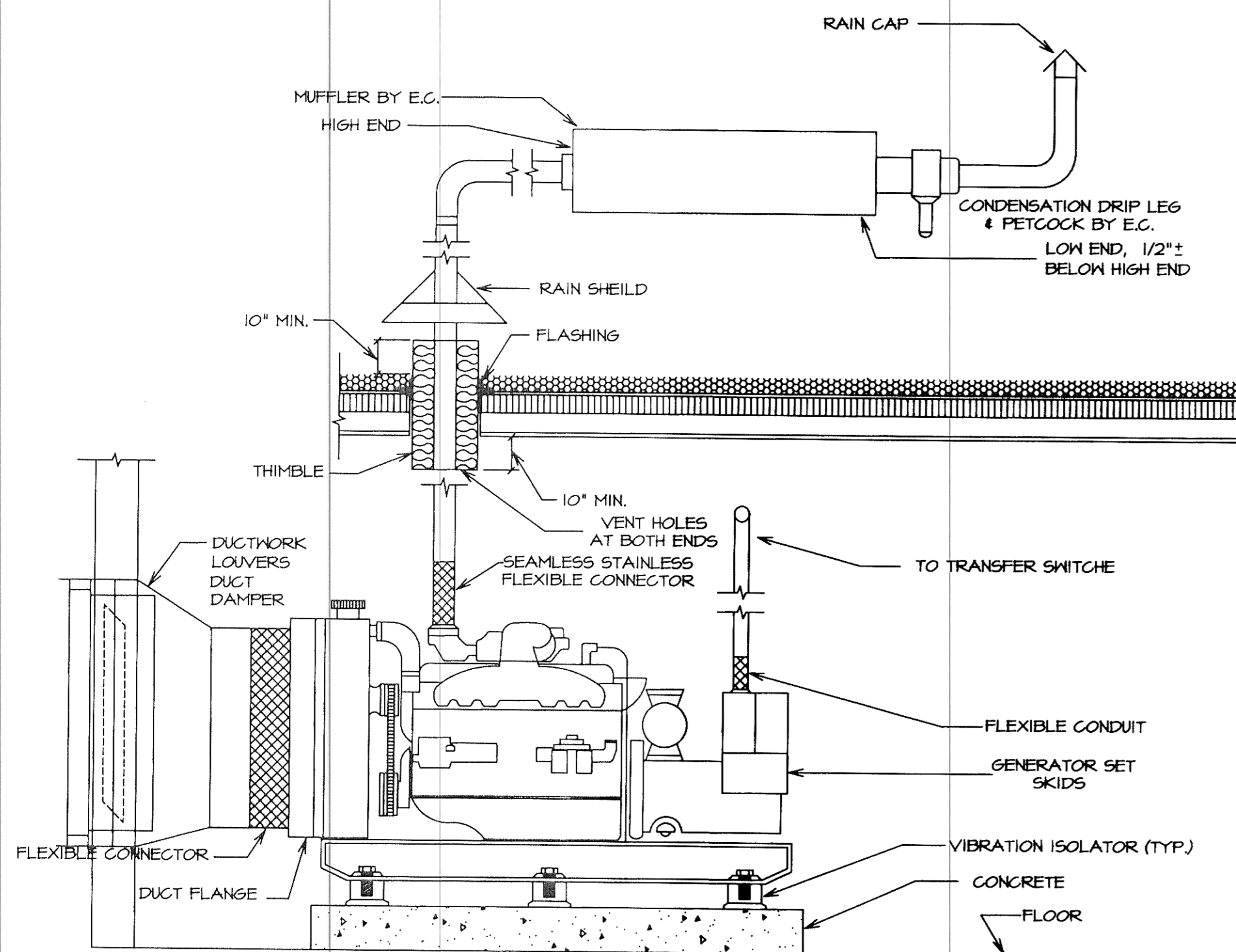
HANDHOLE DETAIL
NO SCALE

1
E-3



SECTION A-A TRENCH/DUCT DETAIL
NO SCALE

2
E-3



EMERGENCY GENERATOR & EXHAUST PIPING DETAIL
NO SCALE (ALL ITEM BY E.C. UNLESS OTHERWISE NOTED)

3
E-3

MOTOR NO.	EQUIPMENT DRIVEN	POWER				LOCATION		CONTROLLER				CONTROLS				REMARKS									
		HORSEPOWER	KVA	VOLTAJE	CIRCUIT	WIRE	MOTOR	CONTROLLER	DISCONNECT	CONTROLS	TOGGLE SWITCH	MAN STARTER	STARTER SIZE	PILOT LIGHT	AUX CONTACTS		DISCONNECT BY	DISC. CATALOG NO.	ABX/STAT	FLOY SWITCH	FLE SWITCH	FREES SWITCH	THERM/STAT	INTERLOCK WITH	
1	STORM PUMP	150		480 3	5WBD	3#250MCM							X	X	EC	EC									NOTE #1
2	STORM PUMP	150		480 3	5WBD	3#20MCC							X	X	EC	EC									NOTE #1
3	SANITATION PUMP	75		480 3	5WBD	3#1/0							X	X	EC	EC									NOTE #2
4	GATE SLIDE MOTOR	1		480 3	H-20422424	3#12							X	X	EC	EC									

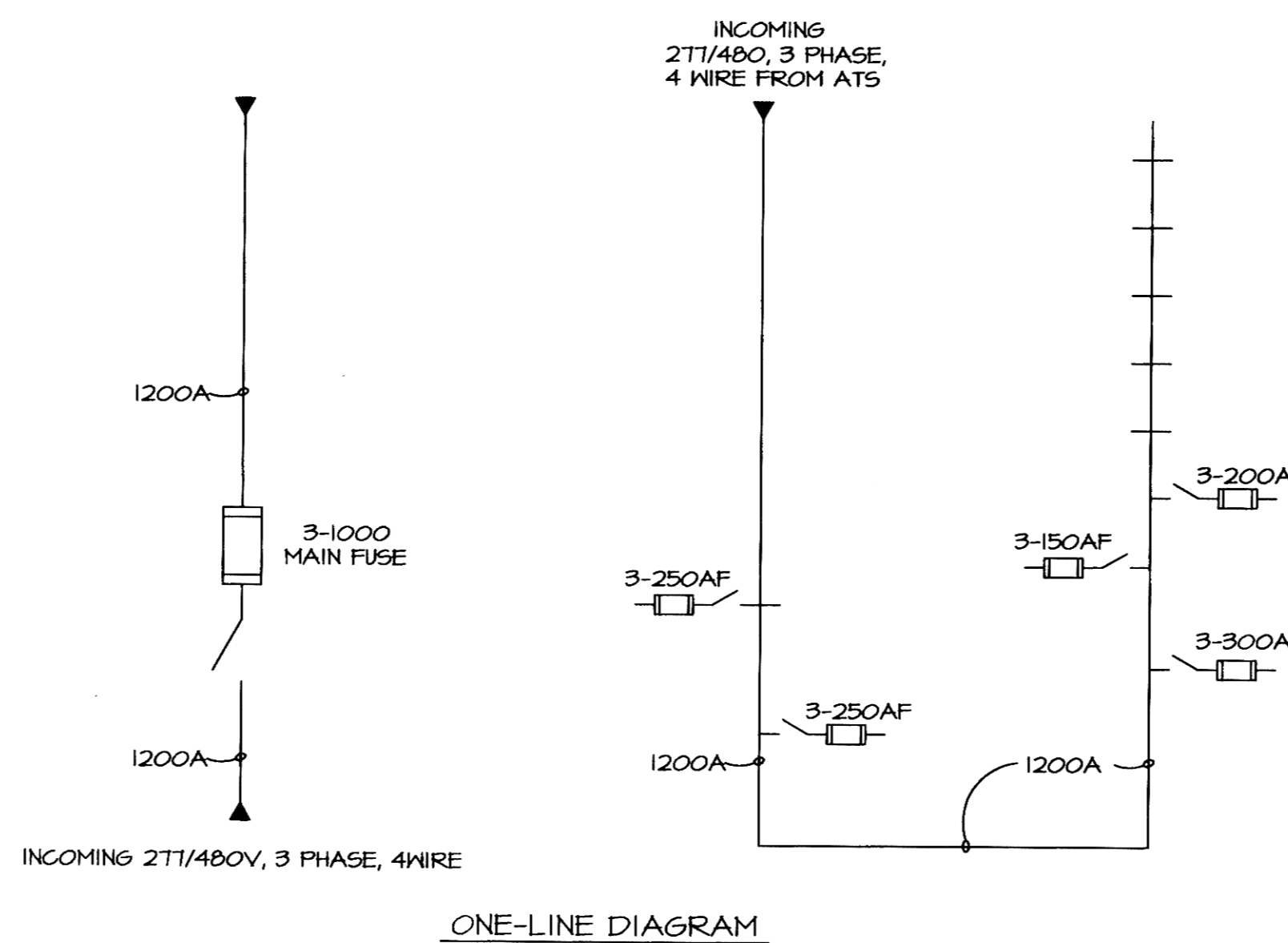
NOTE: 1. PROVIDE SOFT START STARTER WITH DISCONNECT.
2. REUSE EXISTING SOFT START STARTER. PROVIDE NEW DISCONNECT.

FIXTURE SCHEDULE						
TYPE	MANUFACTURER	CATALOG NO.	LAMPS	MOUNTING	VOLTAGE	REMARKS
A	COLUMBIA	LUN4232EBB	2-F32T8	WALL	120	
B	COLUMBIA	KL4-392-PRST EBB	2-F32T8	CEILING	227	
E	DUAL LITE	LM80-12-J	INCLUDED	WALL	227	
AA	G.E.	5BF10SCHPE	1-H1000	WALL	120	

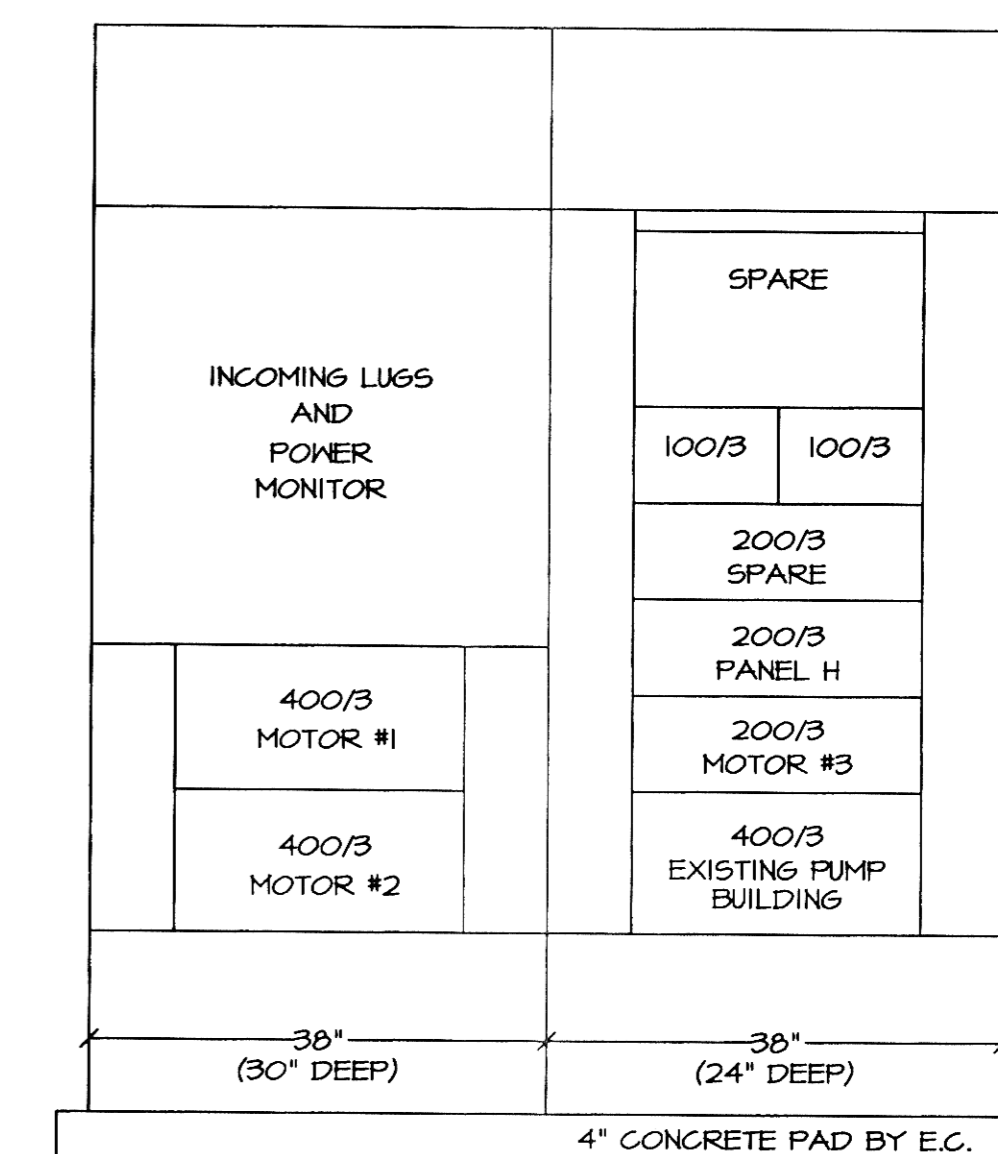
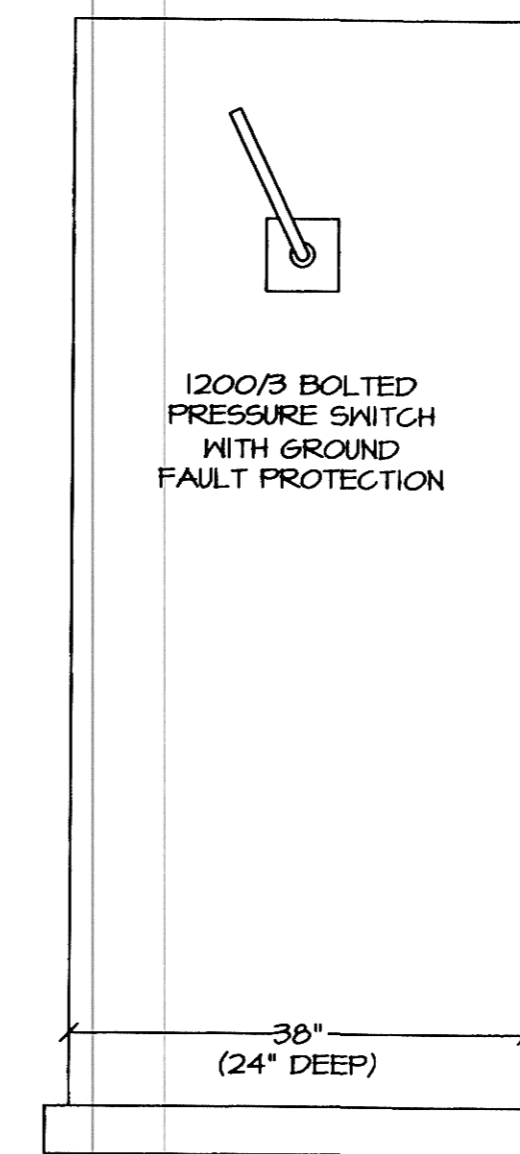
TRANSFORMER SCHEDULE					
NUMBER	KVA	PRIMARY	SECONDARY	LOCATION	REMARKS
T-1	25	480V, 3Ø, 3W	120/208V, 3Ø, 4W	--	--

PANEL H		TYPE NF		SHORT CIRCUIT RATING 14,000		RMS SYM AMPS	
MOUNTING SURFACE		200 AMP MCB		SERVICE 277/480V, 3Ø, 4W			
LOAD		P	PH	LOAD		LOAD	
LIGHTS	1	20	A	2			
ENGINE HEATER	2	20	B	4	20	3	ELECTRIC HEAT
SPARE				5	C	6	
SPARE	1	20	A	8			
SPARE	1	20	A	10	20	3	ELECTRIC HEAT
SPARE				11	C	12	
SPARE				13	A	14	
SPARE				15	B	16	T-1
SPARE				17	C	18	
SPARE				19	A	20	
SPARE				21	B	22	M#4
SPARE				23	C	24	
SPARE				25	A	26	SPACE
SPARE				27	B	28	SPACE
SPARE				29	C	30	SPACE

PANEL A		TYPE NQ00		SHORT CIRCUIT RATING 10,000		RMS SYM AMPS	
MOUNTING SURFACE		150 AMP MCB		SERVICE 120/240, 3Ø, 4W			
LOAD		P	PH	LOAD		LOAD	
LIGHTS	1	20	A	2	20	1	RECEPTACLE
ENGINE HEATER	2	20	B	4	20	1	BATTERY CHARGER
SPARE				5	C	6	SPARE
EXISTING PNL B	1	20	A	8	20	1	SPARE
SPARE				10	20	1	ELECTRIC HEAT
SPARE				11	C	12	SPACE
SPARE				13	A	14	SPACE
SPARE				15	B	16	SPACE
SPARE				17	C	18	SPACE
SPARE				19	A	20	SPACE
SPARE				21	B	22	SPACE
SPARE				23	C	24	SPACE



ONE-LINE DIAGRAM



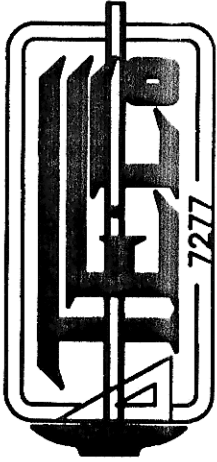
ELEVATION

SWITCHBOARD
NO SCALE

4
E-3



TOMAN ENGINEERING COMPANY
CONSULTING CIVIL ENGINEERS
908 2ND ST. N.W. • MINNAPOLIS, NORTH DAKOTA 58505 • 701-463-8443



PROJECT: STANDBY GENERATOR & BUILDING REPL.
STORM WATER PUMP REPLACEMENT
SCHEDULES & DETAILS

BY	DATE	REVISIONS

NO.	DATE	REVISIONS

SHEET NUMBER

E-3

OF 17 SHEETS