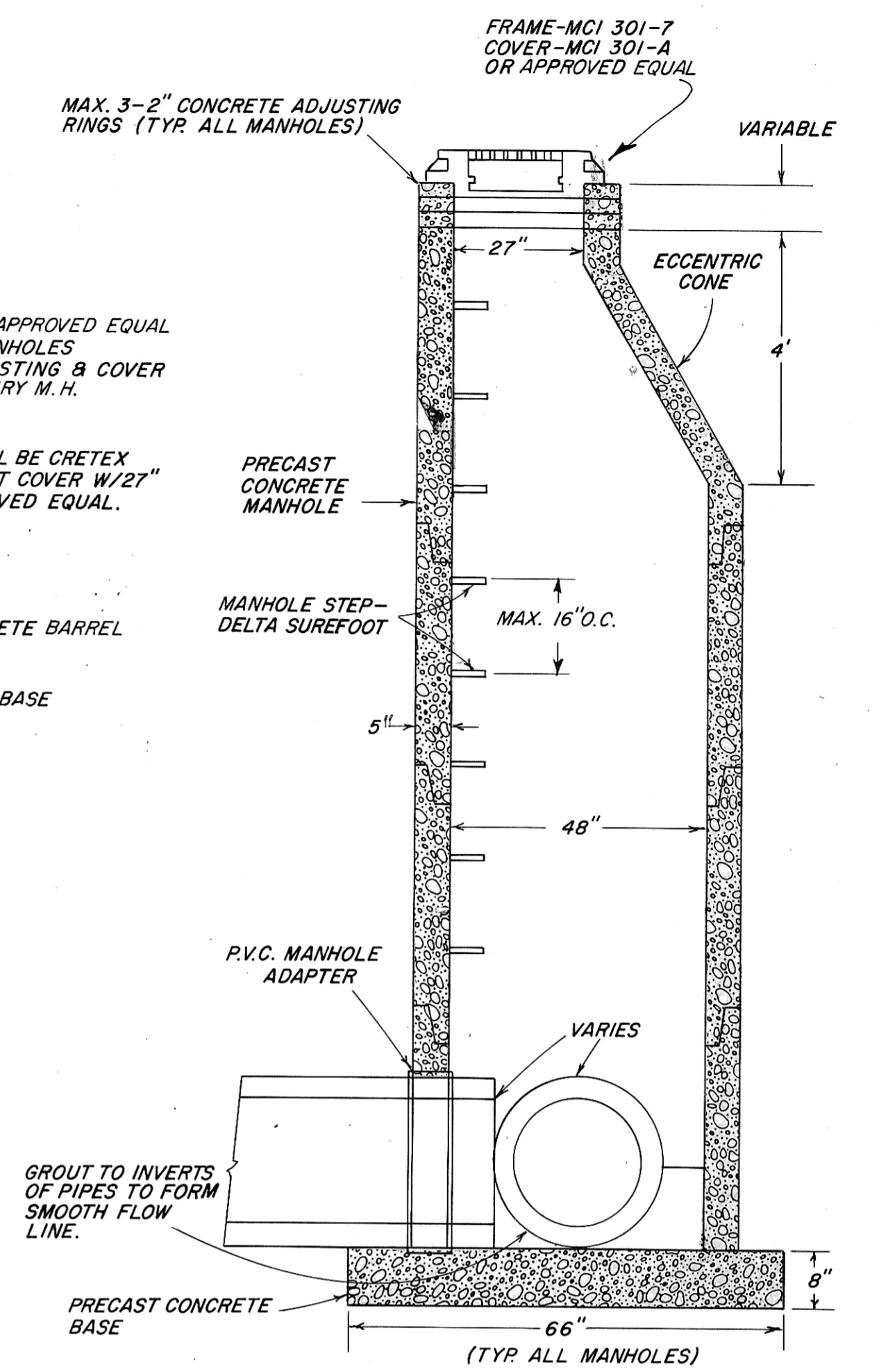
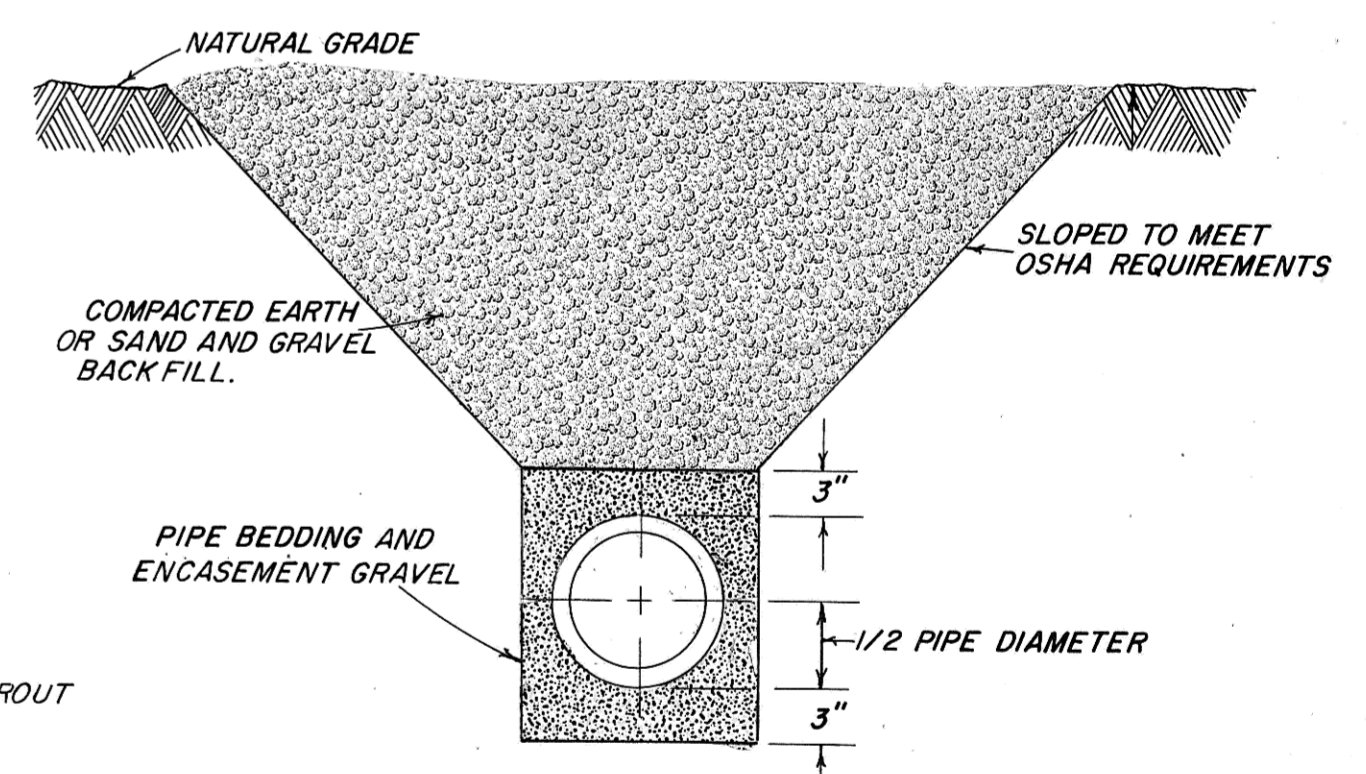
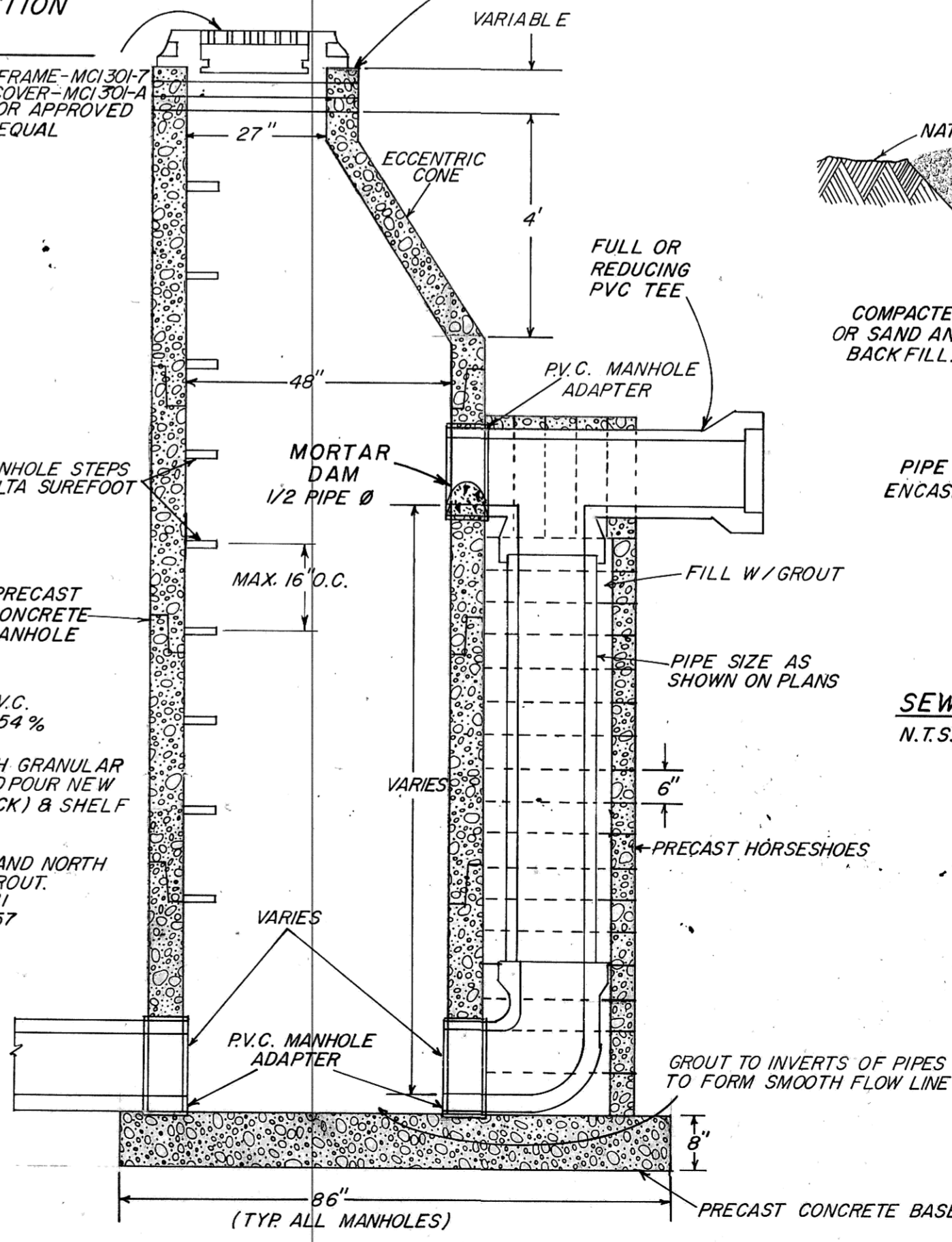
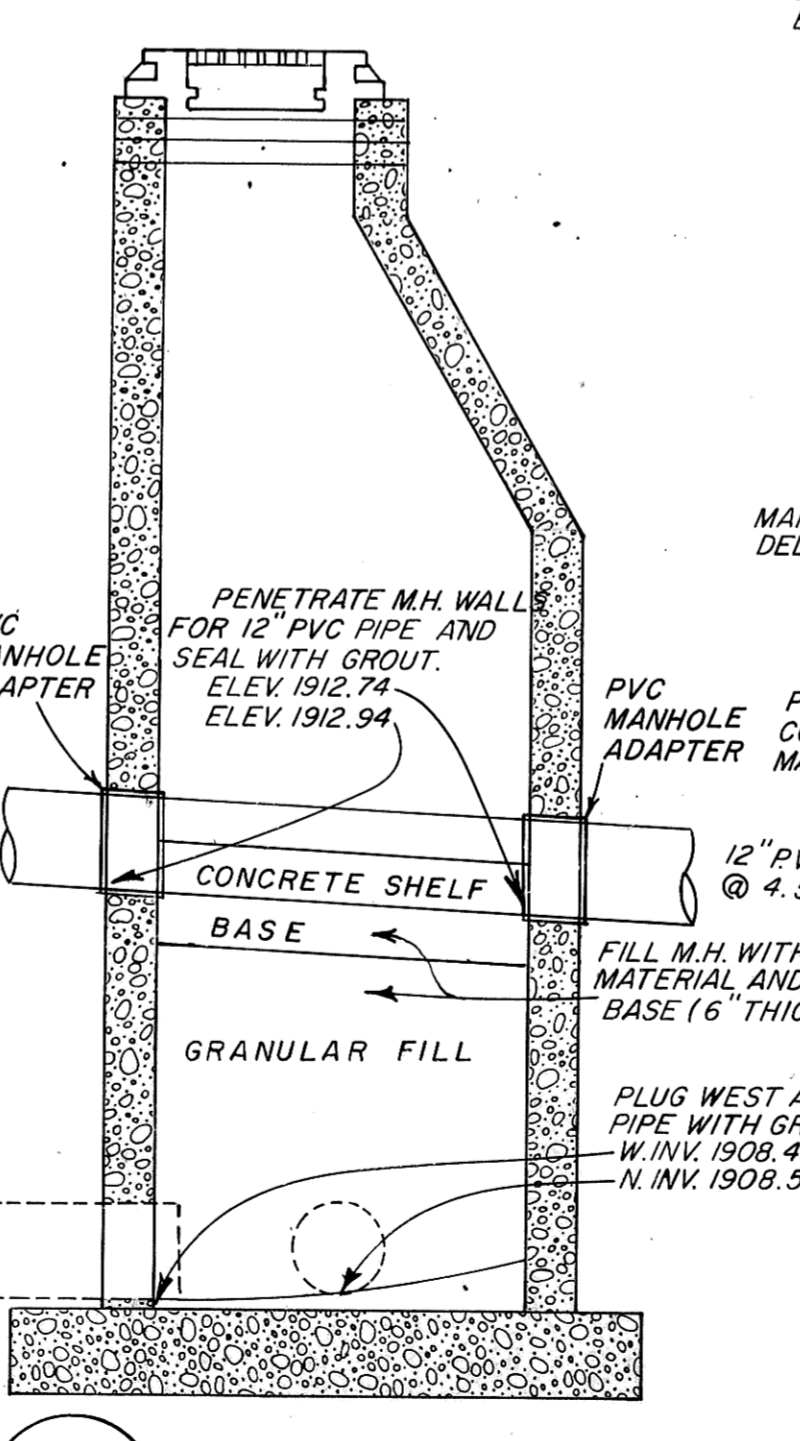
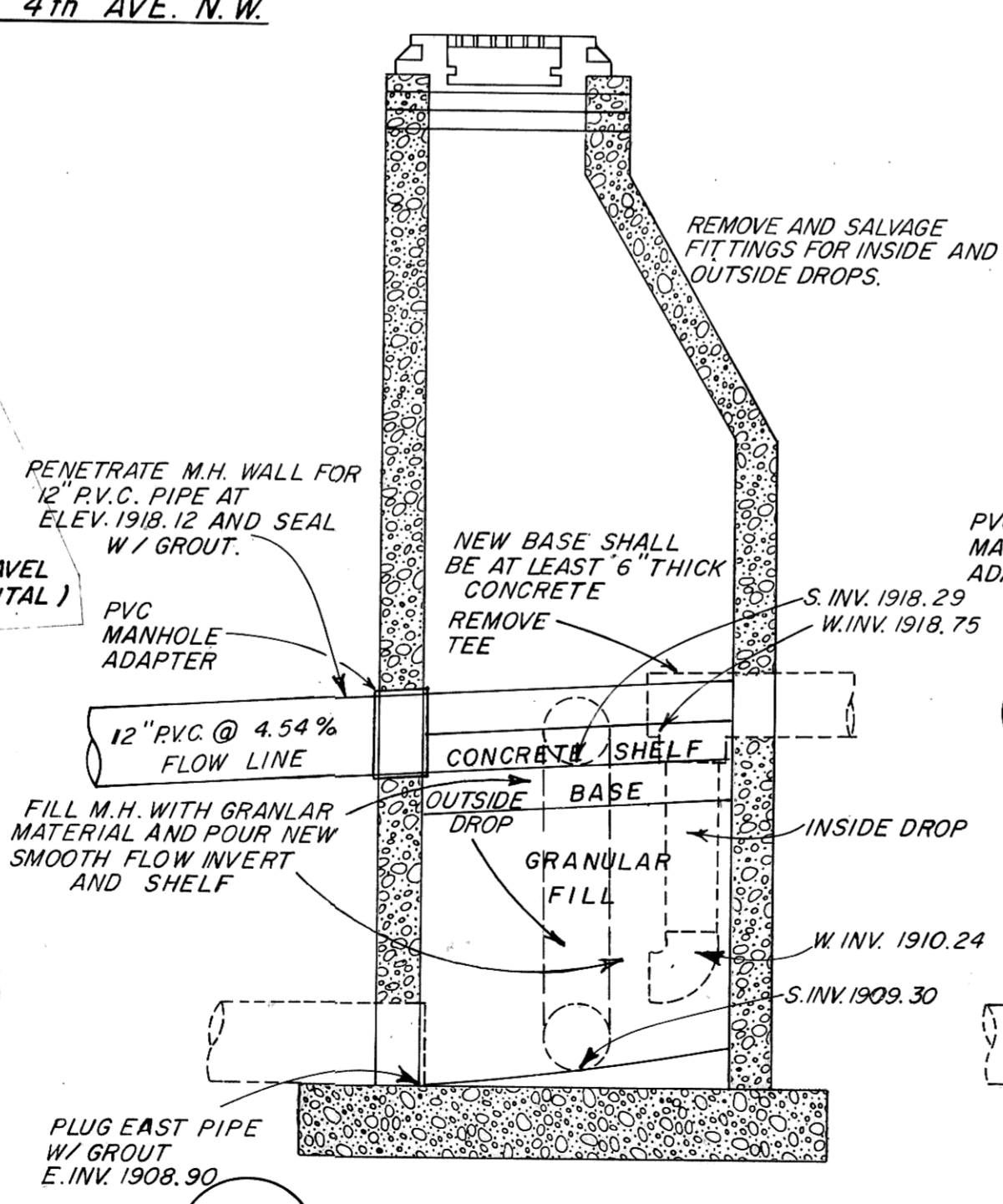
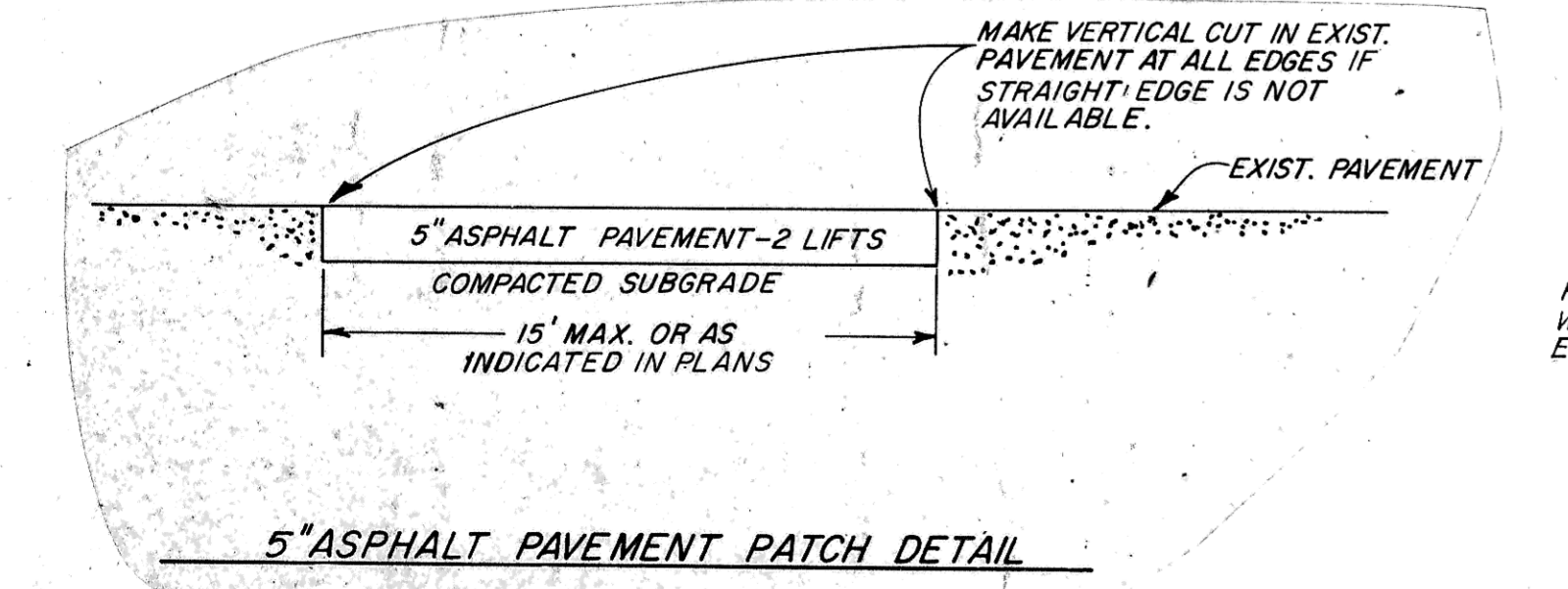
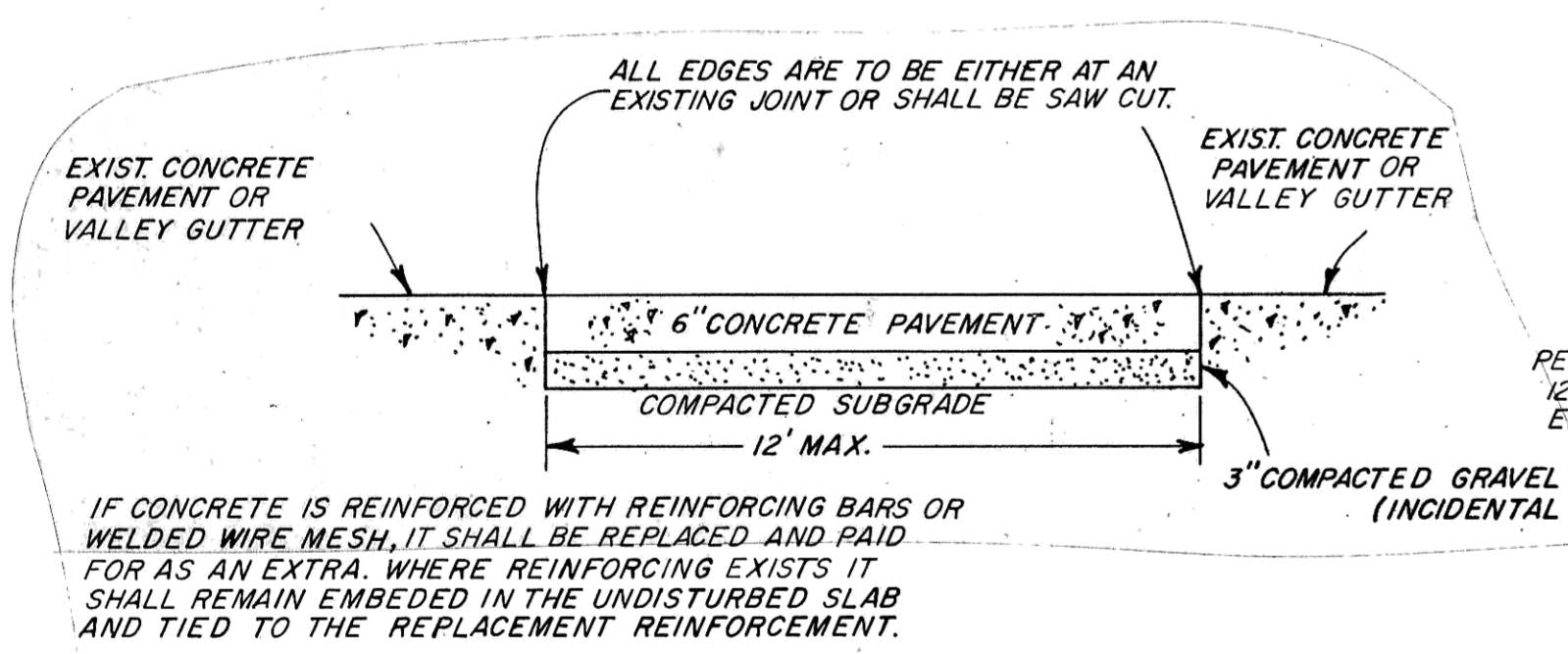


TYPE A, B, & C STORM MANHOLE
N.T.S.

STORM M.H.	A	B
TYPE A	4'-0"	5'-6"
TYPE B	5'-0"	7'-2"
TYPE C	6'-0"	8'-4"



1
19
REWORK M.H. "C" @ 4th AVE. N.W.
SEE SHEET 18



2
19
REWORK MANHOLE "A" OLD RED TRAIL
EXISTING M.H. STA.-(04.07) 23.5' LT. OLD RED TRAIL SHT. # 11

3
19
REWORK MANHOLE "B" OLD RED TRAIL
EXISTING M.H. STA. 14+00 @ OLD RED TRAIL SHT. # 11

AS CONSTRUCTED

PHASE I

REV.	DATE	DESCRIPTION	BY

MANDAN INTERCEPTOR 1983
MANDAN, NORTH DAKOTA

DETAIL SHEET

ULTEIG ENGINEERS, INC. CONSULTING ENGINEERS • ARCHITECT
160 • BISMARCK • MINNEAPOLIS

DRAWN BY: JR SCALE: NOT TO SCALE PROJECT NO. 4160.01
CHECKED BY: DATE: MARCH 1983 SHEET 19 of 19
APPROVED BY: [Signature]