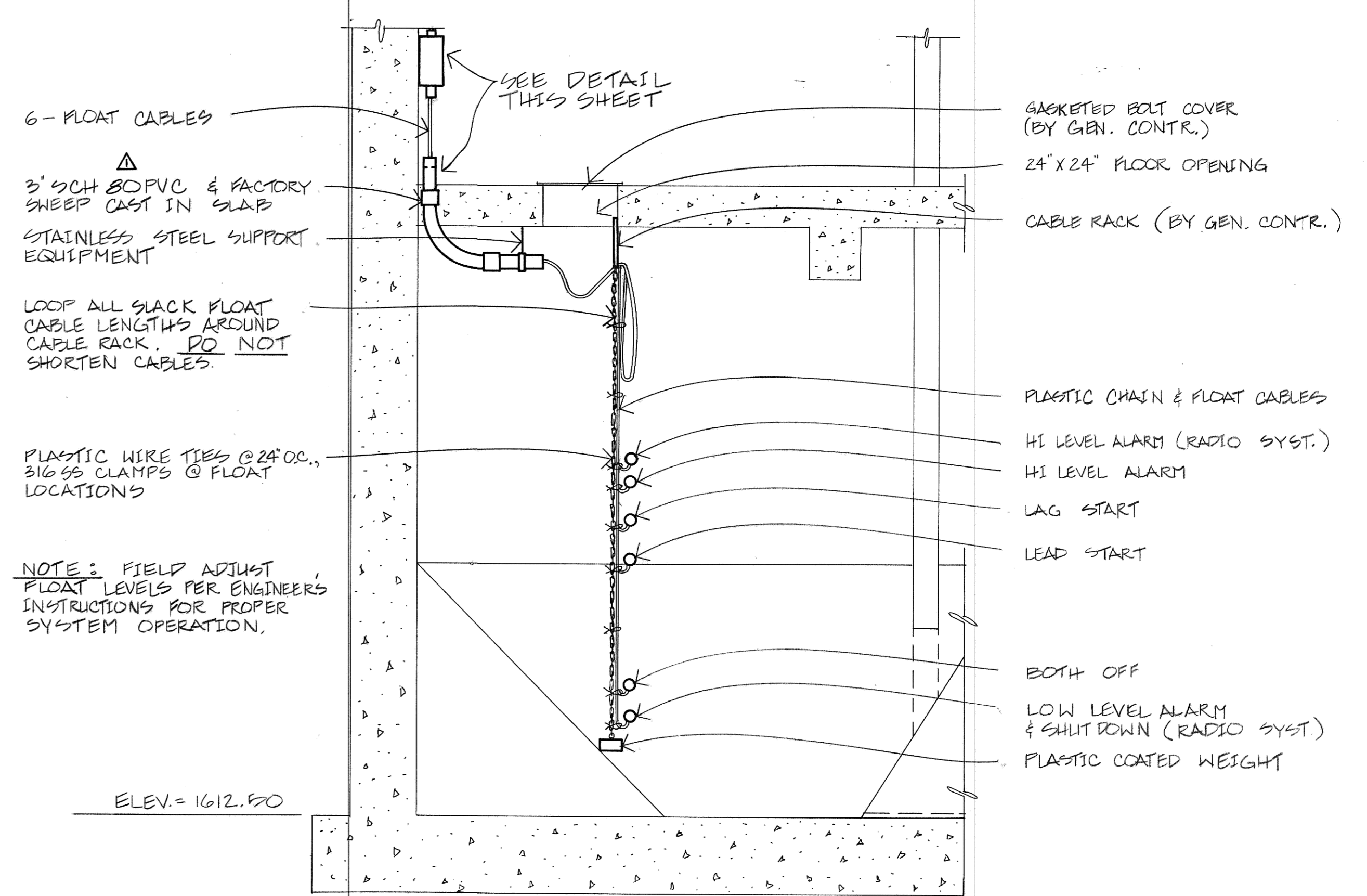
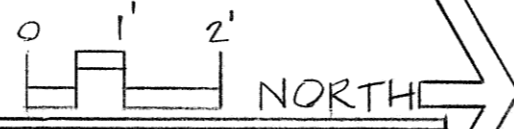
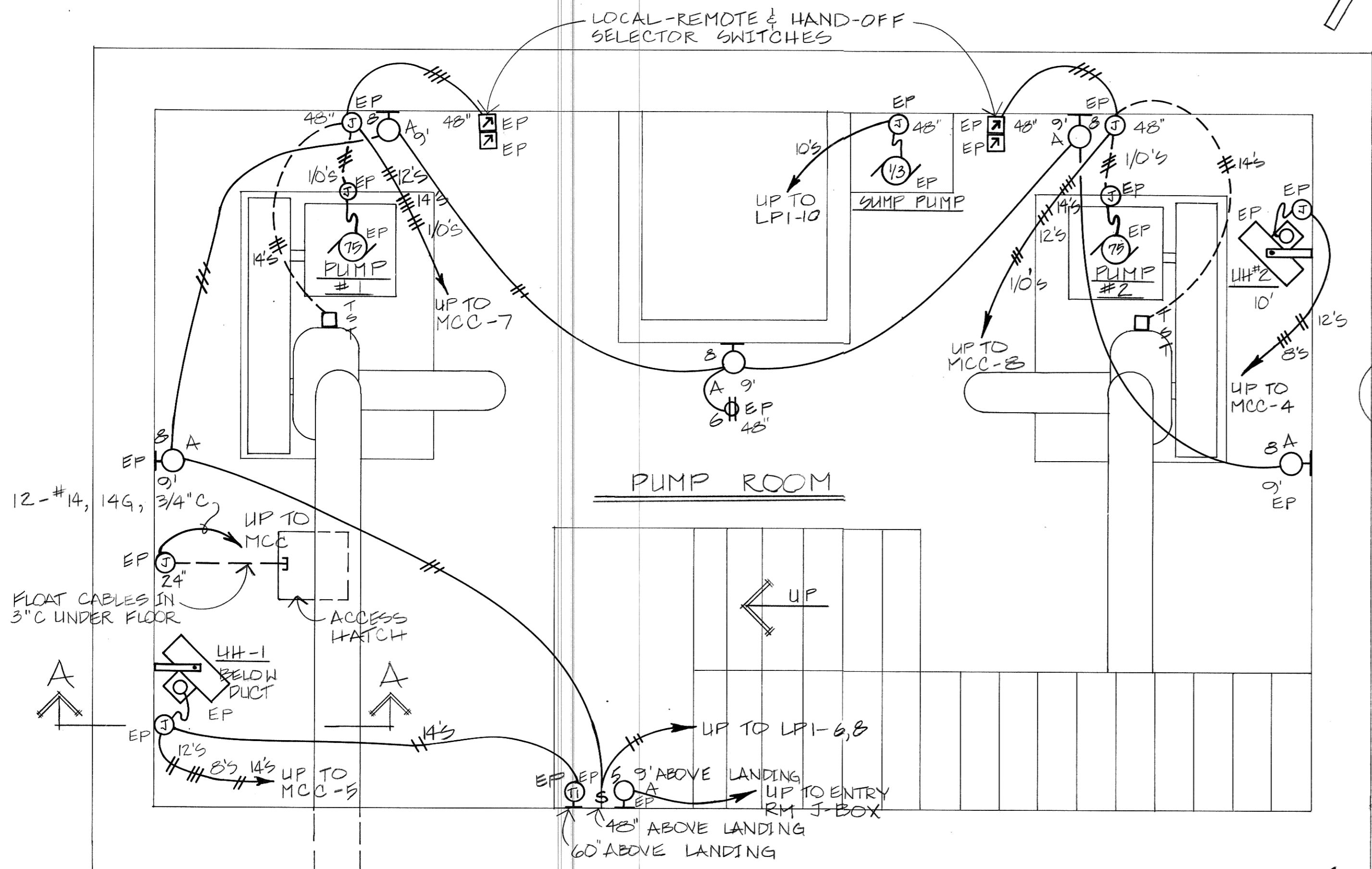
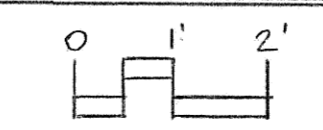


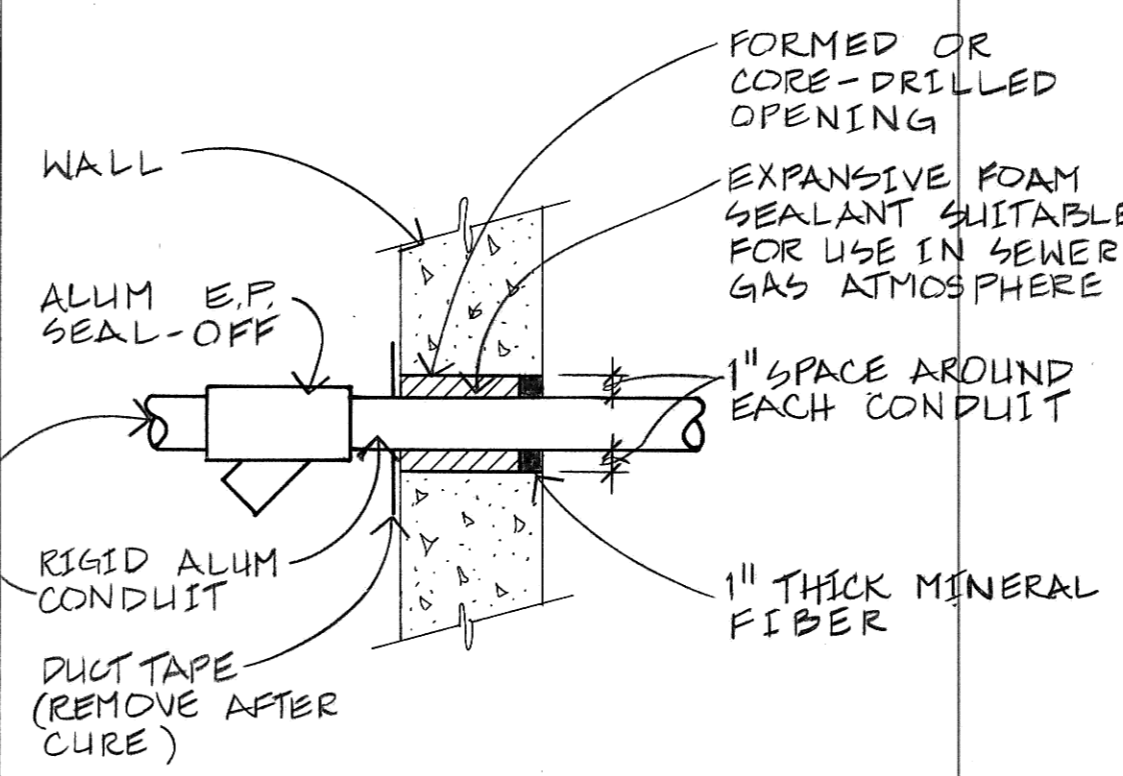
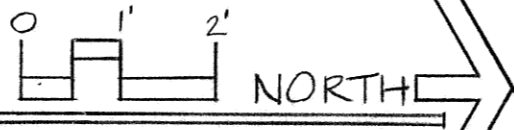
UPPER LEVEL - ELECTRICAL FLOOR PLAN



SECTION A-A



LOWER LEVEL - ELECTRICAL FLOOR PLAN

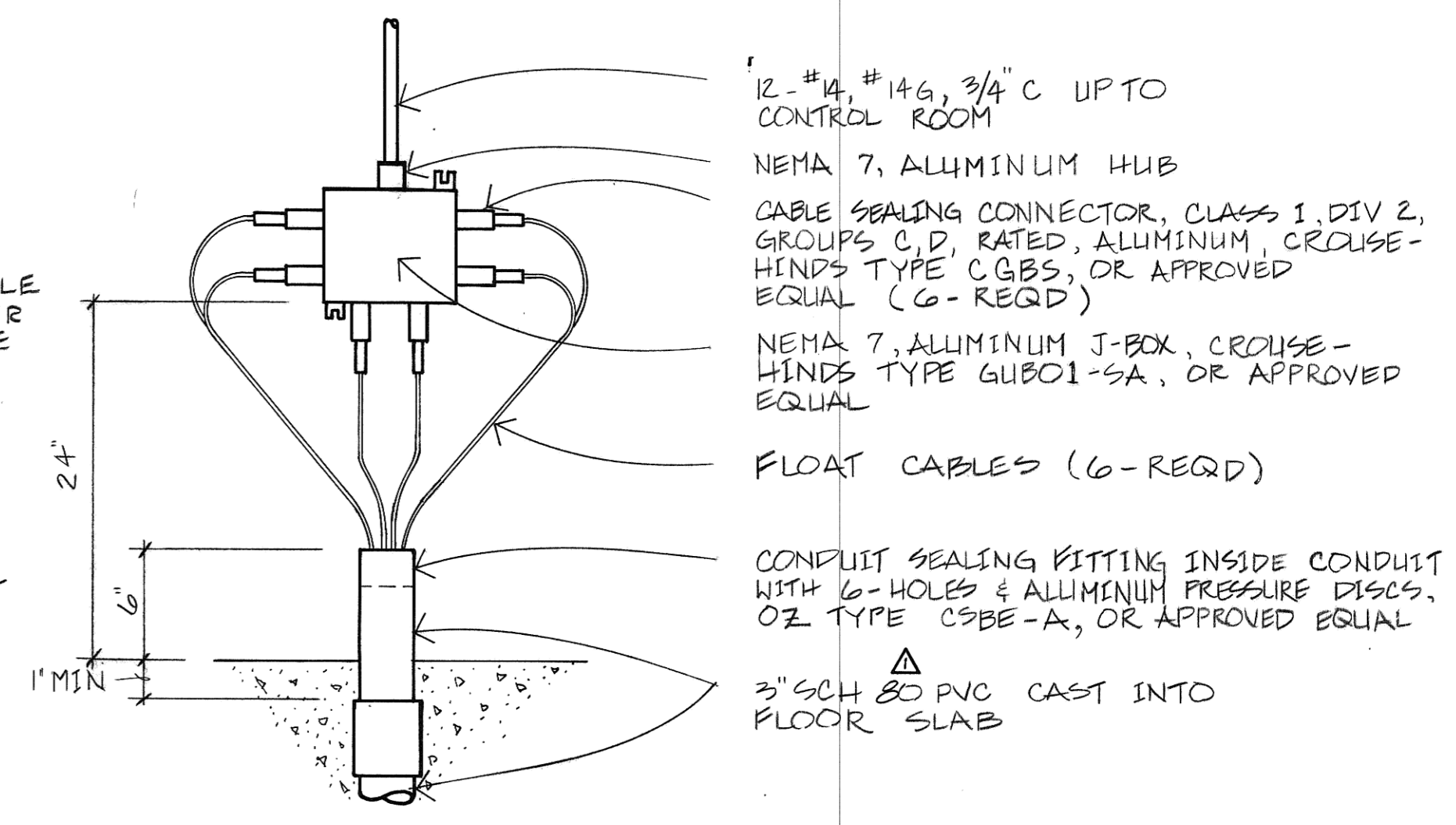


CONDUIT SEALING DETAIL

N.T.S.

NOTES:

- CONTROL ROOM UNCLASSIFIED LOCATION.
- REMAINDER OF BUILDING CLASSIFIED AS CLASS I, DIVISION 2, GROUP D HAZARDOUS LOCATION WITH CORROSIVE ATMOSPHERES.



FLOAT CABLE - JUNCTION BOX - DETAIL

N.T.S.

PHASE III

△			
△			
△			
REV.	DATE	DESCRIPTION	BY
	9/27/84	APPENDUM NO. 1	BRJ
MANDAN INTERCEPTOR 1984			
MANDAN, NORTH DAKOTA			
MASTER PUMPING STATION			
ELECTRICAL FLOOR PLAN			
ULTEIG ENGINEERS, INC. CONSULTING ENGINEERS • ARCHITECT			
FARGO • BISMARCK • MINNEAPOLIS			
DRAWN BY: BRJ	SCALE: AS SHOWN	PROJECT NO. 4241.00	
CHECKED BY: DJJ	DATE: MAY 1984		
APPROVED BY: DJJ			



Record Drawing

