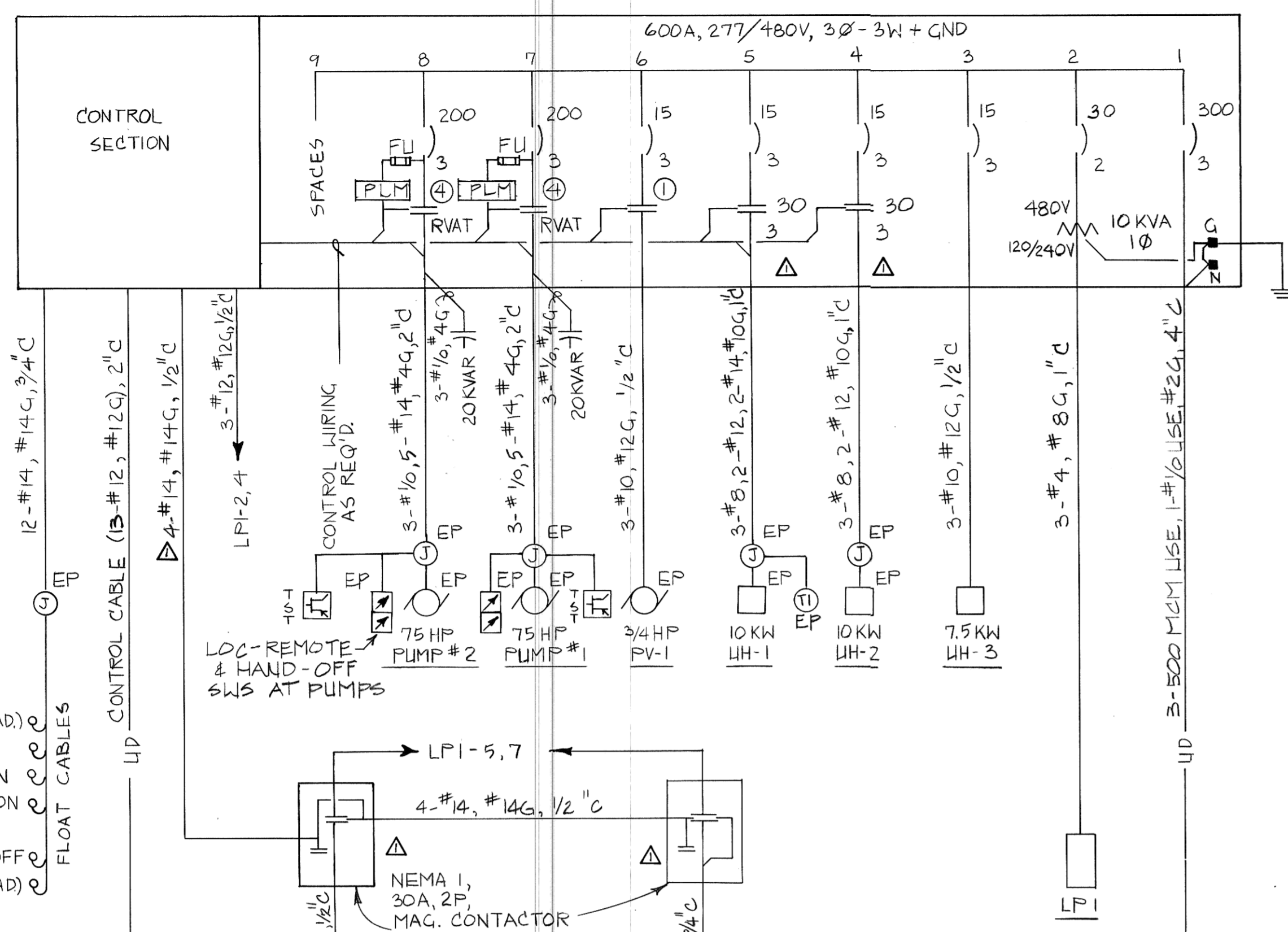
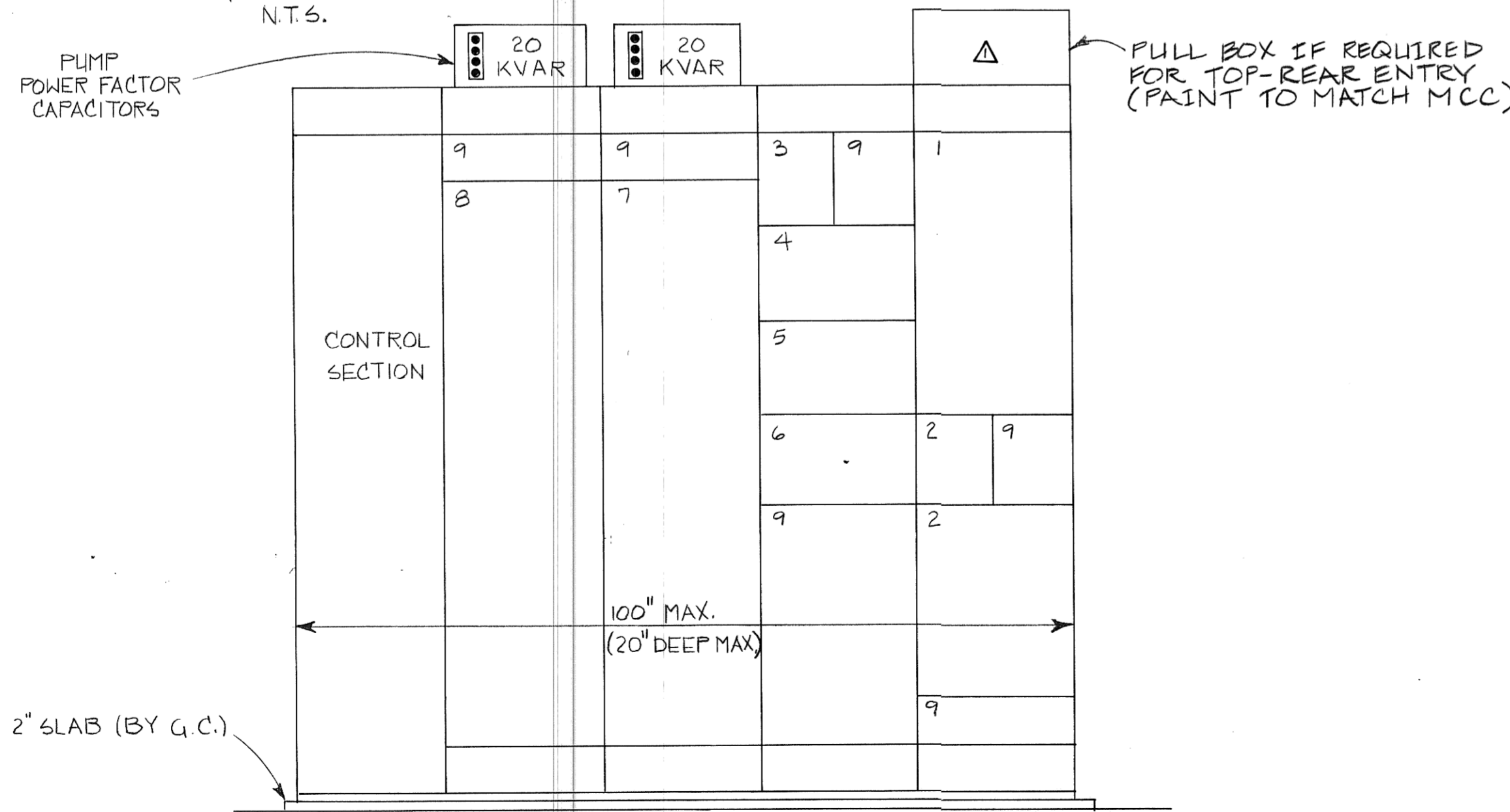


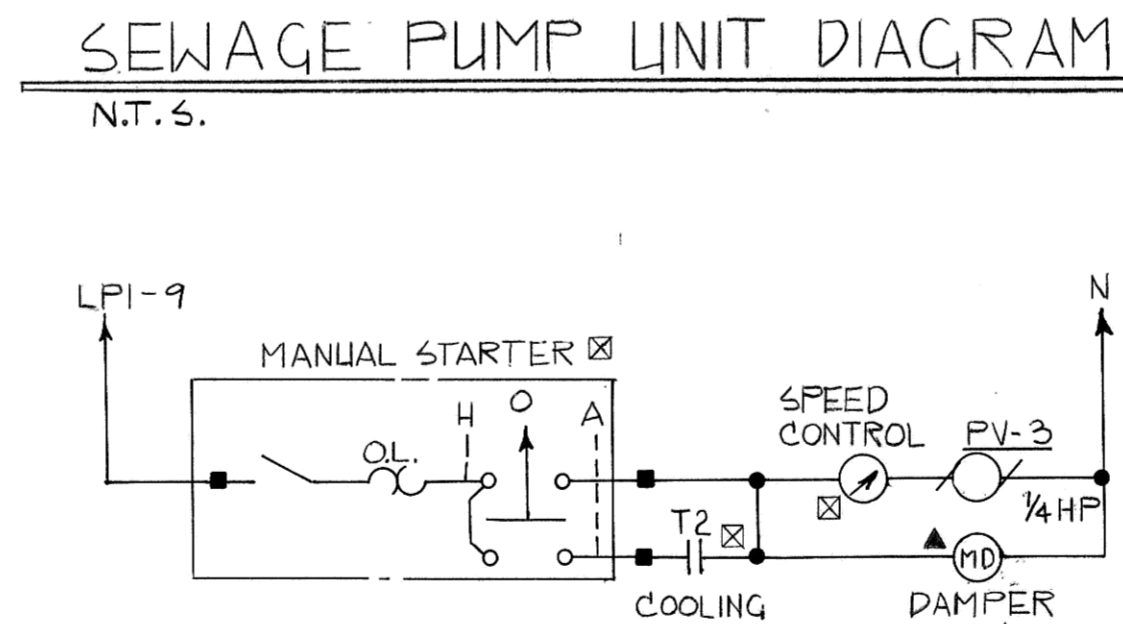
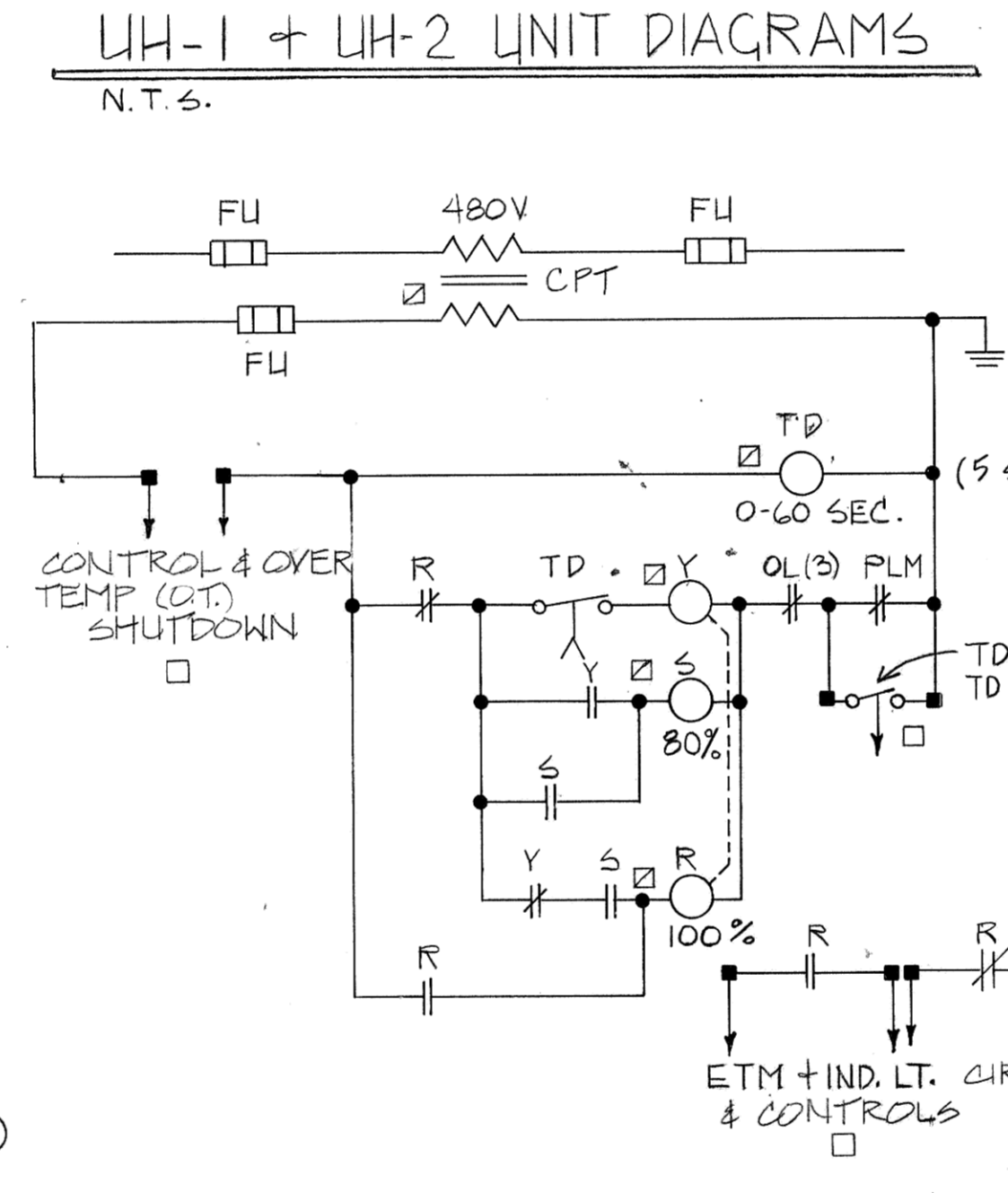
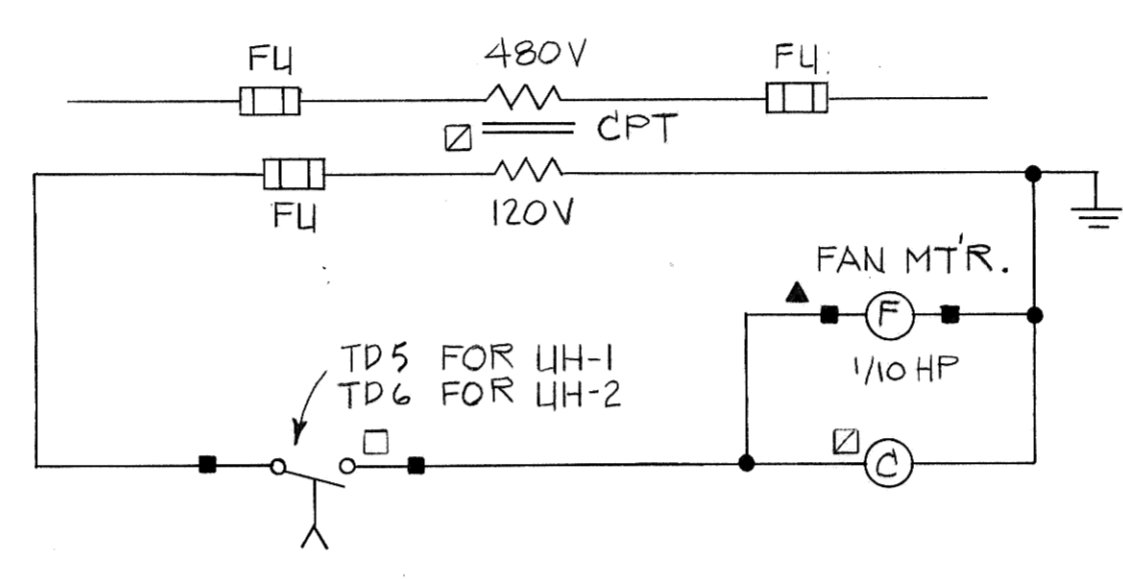
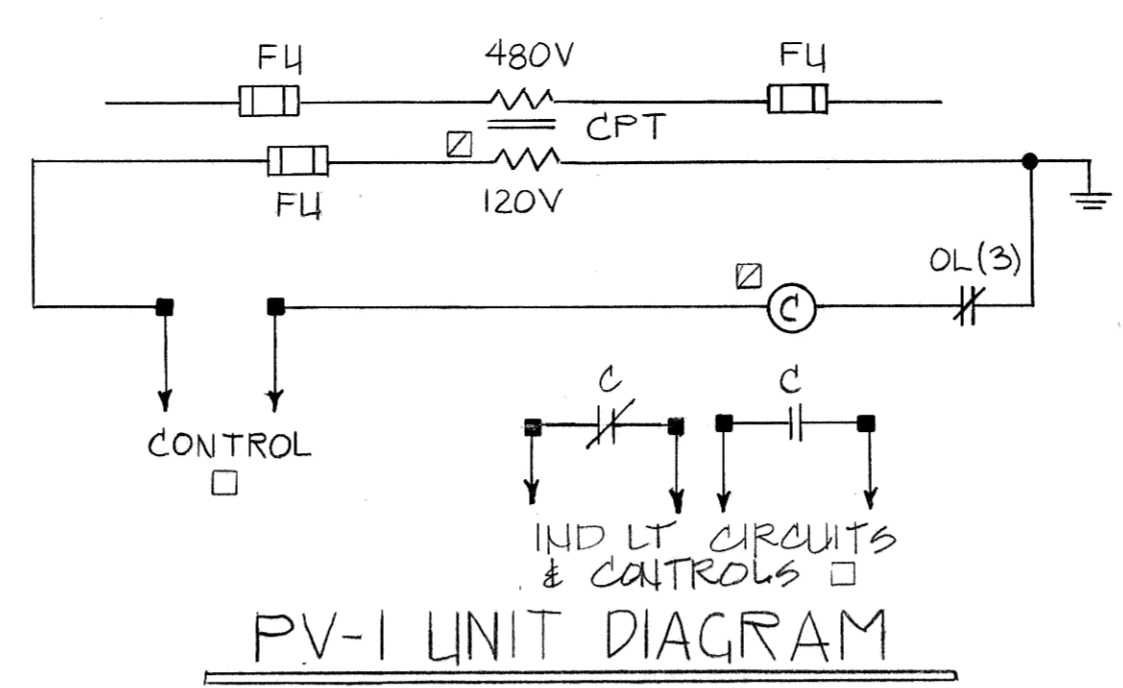
MCC



NEW PUMP STATION ONE-LINE DIAGRAM



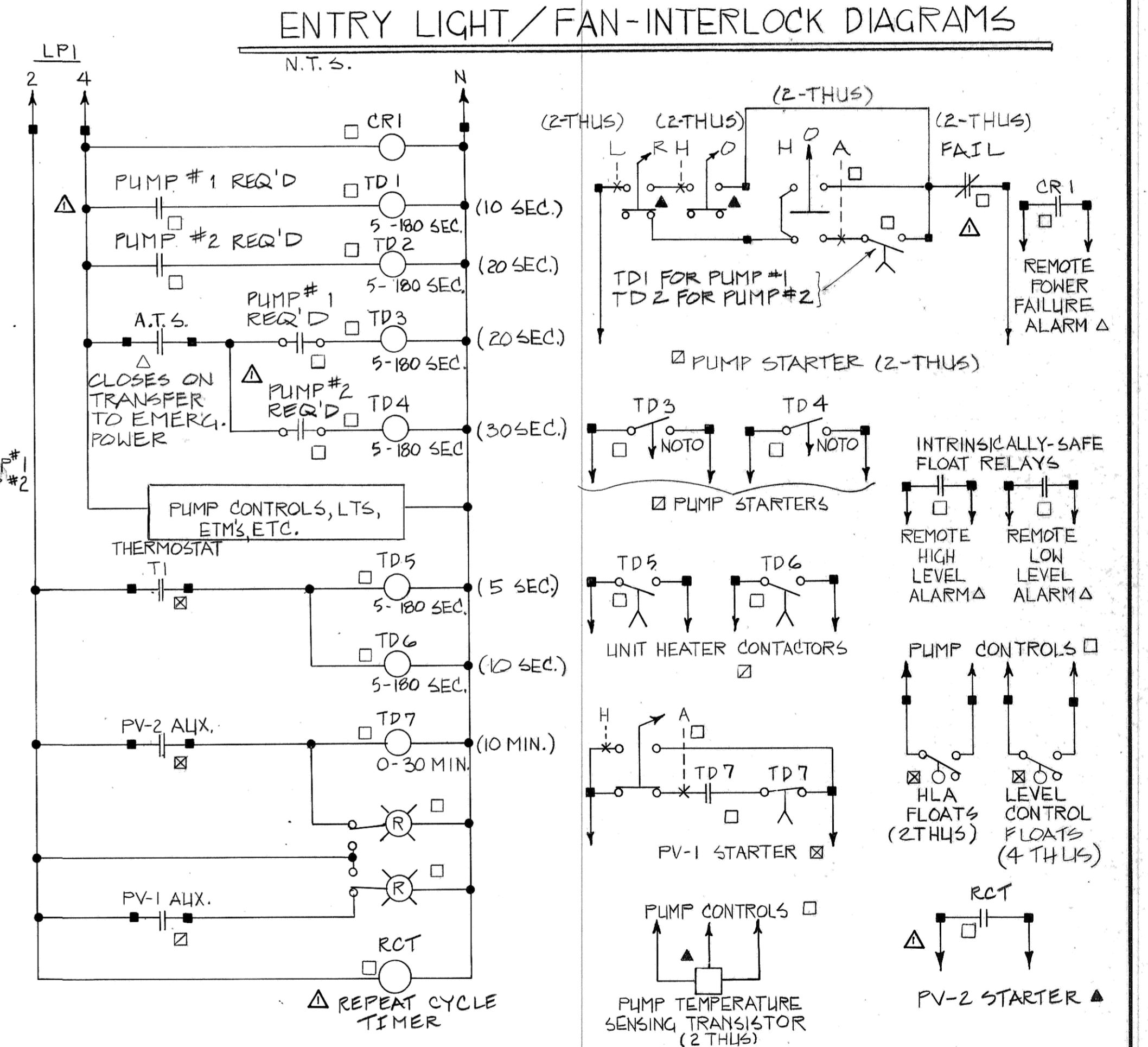
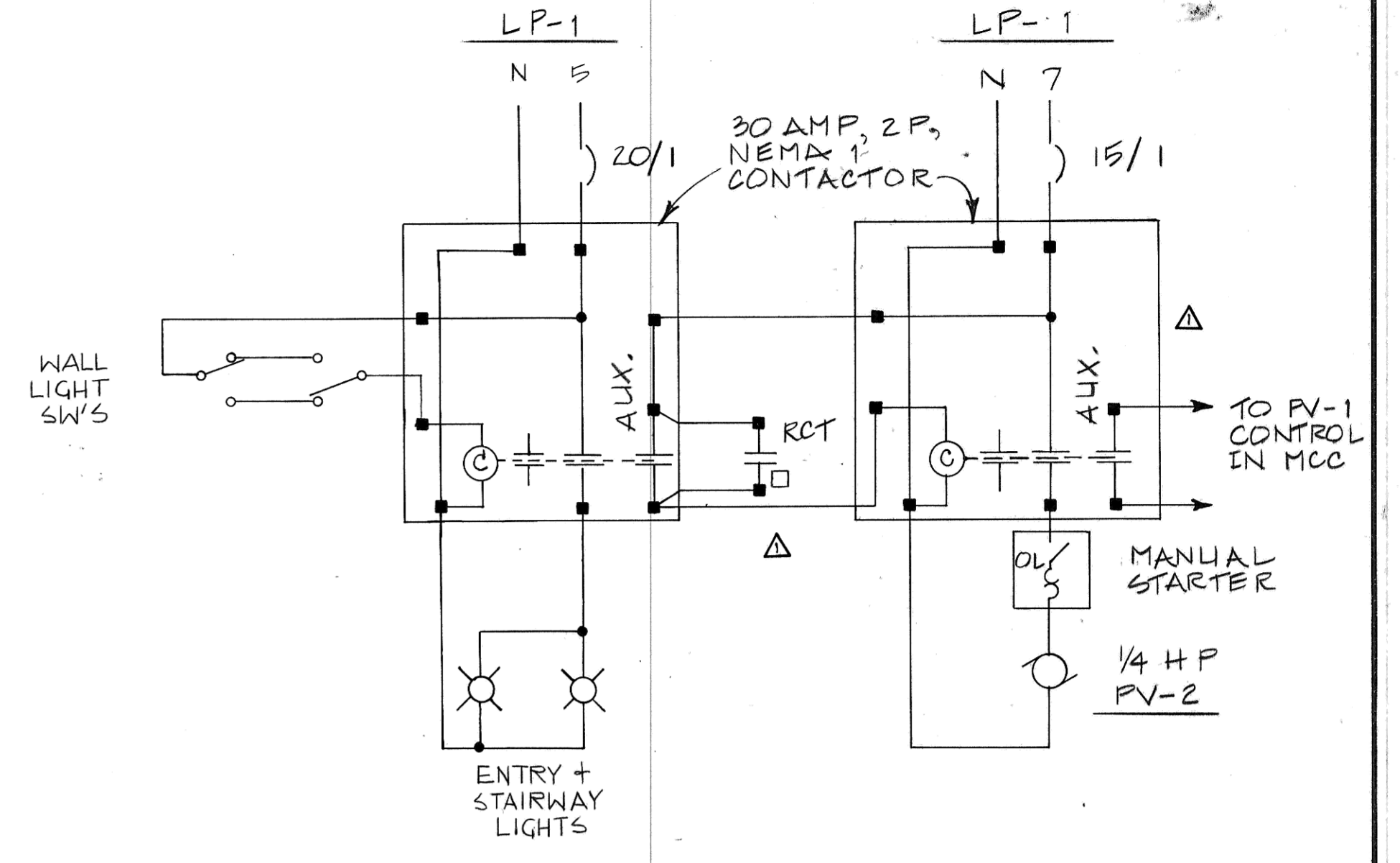
MCC ELEVATION



NOTE: REFER TO SPECIFICATIONS FOR INSULATION TYPES REQUIRED.

LOCATION KEY

- IN CONTROL SECTION
- ▣ IN STARTER OR MCC UNIT
- ▤ WHERE SHOWN ON PLANS
- △ IN EXIST. PUMP STATION
- ▲ AT MOTOR OR EQUIP.



NOTE: = TERMINAL BLOCK/LUG CONNECTION TO REMOTE EQUIPMENT

REV.	DATE	DESCRIPTION	BY
1	3/27/84	ADDENDUM NO. 1	ERJ

MANDAN INTERCEPTOR 1984

MANDAN, NORTH DAKOTA

MASTER PUMPING STATION ELECTRICAL DIAGRAMS

ULTEIG ENGINEERS, INC. CONSULTING ENGINEERS • ARCHITECT FARGO • BISMARCK • MINNEAPOLIS

DRAWN BY: D.R.A. SCALE: AS SHOWN PROJECT NO. 4241.00

CHECKED BY: D.A.J. DATE: MAY 1984

APPROVED BY: D.A.J. SHEET E-5 of

Record Drawing

