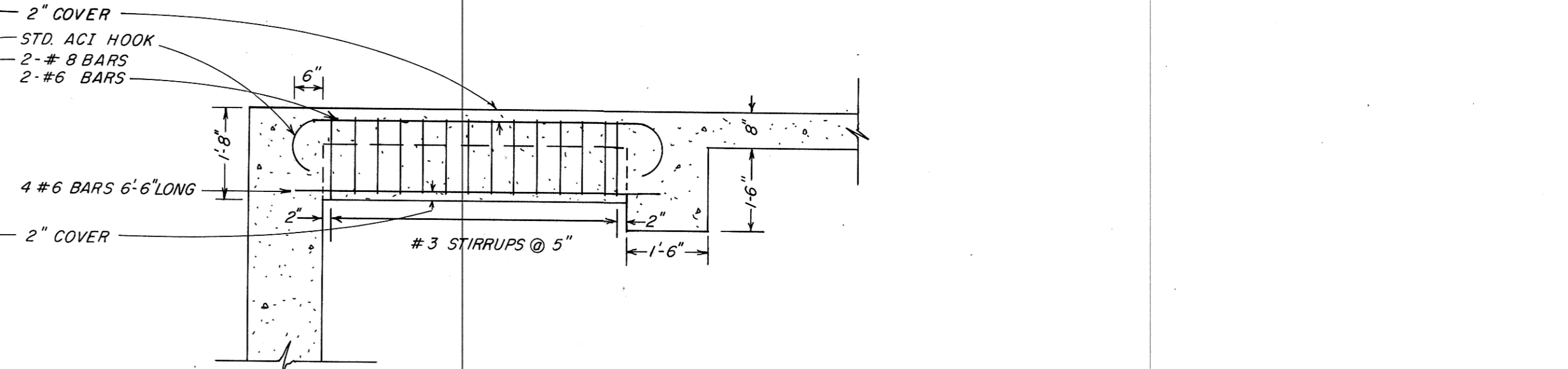
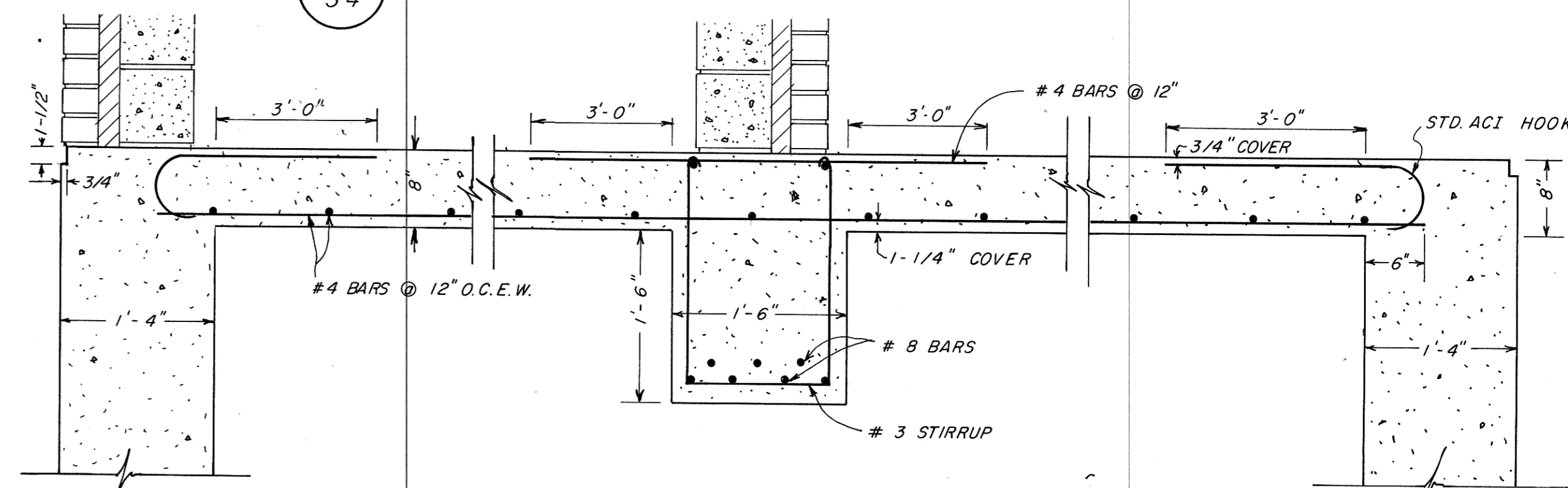


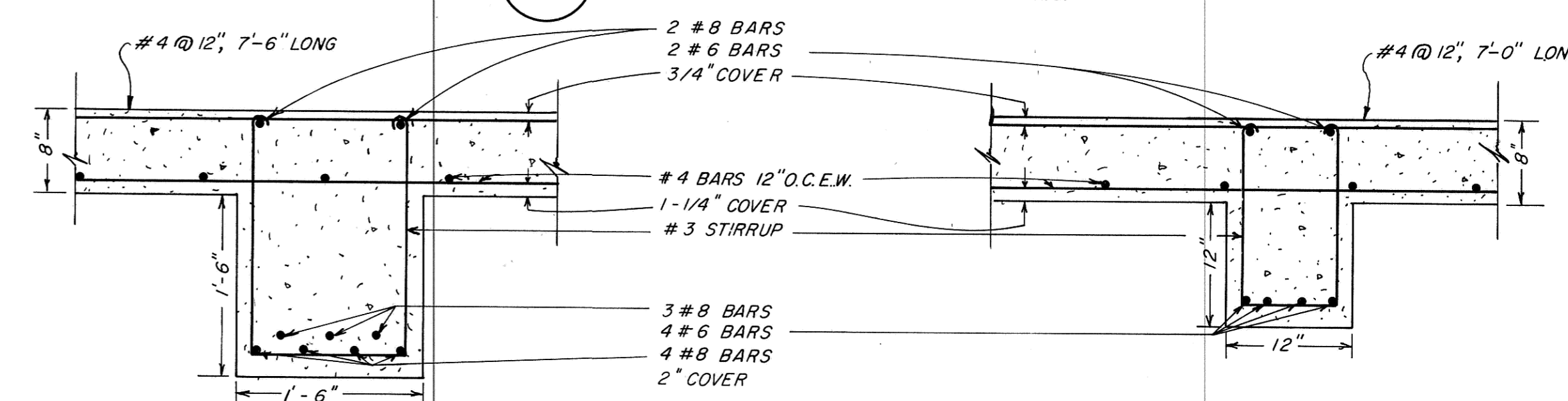
1
S4
BEAM DETAIL



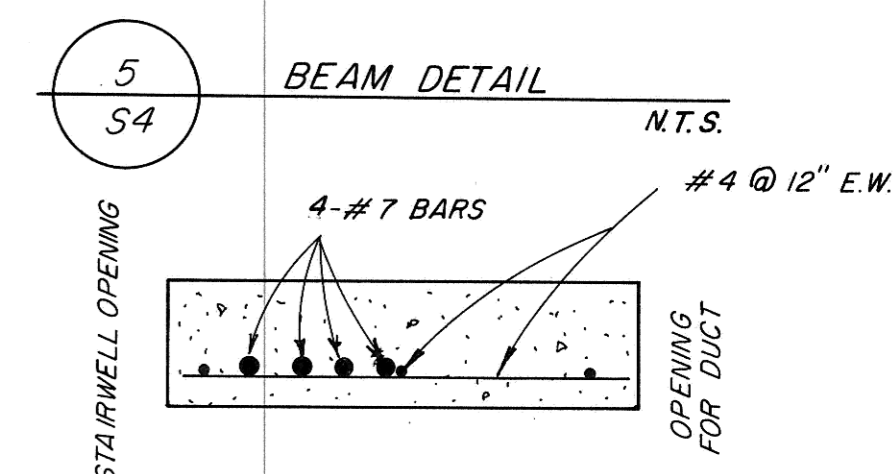
2
S4
BEAM DETAIL



3
S4
FLOOR SLAB DETAIL (TYPICAL)
N.T.S.

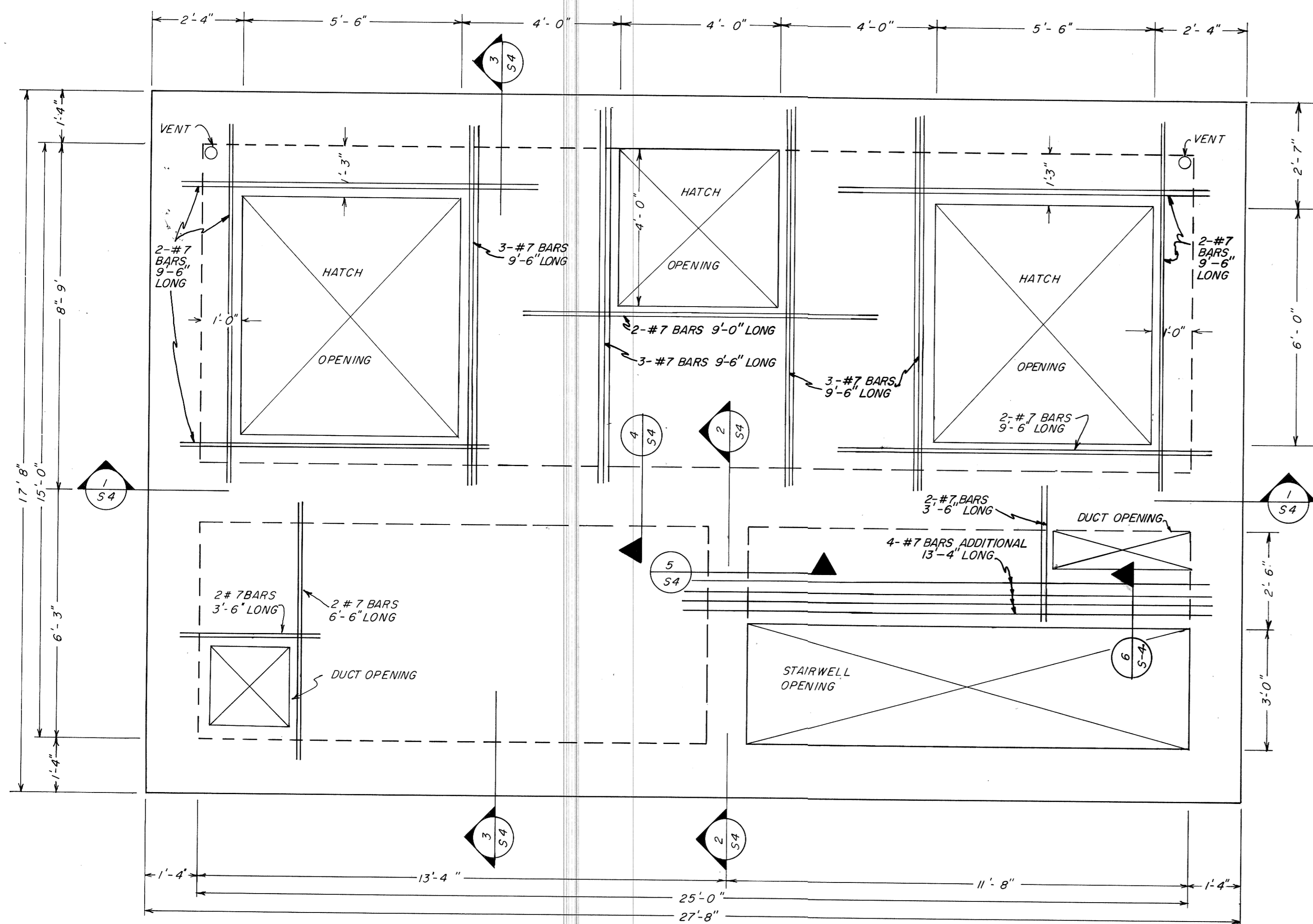


4
S4
BEAM SECTION
N.T.S.

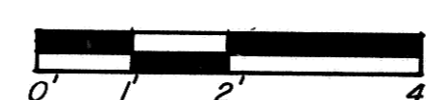
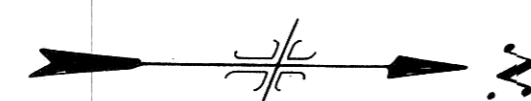


5
S4
BEAM DETAIL
N.T.S.

6
S4
EDGE DETAIL
N.T.S.



STRUCTURAL FLOOR PLAN AT ELEVATION 1641.00



Record Drawing



PHASE III

REV.	DATE	DESCRIPTION	BY

MANDAN INTERCEPTOR 1984
MANDAN, NORTH DAKOTA

MASTER PUMPING STATION
STRUCTURAL FLOOR PLAN AT ELEVATION 1641.00

ULTEIG ENGINEERS, INC. CONSULTING ENGINEERS • ARCHITECT
FARGO • BISMARCK • MINNEAPOLIS

DRAWN BY: D.J.M. SCALE: AS SHOWN PROJECT NO. 4241
CHECKED BY: S.D. DATE: MAY 1984 SHEET S4 of

