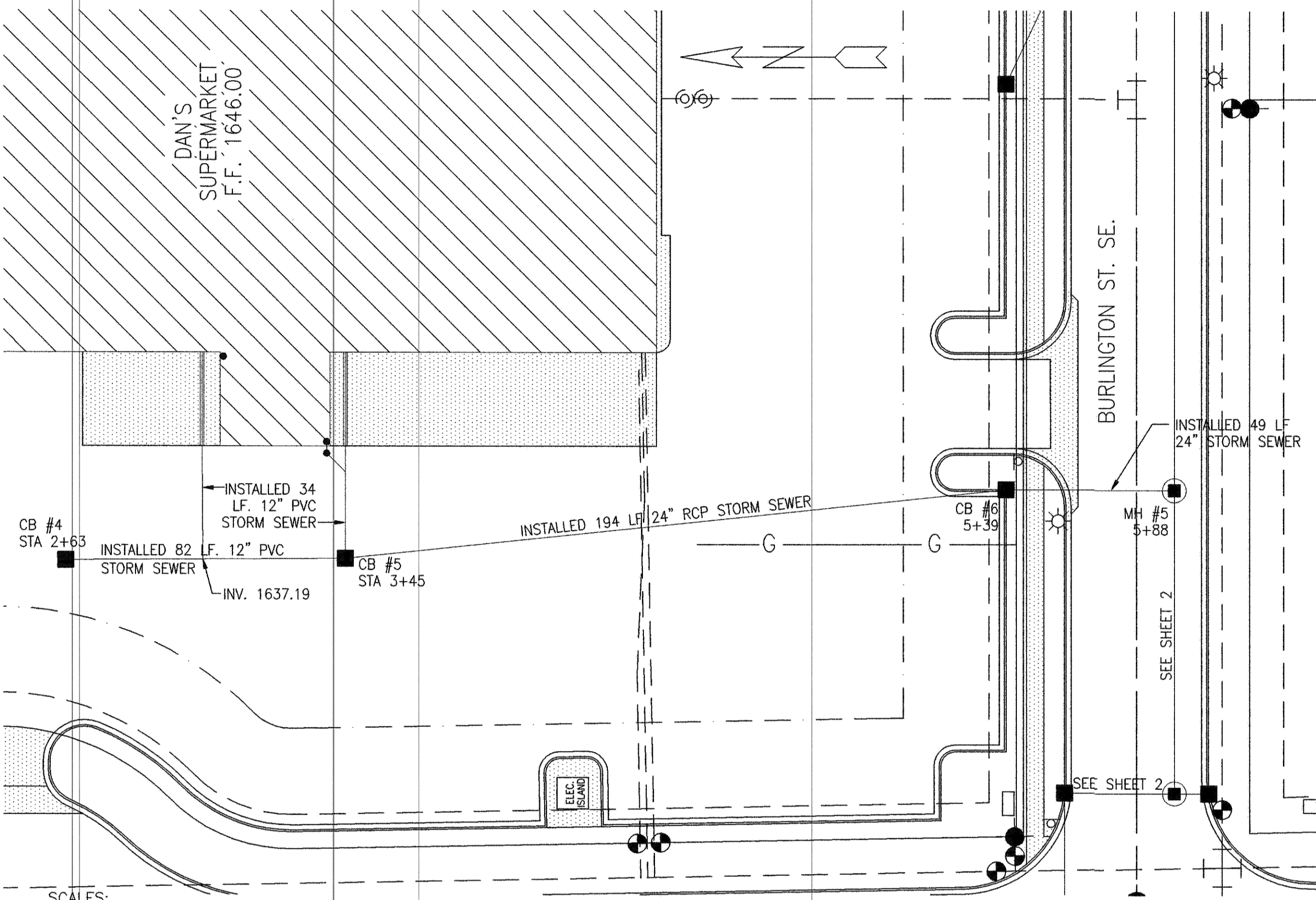
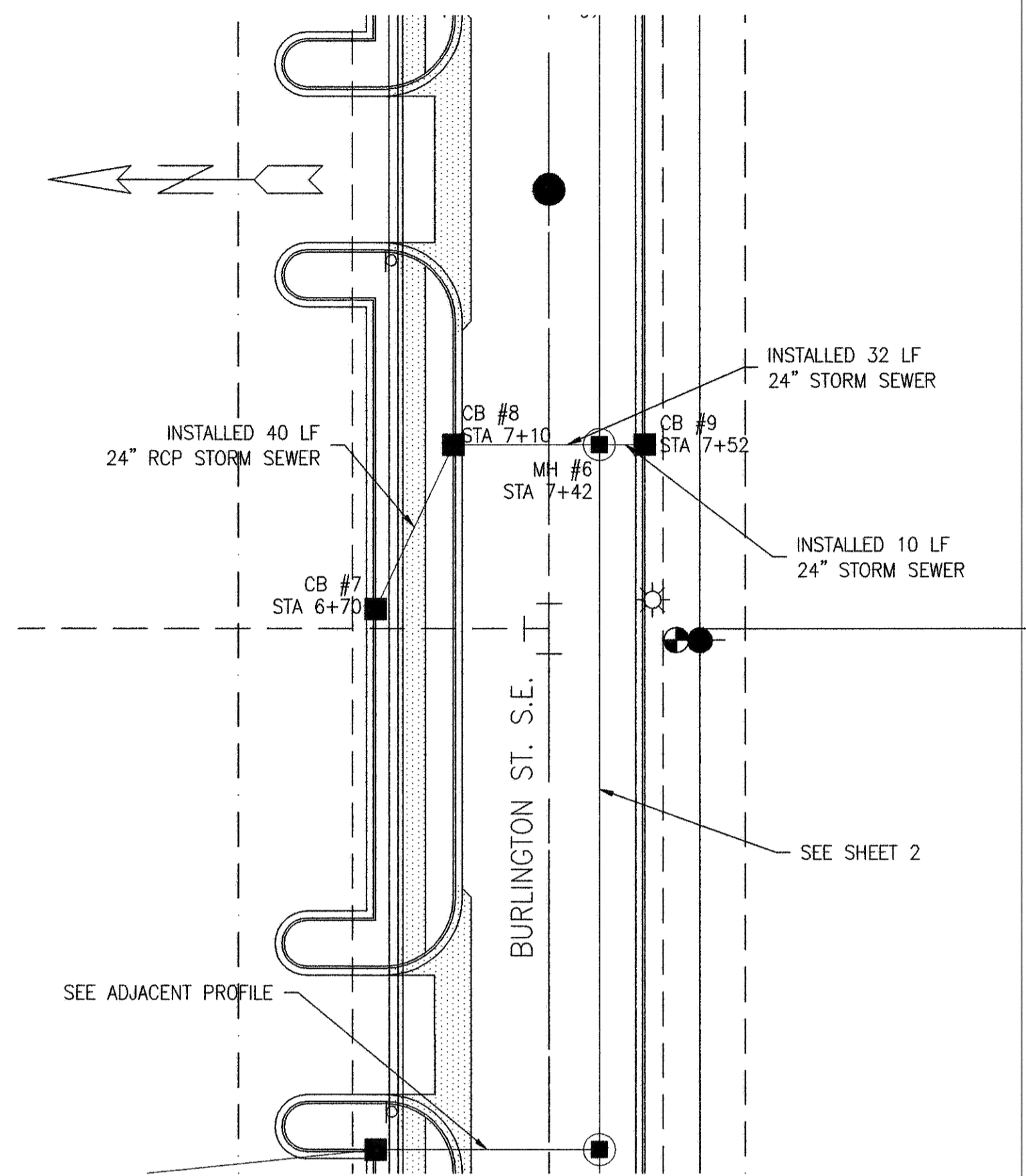


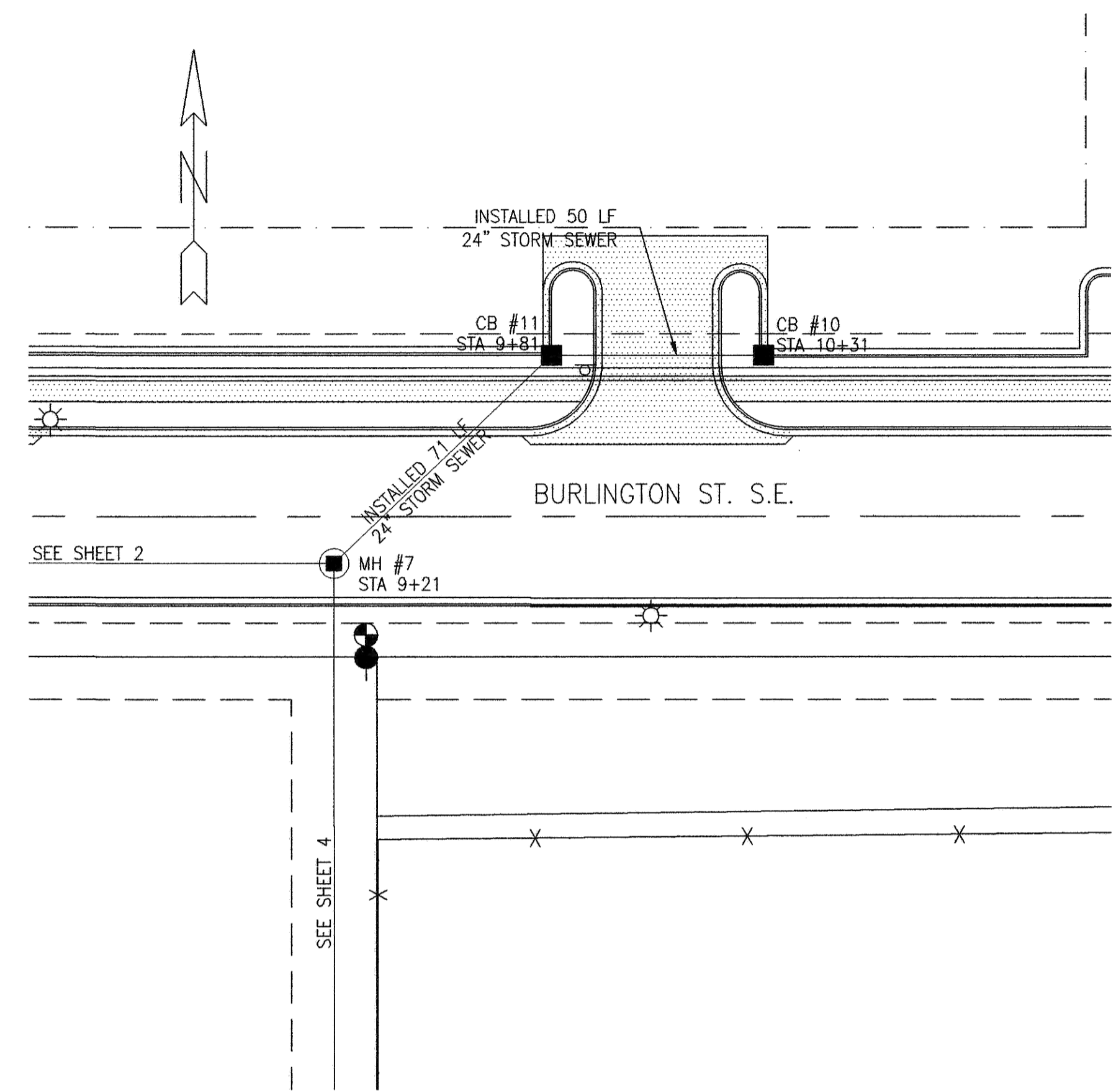
STORM SEWER PLANS ADJACENT TO BUILDING



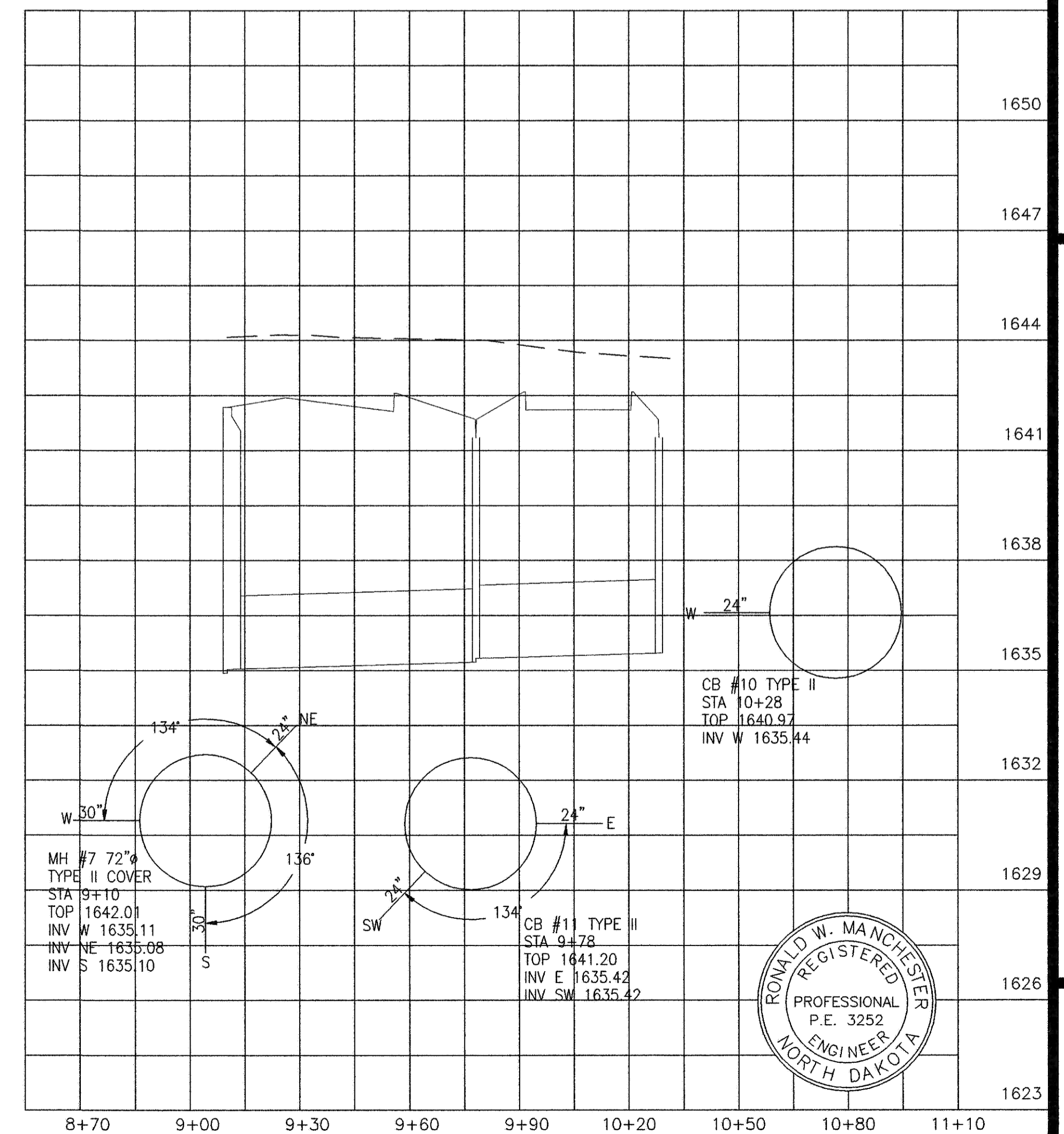
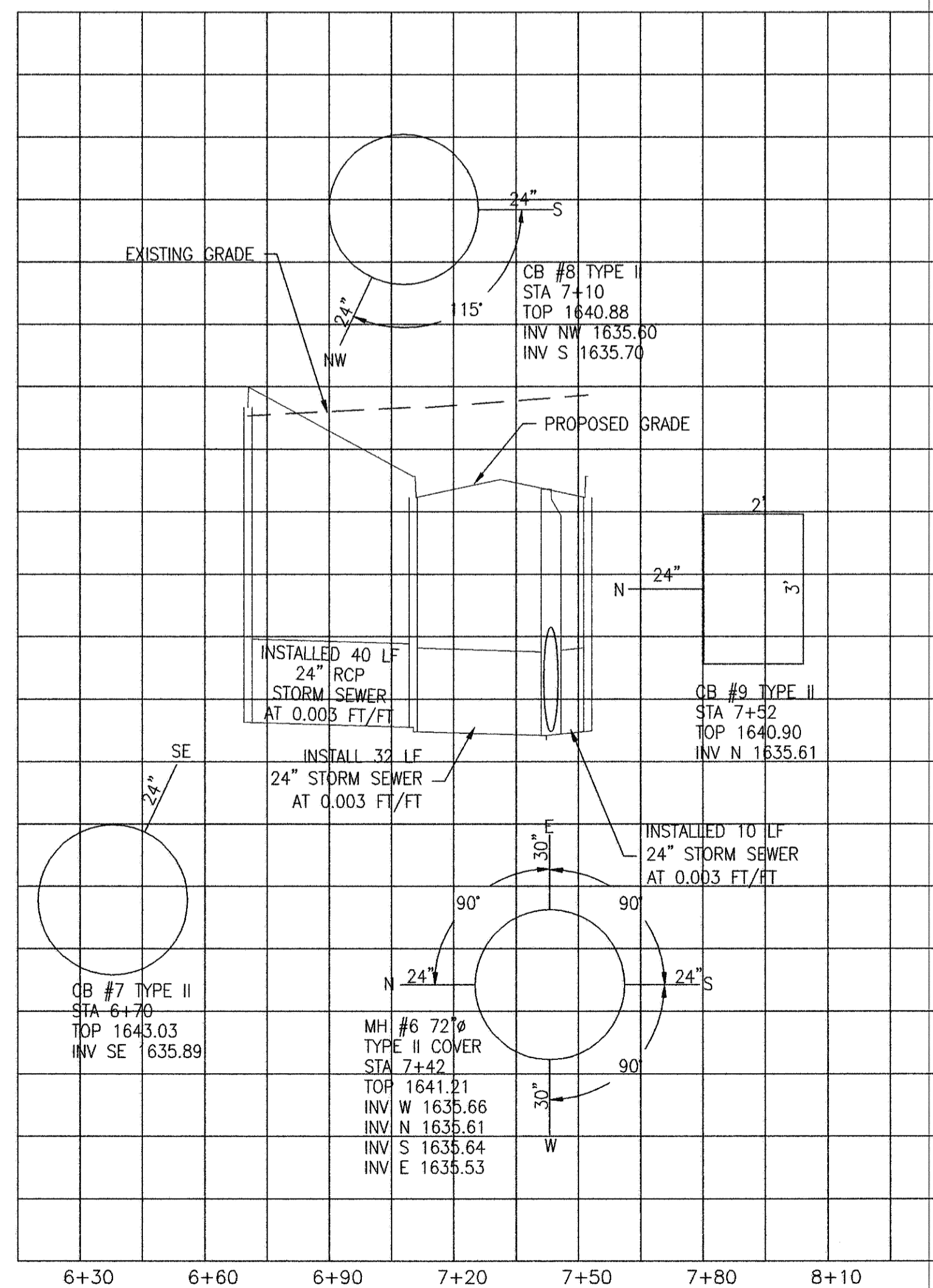
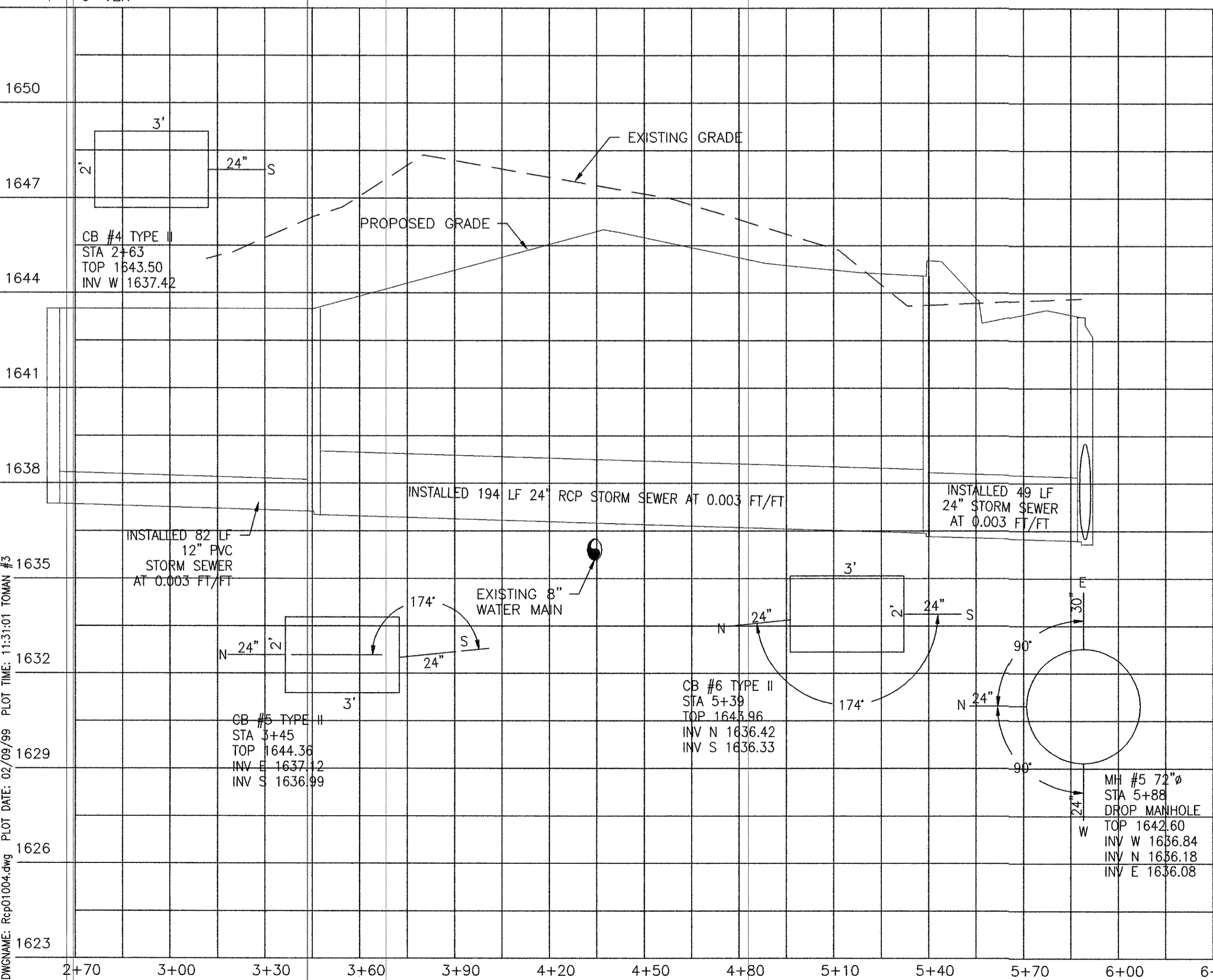
SCALES:
1" = 60' HOR
1" = 6' VER



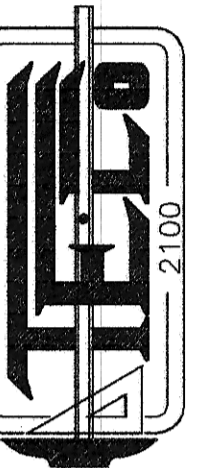
SCALES:
1" = 60' HOR
1" = 6' VER



SCALES:
1" = 60' HOR
1" = 6' VER



TOMAN ENGINEERING COMPANY
CONSULTING CIVIL & ENVIRONMENTAL ENGINEERS
908 2ND ST. NW • WABASH, NORTH DAKOTA 58551 • (701) 463-4440



PROJECT:
ADJACENT TO BUILDING
STORM SEWER PLANS
PLAN & PROFILES

BY DATE
AR 2/93

NO. 1
REVISIONS
AS-BUILT DRAWINGS

DATE 11/14/97

NO. 1
REVISIONS
AS-BUILT DRAWINGS

DATE 11/14/97

NO. 1
REVISIONS
AS-BUILT DRAWINGS

DATE 11/14/97



SHEET NUMBER
3
OF 4 SHEETS