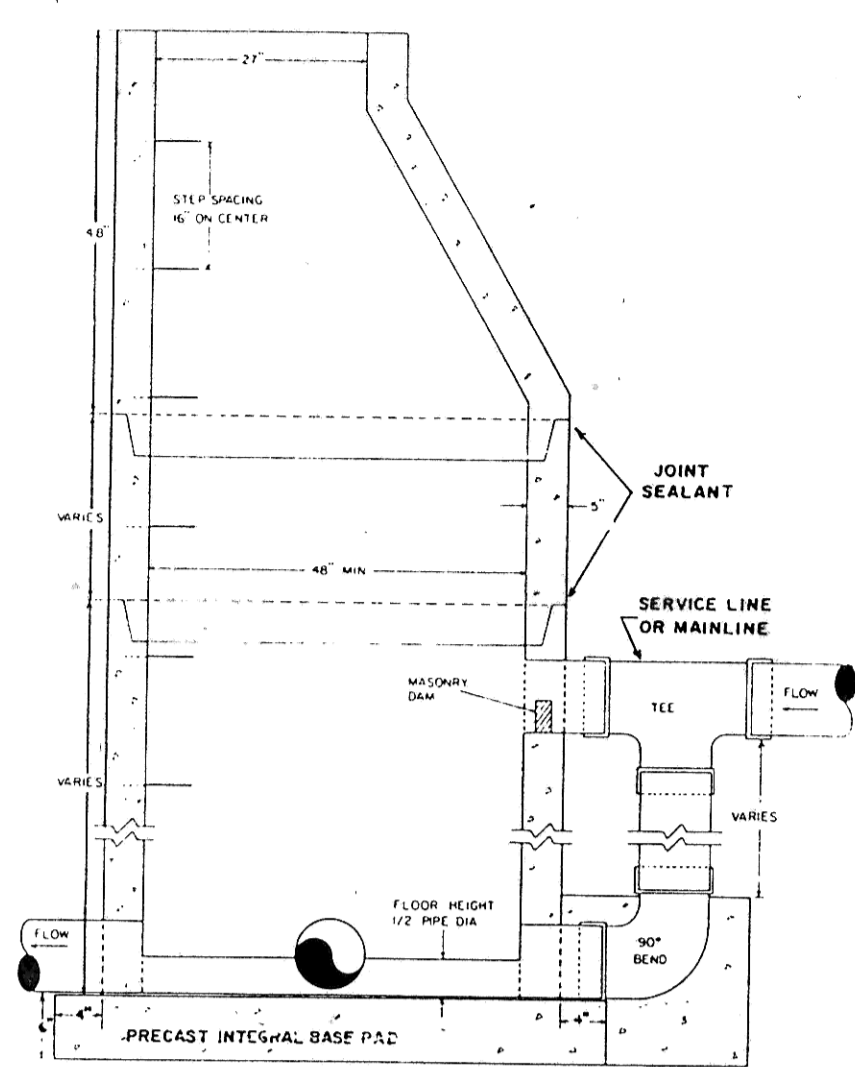
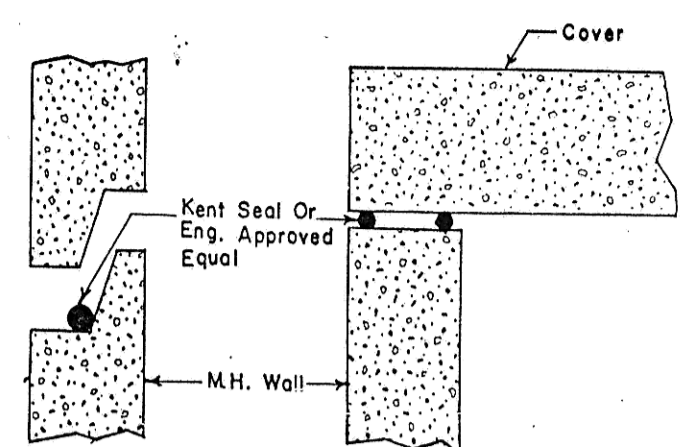


TYPICAL MANHOLE
SCALE: 1"=2'

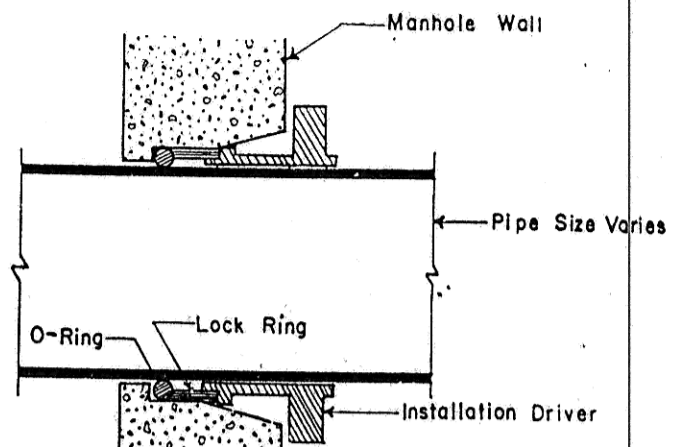


TYPICAL DROP OR JUNCTION MANHOLE
SCALE: 1"=2'

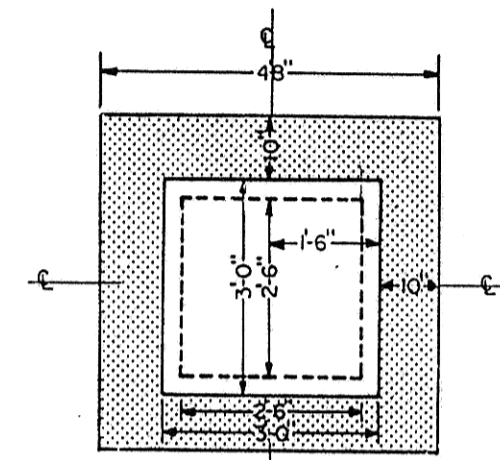


JOINT SEALS
No Scale

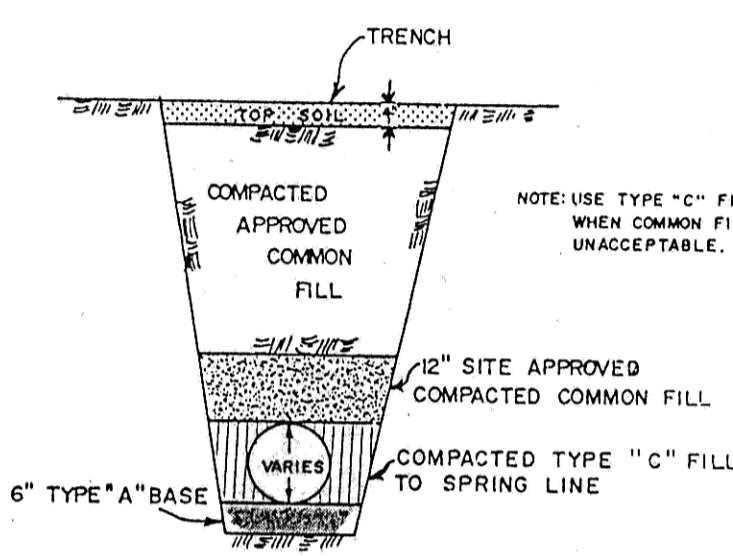
NOTE: Similar To Crestex Cre-Seal Or Eng. Approved Equal.



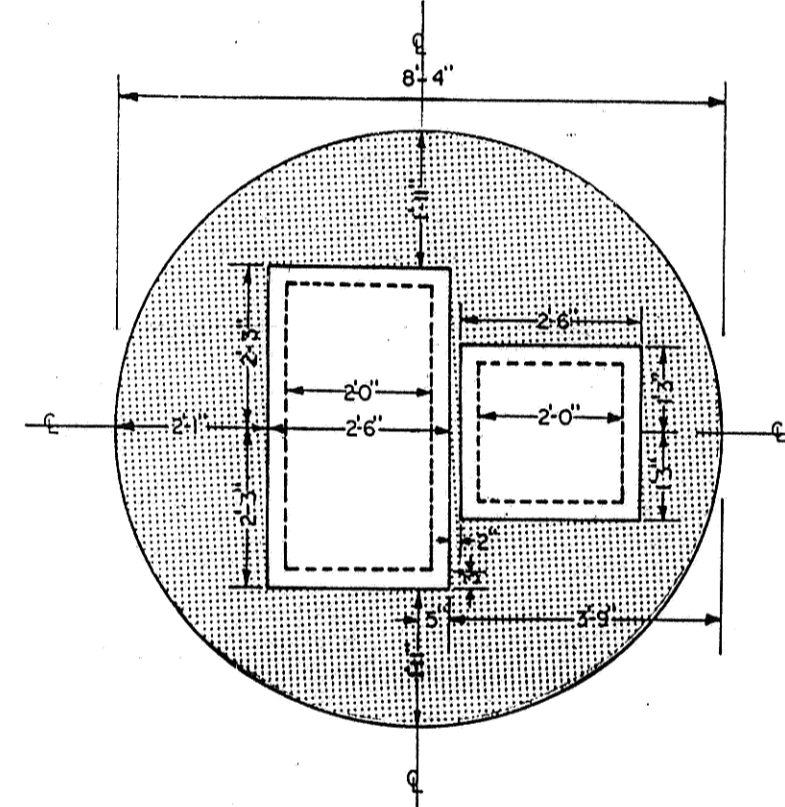
WATER TIGHT PIPE CONNECTIONS
No Scale



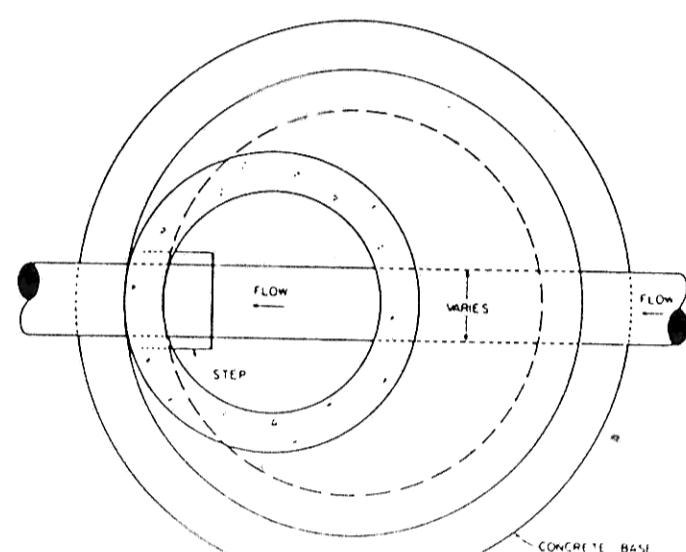
VALVE PIT ACCESS COVER DETAIL
SCALE: 3/8"=1'-0"



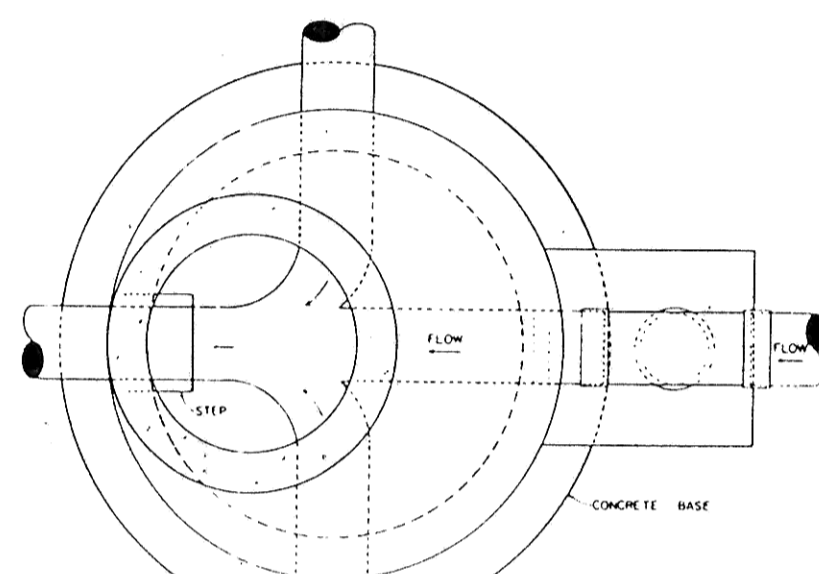
TYPICAL FILL OVER PIPE



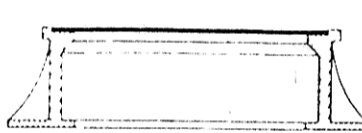
CONCRETE MARKER DETAILS
NOT TO SCALE



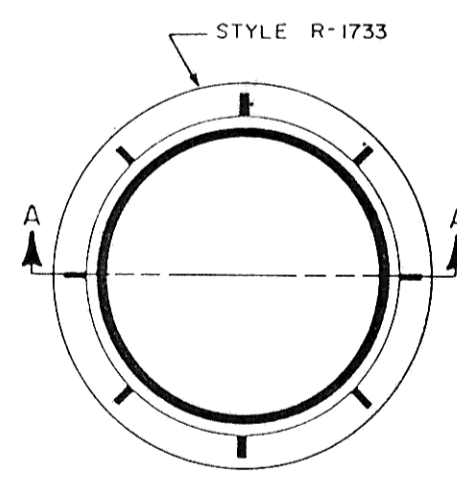
PLAN VIEW



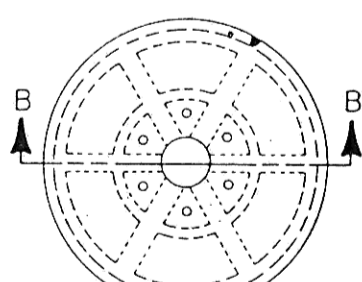
PLAN VIEW



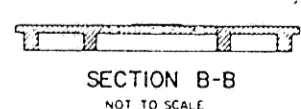
SECTION A-A
NOT TO SCALE



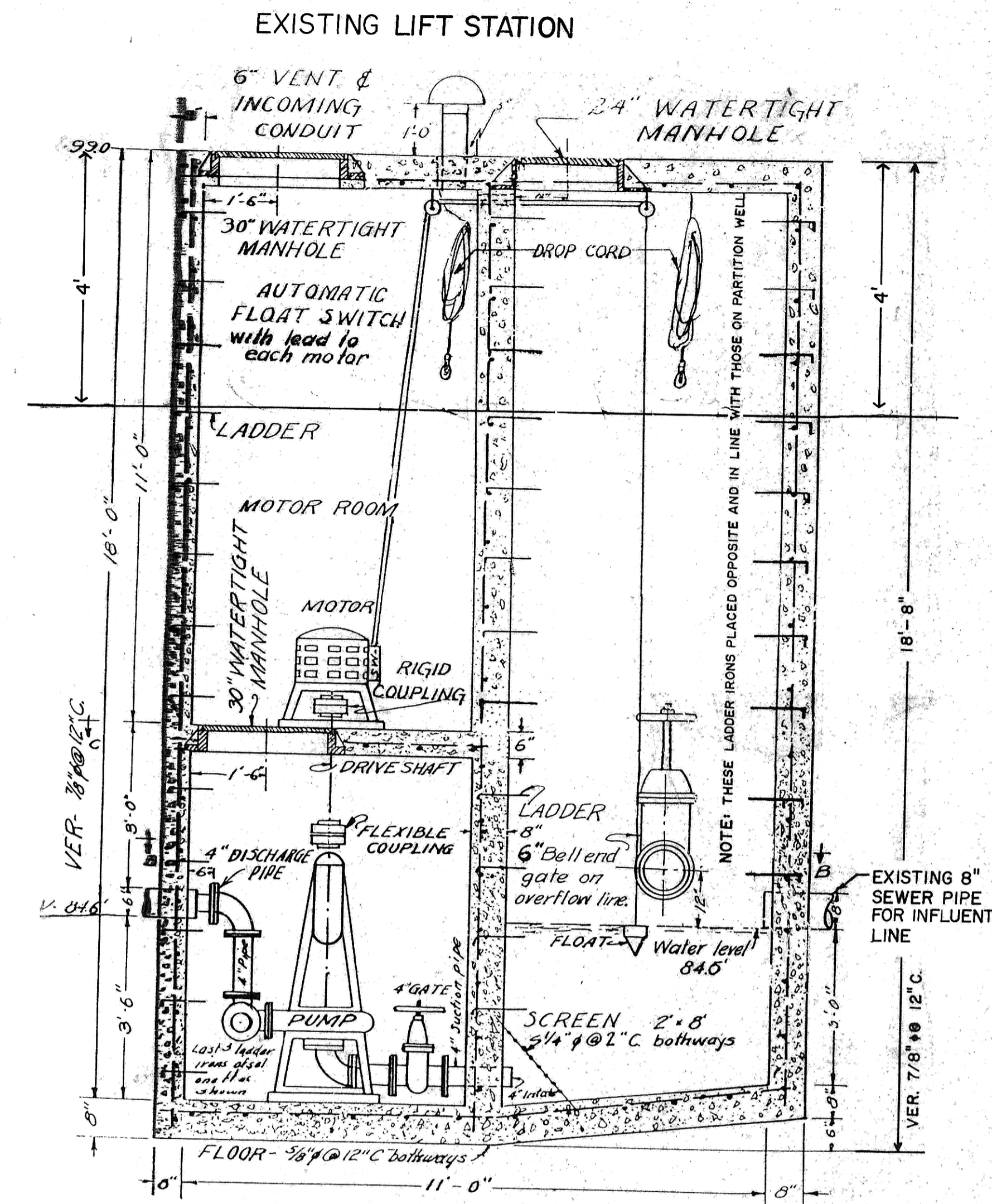
STANDARD MANHOLE RING
NOT TO SCALE



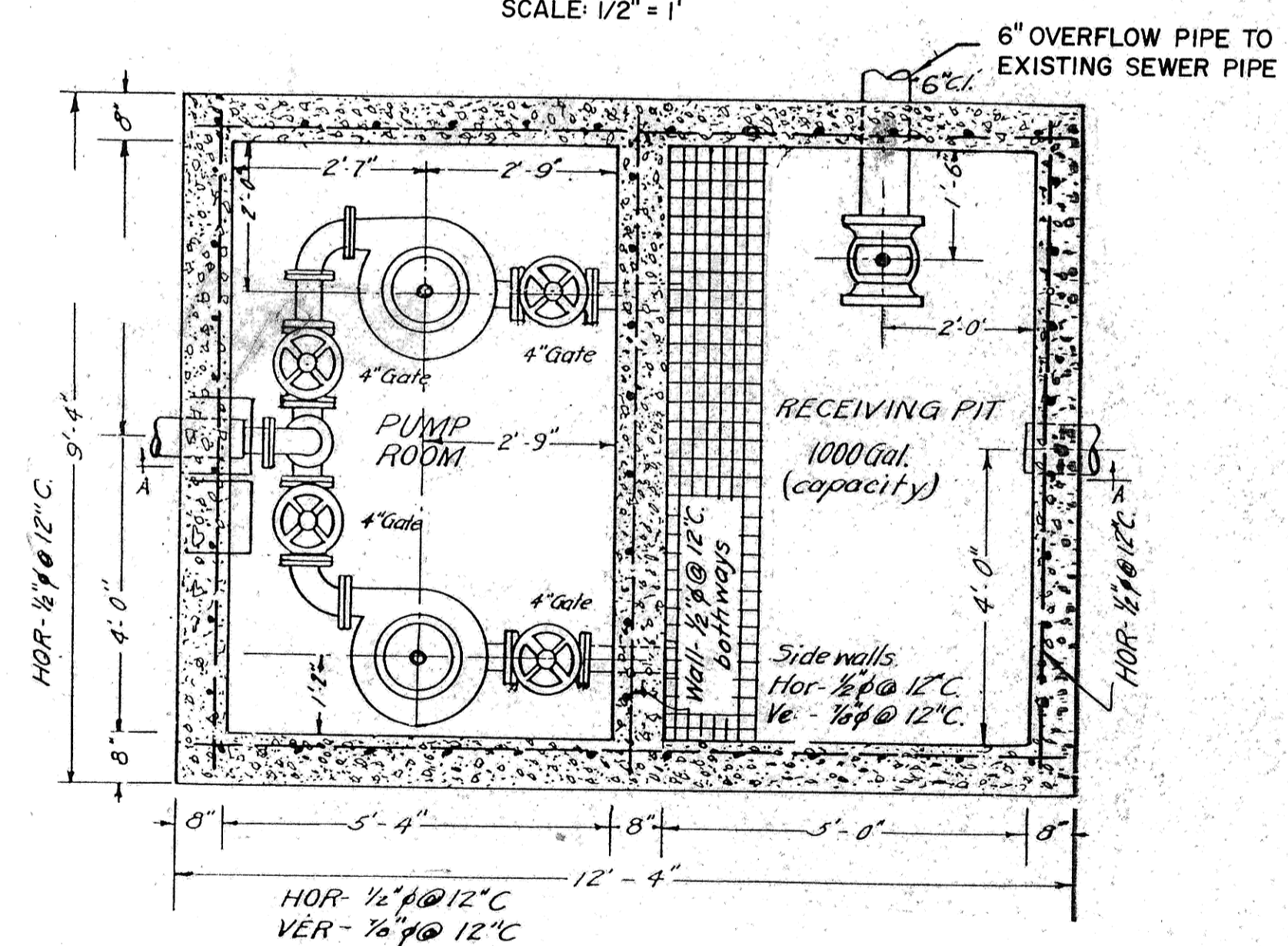
STANDARD MANHOLE COVER
NOT TO SCALE



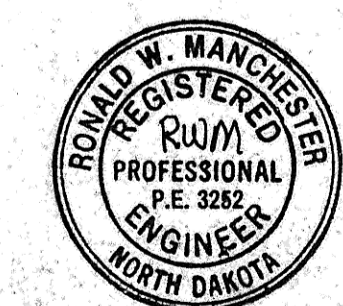
SECTION B-B
NOT TO SCALE



SECTION AA
SCALE: 1/2"=1'



SECTION BB
SCALE: 1/2"=1'



PROJECT NO.	1089	 TOLAN ENGINEERING COMPANY CONSULTING CIVIL & ENVIRONMENTAL ENGINEERS 100 WEST 10TH AVENUE, SUITE 100, BISMARCK, NORTH DAKOTA 58102
DATE	7-91	
DETAIL SHEET		