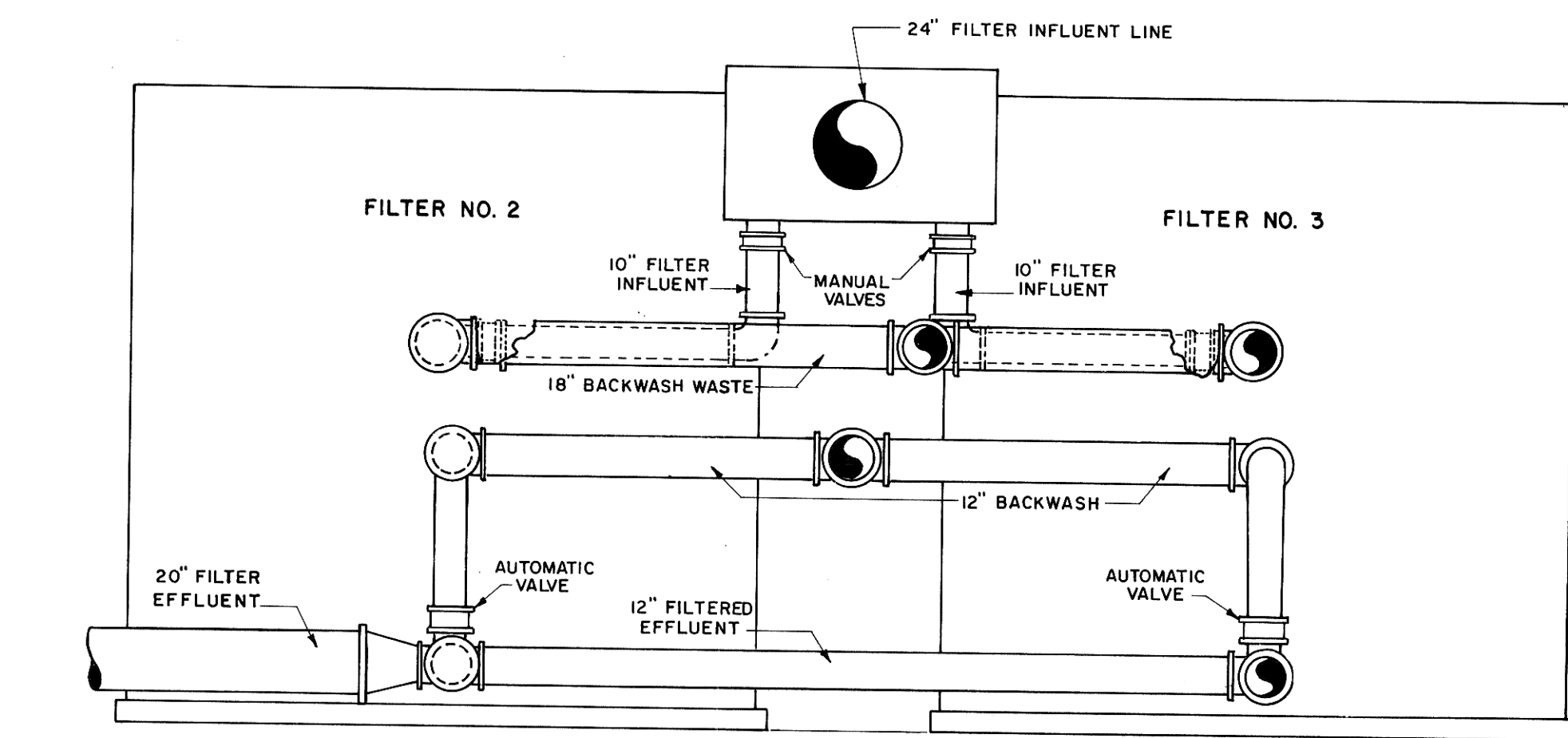
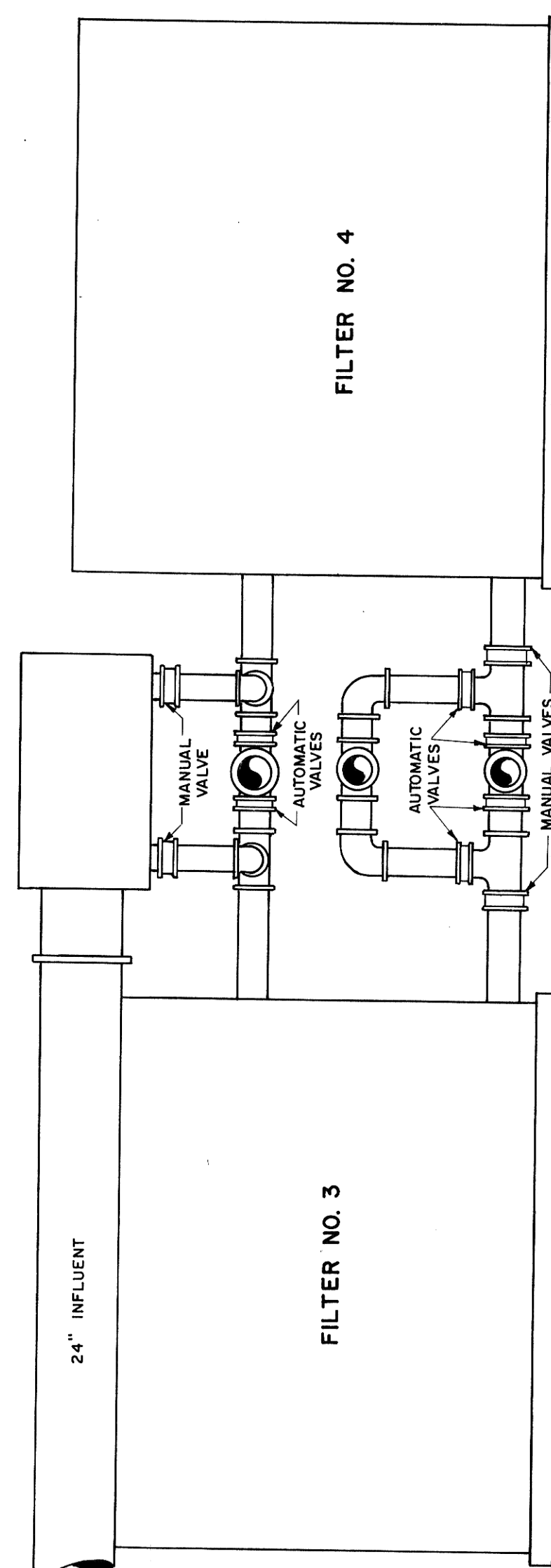


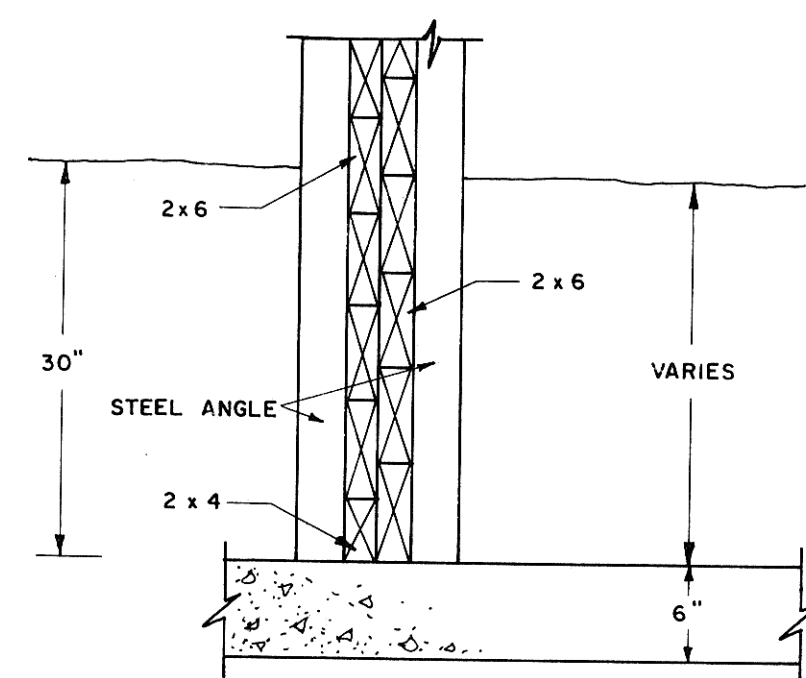
TOP VIEW OF FILTER LAYOUT
SCALE: 1/4"=1'-0"



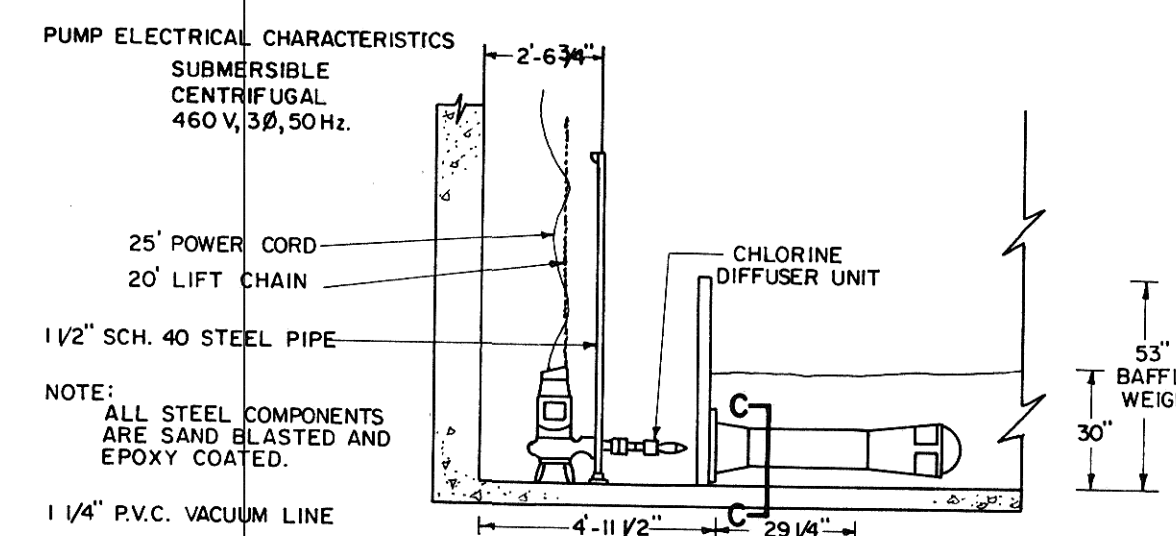
SECTION BB
SCALE: 1/4"=1'-0"



SECTION AA
SCALE: 1/4"=1'-0"

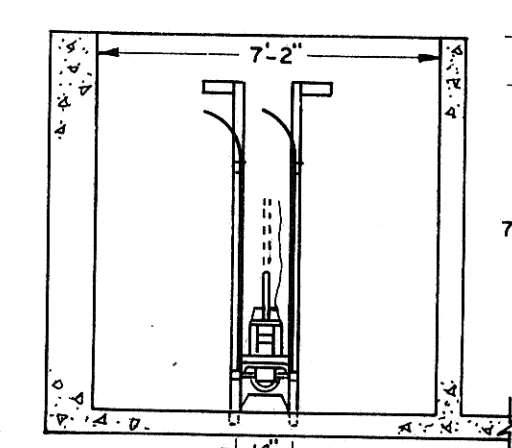


WOOD DAM DETAIL

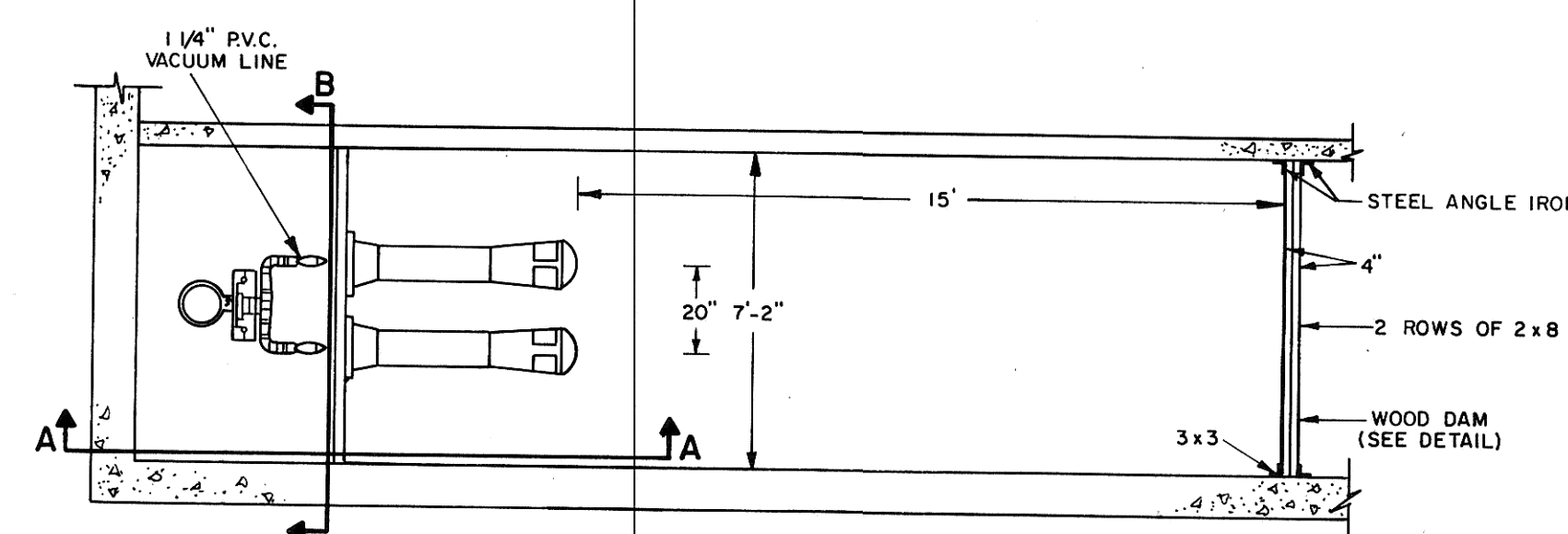


SECTION AA

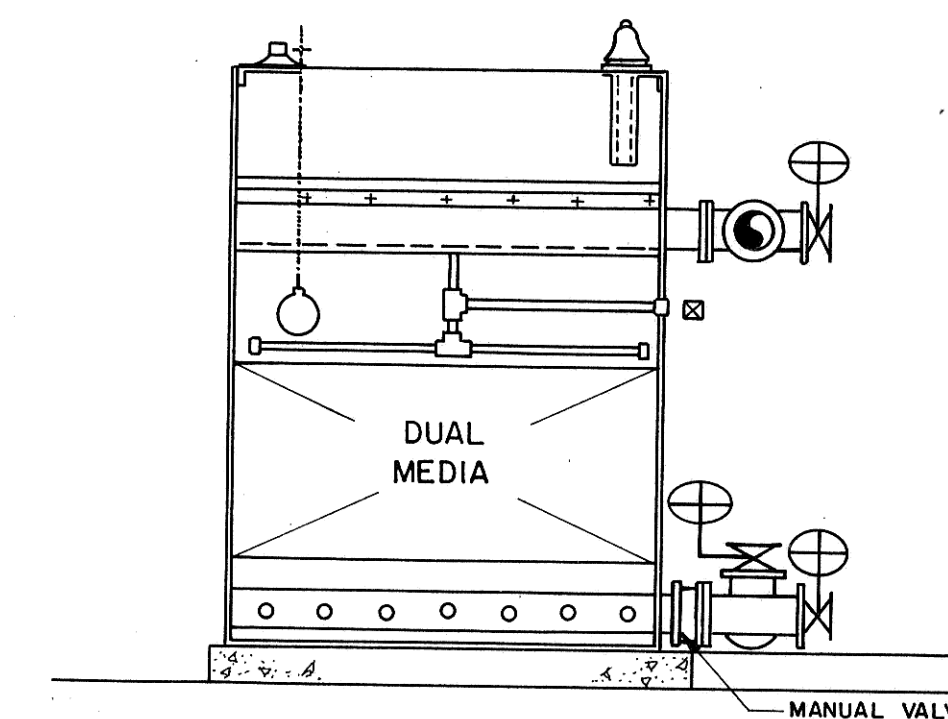
CHLORINATOR DETAILS



SECTION BB

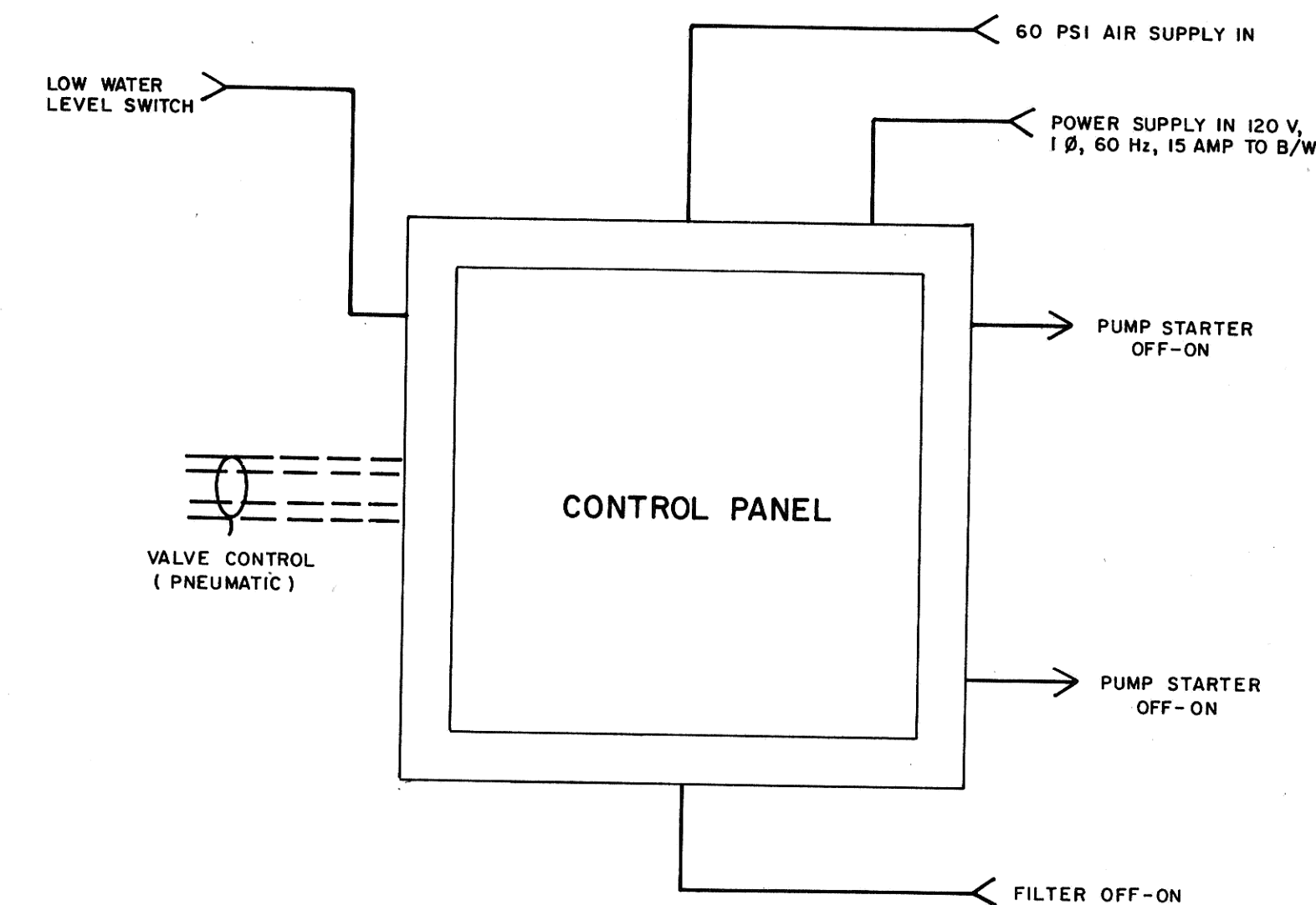


PLAN VIEW



TYPICAL SECTION OF FILTER

| OUTLET | INLET | EFFLUENT | INFLUENT | BACKWASH | BACKWASH | SURFACE |
|--------|-------|----------|----------|----------|----------|---------|
| 12" | 10" | 10" | 10" | 12" | 18" | 2 1/2" |



JOB: **UPGRADING WASTEWATER TREATMENT FACILITIES
INCREMENT NO. 1 E.P.A. NO. C 380325-03
CONTRACTOR'S RECORD DRAWINGS (AS BUILT)**

FILE NO. _____ DATE: **SEPTEMBER 1976**

REVISIONS: _____

SHEET NO. 14 OF 23 SHEETS

DRAWN BY: *JP*

Toman Engineering Company
Civil & Environmental Consultants
P. O. Box 708 P. O. Box 852
Mandan, ND Boissevain, Man RKO OEO

CHECKED BY: _____